

ROTEL *hifi*

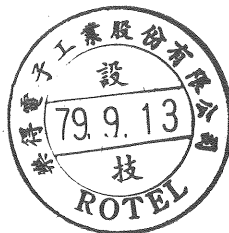
AM/FM STEREO TUNER

RT-845AX

LW/MW/FM STEREO TUNER

RT-845AXL

owners manual



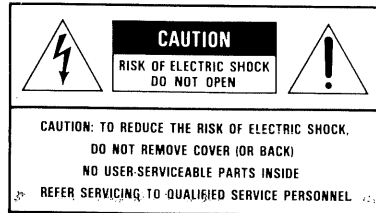
ENGLISH	1
DEUTSCH	5
FRANCAIS	8

WARNING
TO PREVENT FIRE OR SHOCK HAZARD,
DO NOT EXPOSE THIS APPLIANCE TO
RAIN OR MOISTURE

Write your SERIAL NUMBER here.

The number is located near the name plate on the rear panel.

SAFETY INSTRUCTIONS



The lightning flash with arrowhead symbol, within an equilateral triangle, is intended to alert the user to the presence of uninsulated "dangerous voltage" within the product's enclosure that may be of sufficient magnitude to constitute a risk of electric shock to persons.

The exclamation point within an equilateral triangle is intended to alert the user to the presence of important operating and maintenance (servicing) instructions in the literature accompanying the appliance.

ITEM 6A: PORTABLE WARNING



S3125A

"Note to CATV system installer:

This reminder is provided to call the CATV system installer's attention to Article 820-22 of the NEC that provides guidelines for proper grounding and, in particular, specifies that the cable ground shall be connected to the grounding system of the building, as close to the point of cable entry as practical."

- Read Instructions** — All the safety and operating instructions should be read before the appliance is operated.
- Retain Instructions** — The safety and operating instructions should be retained for future reference.
- Heed Warnings** — All warnings on the appliance and in the operating instructions should be adhered to.
- Follow Instructions** — All operating and use instructions should be followed.
- Water and Moisture** — The appliance should not be used near water — for example, near a bathtub, washbowl, kitchen sink, laundry tub, in a wet basement, or near a swimming pool, and the like.
- Carts and Stands** — The appliance should be used only with a cart or stand that is recommended by the manufacturer.
- 6A. An appliance and cart combination should be moved with care. Quick stops, excessive force, and uneven surfaces may cause the appliance and cart combination to overturn.**
- Wall or Ceiling Mounting** — The appliance should be mounted to a wall or ceiling only as recommended by the manufacturer.
- Ventilation** — The appliance should be situated so that its location or position does not interfere with its proper ventilation. For example, the appliance should not be situated on a bed, sofa, rug, or similar surface that may block the ventilation openings; or placed in a built-in installation, such as a bookcase or cabinet that may impede the flow of air through the ventilation openings.
- Heat** — The appliance should be situated away from heat sources such as radiators, heat registers, stoves, or other appliances (including amplifiers) that produce heat.
- Power Sources** — The appliance should be connected to a power supply only of the type described in the operating instructions or as marked on the appliance.
- Grounding or Polarization** — The precautions that should be taken so that the grounding or polarization means of an appliance is not defeated.
- Power-Cord Protection** — Power-supply cords should be routed so that they are not likely to be walked on or pinched by items placed upon or against them, paying particular attention to cords at plugs, convenience receptacles, and the point where they exit from the appliance.
- Cleaning** — The appliance should be cleaned only as recommended by the manufacturer.
- Nonuse Periods** — The power cord of the appliance should be unplugged from the outlet when left unused for a long period of time.
- Object and Liquid Entry** — Care should be taken so that objects do not fall and liquids are not spilled into the enclosure through openings.
- Damage Requiring Service** — The appliance should be serviced by qualified factory authorized service personnel when:
 - The power-supply cord or the plug has been damaged; or
 - Objects have fallen, or liquid has been spilled into the appliance; or
 - The appliance has been exposed to rain; or
 - The appliance does not appear to operate normally or exhibits a marked change in performance; or
 - The appliance has been dropped, or the enclosure damaged.
- Servicing** — The user should not attempt to service the appliance beyond that described in the operating instructions. All other servicing should be referred to qualified factory authorized service personnel.

Power Lines — An outdoor antenna should be located away from power lines.

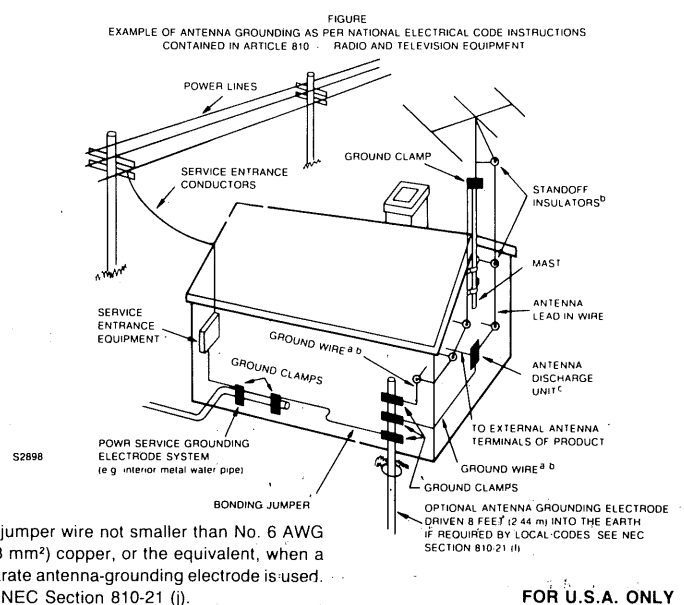
Outdoor Antenna Grounding — If an outside antenna is connected to the receiver, be sure the antenna system is grounded so as to provide some protection against voltage surges and built up static charges. Section 810 of the National Electrical Code, ANSI/NFPA No. 70—1984, provides information with respect to proper grounding of the mast and supporting structure, grounding of the lead-in wire to an antenna discharge unit, size of grounding conductors, location of antenna-discharge unit, connection to grounding electrodes, and requirements for the grounding electrode. See Figure.

^aUse No. 10 AWG (5.3 mm²) copper, No. 8 AWG (8.4 mm²) aluminum, No. 17 AWG (1.0 mm²) copper-clad steel or bronze wire, or larger, as a ground wire.

^bSecure antenna lead-in and ground wires to house with stand-off insulators spaced from 4—6 feet (1.22—1.83 m) apart.

^cMount antenna discharge unit as close as possible to where lead-in enters house.

^dUse jumper wire not smaller than No. 6 AWG (13.3 mm²) copper, or the equivalent, when a separate antenna-grounding electrode is used. See NEC Section 810-21 (j).



FOR U.S.A. ONLY

ENGLISH

AM/FM STEREO TUNER RT-845AX
LW/MW/FM STEREO TUNER RT-845AXL

INTRODUCTION

We at Rotel want to thank you for purchasing our audio product.

Rotel audio products are designed to use the latest electronic technology, and they incorporate our long experience as a specialist manufacturer of audio equipment. We are confident that you will find satisfaction in the high quality sound and top performance, and that you will find pleasure in the functional beauty achieved through human-engineering concept. Before starting operation, please read this instruction manual thoroughly and acquaint yourself with the proper mode of using the unit and all its connections. We hope you will enjoy top-notch performance for many years to come.

INSTALLATION

Be sure to place the unit in a level and flat place where it is free from humidity, vibration, high temperature and not exposed to direct sunlight. Be careful not to place the unit in a highly enclosed place such as near a wall or on a bookshelf. A poor ventilation will cause undesirable effects to the unit.

POWER SUPPLY CONNECTION

For power the unit requires the normal house electrical current (AC). You may simply plug the unit into a wall outlet, or into your amplifier's convenience AC outlet.

CAUTION: Do not apply power without first making sure the proper connections are completed. If you live in U.K. and your unit comes with 2-core cord without a plug, be sure to read the exclusive caution for U.K.

EXCLUSIVE NOTE FOR U.K.

If your unit comes with a 2-core cable without a plug, make certain live and neutral leads are connected to the proper terminals. Check that the terminals are screwed on firmly and no loose strands of wire are present.

IMPORTANT: The wires in this mains lead are colored in accordance with the following code;

BLUE: NEUTRAL
BROWN: LIVE

As the colours of the wires in the mains lead of this apparatus may not correspond with the coloured markings identifying the terminals in your plug proceed as follows. The wire which is coloured BLUE must be connected to the terminal which is marked with the letter N or coloured BLUE or BLACK.

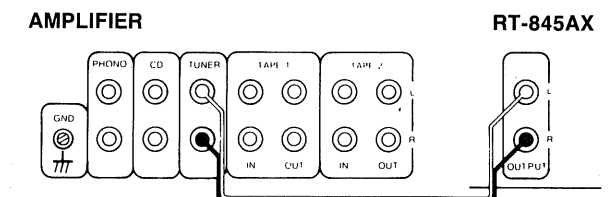
The wire which is coloured BROWN must be connected to the terminal which is marked with the letter L or coloured BROWN or RED.

CAUTION:

To prevent electric shock do not use this (polarized) Plug with an extension cord, receptacle or other outlet unless the blades can be fully inserted to prevent blade exposure.

CONNECTION TO INTEGRATED AMPLIFIER

Using RCA pin cords, securely connect the OUTPUT terminals on the rear panel of the unit to the TUNER (or AUX) terminals of amplifier. Make absolutely sure that RIGHT terminal of one unit is connected to the RIGHT terminal of the other, and LEFT to LEFT



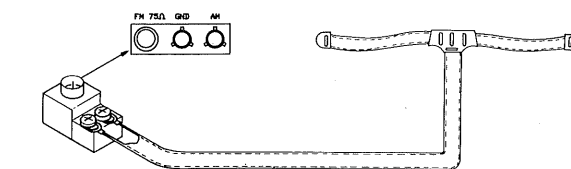
ANTENNA INSTALLATION AND CONNECTION

FM Antenna

Proper installation of antenna is the key to smooth signal reception. To install the attached T-shape indoor antenna, stretch it out and secure horizontally along a wall or the like in a location where signal reception is optimal. Be sure securely connecting T-shape antenna leads to the FM antenna conversion plug (marked 300 ohm) and hook up FM conversion plug to FM antenna terminal marked 75 ohm on rear panel. If outdoor type FM antenna is installed, the T-shape antenna is not necessary. For proper use of your outdoor FM antenna, follow the instructions below.

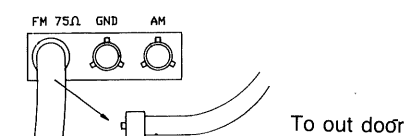
- Be sure to select the most appropriate type of antenna for the signal reception conditions in your area.
- A 75-ohm coaxial cable is recommended in connecting the antenna to the unit.
- Set the antenna in a position as high as possible if buildings, mountains or other obstructions nearby affect reception.
- The 75 ohm coaxial antenna cable is to be connected FM antenna terminal marked 75 ohm.

Indoor T-shape Antenna



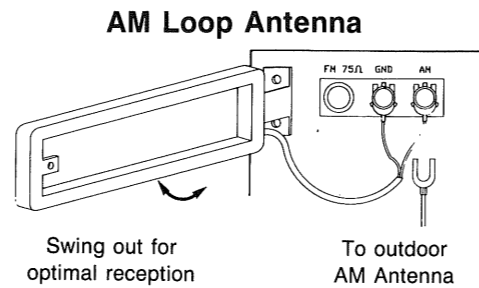
(T-shape Indoor Antenna for European Version is optional)

75Ω Coaxial Antenna



■ AM Antenna

The loop antenna is provided for optimum AM reception. Attach the loop antenna onto the antenna holder on the rear panel, and connect the lead wires to the antenna screw terminals marked "G" and "AM". If an outdoor antenna is desired for better reception due to difficult reception area, connect such antenna to the same screw terminals as the loop antenna. Please note that the loop antenna should be left connected to the terminals even when the external antenna connected.



CONTROLS AND FUNCTIONS

1. POWER Button

Depress ON to apply AC power to the tuner, Push again to release and switch power OFF. The LED indicator above it will glow when power is ON.

CAUTION

As long as the power cord is plugged into a AC outlet, power is supplied to the unit regardless of the setting of the Power Button.

2. MEMORY Indicator

The indicator lights when the MEMORY button is activated.

3. STEREO Indicator

The indicator lights when FM stereo broadcasting signal is tuned in, in case the MONO/STEREO button set to STEREO position.

4. AUTO TUNING Indicator

The indicator lights when AUTO/MANUAL button set to AUTO position.

5. FREQUENCY Display

In the station frequency displaying "FM" and MHz" appear in FM reception, and "AM" and "KHz" in AM reception.

6. SIGNAL Indicator

the indicator will light when tune to AM or FM station properly.

7. AUTO/MANUAL Button

Depressing this button changes the tuning mode from manual to automatic. When automatic tuning is selected the AUTO

8. MONO/STEREO Button

Depressing this button changes the receiving mode between monaural and stereo.

MONO : For reception of monaural or weak FM signal.

STEREO : For reception of FM stereo, When tuned in a stereo signal, the tuner will automatically select and demodulate FM stereophonic signals. The STEREO indicate will light when tuned in a stereo broadcasting.

In the MONO position, interstation noise generated when Tuning in a FM station will be not muted.

9. MEMORY Button

Depress this button to enter a given station frequency into the memory circuit.

Depress this button first, and then tap the desired station button. The MEMO indicator will be lit while in activation.

10. AM/FM Selector

Depressing this button changes the AM signal reception or FM signal reception. RT-845AXL — gives AM reception in either MW or LW mode.

11. TUNING UP/DOWN buttons

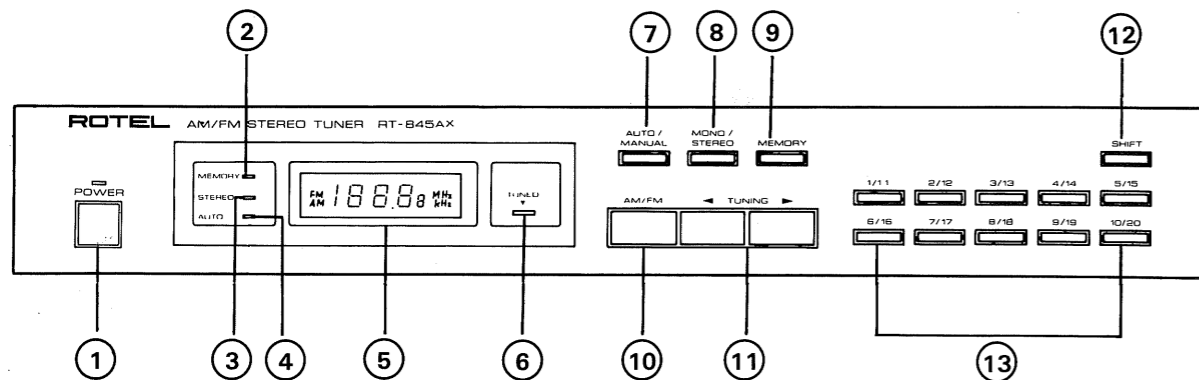
These buttons are used to select the desired frequency station, Depress the UP button to tune frequency upwards and DOWN button to tune frequency downwards.

12. SHIFT button

When selecting or storing 11-20 of AM or FM preset stations, depress this button first and then depress any of the desired AM or FM preset station button.

13. STATION button

These buttons are used to tune in to the desired preset stations or to preset given station frequencies in the memory circuit.



OPERATION

• The RT-845AX (RT-845AXL) employs a quartz PLL synthesizer for easy and accurate tuning. Tuning frequency is visible on the digital readout, and you can tune in to the desired station accurately. With the unit's memory circuit, you

can preset memory tuning. This is a feature only a synthesized tuner can offer, letting you recall a stored station frequency instantly with a single tap of a button.

• One station button can store one AM and or one FM station in its memory. With the 10 station buttons, a total of 20 AM and FM station can be stored.

• The RT-845AXL memory stores a total of 20 FM stations, and 20 MW/LW stations.

• The power source of unplugged, or if there is a power failure, the electrical energy accumulated in the capacitor while the unit was ON will retain the frequencies stored in the memory circuit for three days. (The memory is retained as long as the power cord is plugged into an AC outlet, regardless of the position of the POWER button.) if you leave the power cord unplugged for over three days, the stored frequencies will be lost.

• Before commencing operation, check to make sure all antenna, amplifier and power connections are properly made.

1. Set the volume control on the amplifier to minimum position, and amplifier function switch to TUNER position (or to AUX position if the tuner is connected to AUX terminal).

2. Turn on the amplifier and press the POWER button on tuner.

3. Depress FM/AM button of the tuner function selector. (On RT-845AXL select to the FM/MW/LW button).

4. Tune in to the desired station by means of tuning or station buttons.

5. Raise the volume to the desired level, and enjoy listening.

TUNING

The unit is designed to permit three modes of tuning: AUTO TUNING, MANUAL and PRESET MEMORY TUNING.

• AUTO TUNING

Set to Auto Tuning position. Press Tuning button, UP or DOWN, automatic scanning AM/FM band begins. Scanning stops when it reaches a point where the input signal exceeds a certain acceptable level. To tune in to another station, press DOWN or UP button according to the frequency of the desired station.

• MANUAL TUNING

Set to Manual Tuning position. A tap of the tuning button, DOWN or UP, will shift the tuning frequency in specified increments. If you keep the button depressed down, the frequency will change continuously. Release the button to stop frequency change.

• PRESET MEMORY TUNING

Tune in to the desired station in either AUTO or MANUAL tuning mode, Depress the MEMORY button, then Tap any station button, 1 through 10 or tap SHIFT button then select 11 through 20, to enter the frequency into the memory circuit. Thereafter, you may recall the same frequency any time simply by depressing the same button.

NOTE: Once the MEMORY button is pressed, you must press the appropriate station button within several seconds to enter the station frequency. If more time elapses before you press the station button, entry cannot be made. In that case start again, following the above procedures. The above procedures should also be followed to change the station preset for a given station button.

NOTE: If you have turned off the unit, and turn it on again, the unit will tune in to the station frequency to which it was tuned immediately before turn-off.

HUM AND NOISE

Hum often accompanies activation of power supply. If hum is generated, try replugging the power cord into the wall outlet, reversing the plug this time. Other possible causes of hum include improper routing of connecting cords (try changing cord position). or incorrect pin-plug insertion. Check all connections if hum persists.

If noise is introduced, it is usually caused by improper positioning of antenna cable or improper antenna installation.

Use a 75-ohm cable for outdoor FM antenna and minimize multipath to obtain optimal signal reception. Note that during signal reception the unit may pick up noise from other household electric appliances (as when switching power on or off). In that case, check the relative location of the appliances and keep them away from the unit, or vice versa, as necessary.

Note 1: In a location near a broadcasting station, very strong signals may cause noise or distortion, depending on the type of antenna used. In that case, install an attenuator between the antenna and the tuner.

Note 2: Inside a concrete building, FM signals are weakened and satisfactory reception may be difficult. An outdoor FM antenna will best remedy such a situation.

SPECIFICATIONS

FM TUNER SECTION

Usable Sensitivity (mono) . . . 6.5 dBf/1.2μV (75 ohms)

50 dB Quieting Sensitivity:

Mono 11dBf/2μV (75 ohms)

Stereo 34.5dBf/30μV (75 ohms)

Signal-to-Noise Ratio (at 65 dBf):

Mono 75 dB

Stereo 70 dB

Harmonic Distortion (at 65 dBf):

1 kHz 0.08% (mono), 0.3% (stereo)

Frequency Response 30 to 15,000Hz, +1.5dB,

-1.5dB

Capture Ratio 1.5 dB

Alternate Channel Selectivity

(±400 kHz) 63 dB

Spurious Response Ratio . . . 95 dB

Image Response Ratio 65 dB

IF Response Ratio 90 dB

AM Suppression Ratio 60 dB

Stereo Separation 100 Hz/1 kHz/10 kHz,

35 dB/40 dB/30 dB

Subcarrier Product Ratio . . . 60 dB

SCA Rejection Ratio 70 dB

Antenna Input 75 ohms unbalanced

AM TUNER SECTION MW LW (RT-845AXL)

Sensitivity 350μV/m 750μV/m

Selectivity Wide/Narrow . . . 27dB/42dB 25dB/40dB

Signal-to-Noise Ratio 60dB 60dB

Image Response Ratio 40dB 40dB

IF Response Ratio 40dB 40dB

Antenna Loop antenna

MISCELLANEOUS

Power Requirement 220V/50Hz

Power Consumption 10 watts

Dimensions (overall) 444(W) × 66(H) × 253(D) m/m

Weight (net) 3.2kg

• Specifications and design subject to possible modification without notice.

DEUTSCH

MW/UKW STEREO TUNER RT-845AX
LW/MW/UKW STEREO TUNER RT-845AXL

EINFÜHRUNG

Rotel bedankt sich für den Kauf dieses audio-Produktes. Die Audio-Produkte von Rotel sind nach der neuesten elektronischen Technologie entwickelt und spiegeln die lange Erfahrung eines Fachherstellers von Audio-Geräten wider. Wir sind sicher, daß Sie mit der hohen Klang-qualität und der erstklassigen Ausführung zufrieden sind. Die mit hervorragendem Ingenieurwissen erreichte brillante Technik hervorragendem Ingenieurwissen erreichte brillante Technik der Gerätes wird Ihnen sicher viel Freude bereiten. Lesen Sie aber vor dem Betrieb des Gerätes diese Bedienungsanleitung sorgfältig durch, damit Sie mit den Besonderheiten und dem richtigen Anschluß des Gerätes vertraut werden. Und nun viel Spaß!

AUFSTELLUNG

Stellen Sie das Gerät auf eine waagerechte und ebene Oberfläche, wo es vor Feuchtigkeit, Vibrationen, hohen Temperaturen und direkter Sonnenbestrahlung geschützt ist. Achten Sie darauf, daß Sie das Gerät nicht an einen Ort aufstellen, wo die Luftzufuhr beeinträchtigt ist, z.B. nahe einer Wand oder in einem Bücherregal. Eine schlechte Belüftung kann unerwünschte Störungen des Gerätes zur Folge haben.

NETZANSCHLUSS

Das Gerät benötigt normalen Haushaltsstrom (Wechselstrom). Verbinden Sie es einfach mit einer Wandsteckdose oder mit einer Kaltgeräte-Steckdose Ihres Verstärkers.

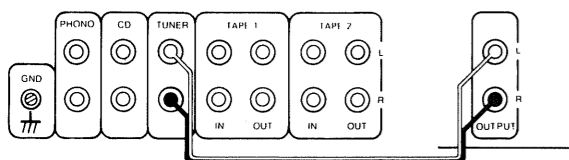
ACHTUNG: Versichern Sie sich vor dem Einschalten des Gerätes, daß alle Verbindungen richtig hergestellt sind.

ANSCHLUSS AN EINEN VOLLVERSTÄRKER

Verbinden Sie die OUTPUT-Ausgänge an der Rückseite des Gerätes mit den TUNER (oder AUX)-Anschlüssen des Verstärkers mit Hilfe von RCA-Steckerkabeln. Achten Sie dabei auf richtigen Anschluß; der RIGHT-Anschluß des einen Gerätes muß mit dem RIGHT-Anschluß des anderen Gerätes verbunden werden und LEFT mit LEFT.

AMPLIFIER

RT-845AX



AUFBAU DER ANTENNE UND ANSCHLUSS

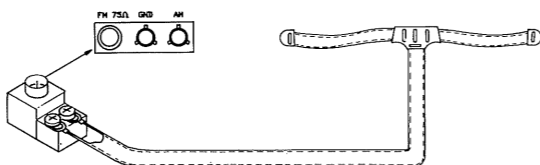
UKW-Antenne

Die richtige Anbringung der Antenne ist der Schlüssel für guten Empfang. Wenn Sie die mitgelieferte T-förmige Zimmerantenne benutzen wollen, spreizen Sie die Antenne

auseinander und befestigen sie an eine Wand oder in einer Lage, wo der Empfang optimal ist. Versichern sie sich bitte, dass sie die mitgelieferte T-förmige antenne richtig auf den FM antenne umwechslung stecker führen, und verbinden sie den FM umwechslung stecker an die FM antenne ausgänge, mit zeichen 75 ohm, an der rückseite. Bei Verwendung einer Außenantenne ist die Zimmerantenne nicht erforderlich. Für die Errichtung einer UKW-Außenantenne folgen Sie bitte der unten angegebenen Anleitung.

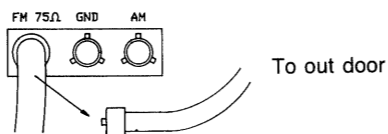
1. Wählen Sie aus dem Antennenangebot die für Ihr Empfangsgebiet geeignetste Antenne aus.
2. Es empfiehlt sich, ein 75-Ohm Koaxial-kabel zum Anschluß der Antenne an das Gerät zu benutzen.
3. Errichten Sie die Antenne so hoch wie möglich, wenn Gebäude, Berge und andere für den Empfang störende Hindernisse den Empfang beeinträchtigen sollten.
4. Das 75-Ohm koaxialkabel muss an den mit "75 ohm" gekennzeichneten Antennenanschluss angeschlossen werden.

Indoor T-shape Antenna



(T-shape Indoor Antenna for European Version is optional)

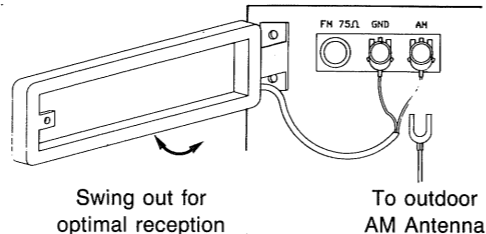
75 Ω Coaxial Antenna



MW-Antenne

Mit der mitgelieferten Rahmenantenne läßt sich ein ausgezeichneter MW-Empfang erzielen. Befestigen Sie die Rahmenantennen am Antennen-halter auf der Geräterückseite und schließen Sie die Antennenkabel an die mit "G" und "AM" gekennzeichneten Schraubklemmen an. In Gegenden mit schlechter Empfangslage mag der einsetz einer MW-Außenantenne erforderlich werden, die an dieselben Klemmen angeschlossen werden kann. Beachten Sie hierbei bitte, daß die Rahmenantenne auch bei Anschluß einer MW-Außenantenne angeschlossen bleiben muß.

AM Loop Antenna



DIE LEITUNGEN UND FUNKTIONEN

1. Netztaste (POWER)

Drücken sie diese taste zum Einschalten des gerätes. Durch nochmaliges drücken der taste wird das gerät ausgeschaltet. Die LED-Anzeige über der taste leuchtet bei eingeschaltetem gerät.

Achtung

Solange der Netzstecker in einer wandsteckdose steckt, wird das gerät mit strom versorgt, geich in welcher position sich die netztaste befindet.

2. Speicherprogrammanzeige (MEMORY)

Die Anzeige leuchtet, wenn die speicherprogramm taste gedrückt wird. Um die frequenz der eingestellten station in den Speicher-programm stromkreis einzutreten, müssen sie die taste zum Einschalten lassen.

3. Stereoanzeige (STEREO)

Die stereoanzeige leuchtet beim empfang einer stereo-rundfunk sendung, wenn die MONO/STEREO taste in STEREO position gestellt wird.

4. Auto tuning anzeige

Die Anzeige leuchtet, wenn die AUTO/MANUAL taste in AUTO position gestellt wird.

5. Frequenzanzeige

Hier kinaus erscheint die frequenz "FM" und "MHz" bei FM Empfang, und "AM" "KHz" bei AM empfang.

6. Signalstärkeanzeige (SIGNAL)

Die Anzeige wird leuchten, wenn sie richtig auf AM oder FM station eingestellt ist.

7. AUTO/MANUAL taste

Durch drücken dieser taste wird von manuellem abstimmen anf automatisches abstimmen umgeschaltet. Wenn das automatische abstimmen gewährt ist, wird die AUTO TUNING anzeige leuchten.

8. MONO/STEREO taste

Durch drücken dieser taste verändert sich die empfangsart zwischen MONO und STEREO.

MONO : Für empfang des monauralen oder schwachen signal

STEREO : Für empfang des FM STEREO. Wenn sie auf dem STEREO signal gestellt ist, wird sie das abstimmen automatisch wählen und die FM stereophonische signale demodulieren. Die STEREO anzeige wird leuchten, wenn sie auf STEREO rundfunksendung eingestellt ist.

In des MONO position erzeugt das geräusch der zwischenstation, wenn das abstimmen auf FM station nicht stumm ist.

9. Speicherprogramm taste (MEMORY)

Durch drücken dieser taste tritt eine eingestellte abstimmen frequenz in den FM station stromkreis ein. Drücken sie vor dem druck einer station taste diese taste. Die MEMO-anzeige wird hell als in der aktivierung.

10. AM/FM station taste

Durch Drücken dieser taste schaltet der AM signal-Empfang oder FM signal-empfang um. RT-845AXL gibt dem AM E fang in anderem MW oder LW Form.

11. Tuning UP/DOWN taste

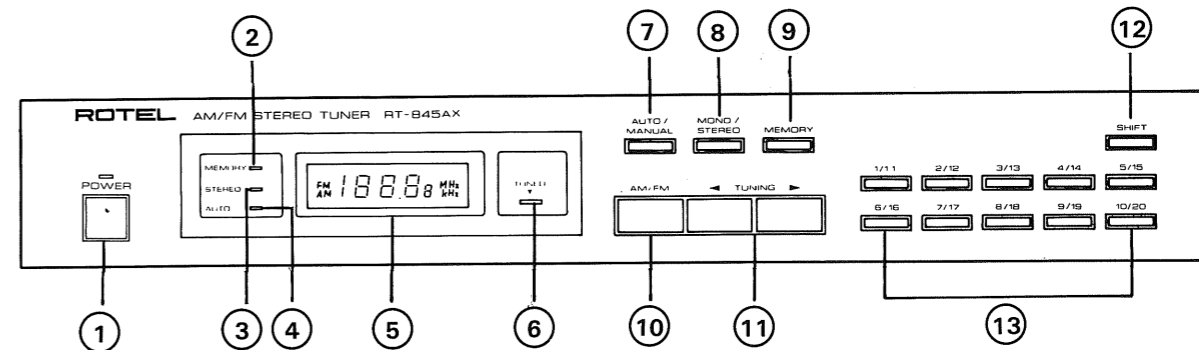
Diese taste wird benutzt, um eine gewünschte station zu wählen. Durch Drücken der UP taste wird die frequenz höher, und DOWN tiefer.

12. SHIFT taste

Wenn sie 11-20 der AM oder FM jetztigen stationen auswählen oder lagern wollen, drücken Sie diese taste vor dem druck jeder gewünschten AM oder FM station taste.

13. Station taste

Diese taste dient zum abruf der voreingestellten stationen in der speicherprogramm stromkreis, oder zum Eintreten der jetzt gewünschten stationen.



BETRIEB

Der RT-845AX (RT-845AXL) besitzt eine Quarz-PLL Synthesizer-Abstimmung zur einfachen und genauen Einstellung. Der in diesem Gerät eingebaute Speicher erlaubt das Abspeichern von Stationsfrequenzen, eine Besonderheit, die nur bei einem Synthesizer-Tuner möglich ist; zum Abruf einer voreingestellten Station brauchen Sie lediglich eine Drucktaste zu betätigen.

Eine Stationstaste dient zur Abspeicherung einer MW- und einer UKW-Station. Mit der 0 Stationstasten können daher 20 MW- und UKW-Stationen gespeichert werden. Beim RT-845AXL können insgesamt 20 UKW-Stationen und MW- und LW-Stationen voreingestellt werden.

Die Spannungsversorgung des in dem Gerät eingebauten Speicherkreises ist mit Kondensatoren gepuffert. Beim Einschalten des Gerätes werden die Kondensatoren mit elektrischer Energie geladen, die ausreicht, die Speicherung bei einem längeren Stromausfall, oder wenn das Netzkabel aus der Steckdose herausgezogen wird, drei Tage lang aufrechtzuerhalten. (Die Speicherung wird aufrechterhalten, solange der Netzstecker in einer Wandsteckdose steckt, gleich in welcher Stellung sich die POWER-Taste befindet.) Wenn Sie das Gerät länger als drei Tage vom Netz getrennt lassen, wird die Speicherung gelöscht.

Vergewissen Sie sich vor der Inbetriebnahme, daß alle Anschlüsse von der Antenne, vom Verstärker und von der Spannungsquelle richtig hergestellt sind.

1. Drehen Sie den Lautstärkereglern des Verstärkers auf Minimum, und stellen Sie den Eingangswähler des Verstärkers auf TUNER (bzw. auf AUX, wenn der Tuner an den AUX-Anschluß angeschlossen ist).

2. Schalten Sie den Verstärker ein, und drücken Sie die POWER Taste des Tuners.

3. Drücken Sie die FM-oder AM-Taste des Tuners. Beim RT-850AL können Sie zwischen drei Frequenzbereichen wählen: FM, MW oder LW.

4. Stimmen Sie auf die gewünschte Station ab, indem Sie entweder die Abstimmknöpfe betätigen oder eine Stationstaste drücken. (Siehe Abschnitt "Abstimmung").

5. Erhöhen Sie die Lautstärke auf den gewünschten Pegel. Und nun viel Spaß!

Abstimmung

Das Gerät erlaubt drei Abstimmarten: Automatisches Abstimmen, manuelles Abstimmen und Abruf von gespeicherten Stationen.

• Automatisches Abstimmen (nur bei UKW-Empfang)

Rasten Sie die FM MANUAL TUNING-Taste aus. Drücken Sie dann die Abstimmknöpfe UP oder DOWN. Das UKW-Band wird nun automatisch abgesucht. Die abstimmautomatik stoppt, wenn ein Eingangssignal einen bestimmten, brauchbaren Pegel überschreitet. Um eine andere Station einzustellen, drückt man entsprechend der Frequenz der gewünschten Station erneut die DOWN-bzw. UP-Taste.

• Manuelles Abstimmen

Rasten Sie die FM MANUAL TUNING-Taste ein. Antippen der Abstimmknöpfe DOWN oder UP bewirkt, daß sich die Abstimmfrequenz in bestimmten Inkrementen weiterbewegt. Wird die Taste gedrückt gehalten, dann läuft die Frequenz ständig weiter und stoppt, wenn die Taste losgelassen wird.

• Stationabruf:

Stellen Sie die gewünschte Station durch manuelles oder automatisches abstimmen ein. Drücken Sie die Speicherprogramm-Taste. Zum abspeichern der eingestellten Frequenz drücken Sie irgendeine der Stationstasten 1 bis 10, und dann 11 bis 20. Danach kann die eingespeicherte Station jetzt durch einfachen Druck derselben Taste abgerufen werden.

Beachten Sie, dass Sie zum abspeichern der Stationsfrequenz die Stationstaste innerhalb weniger Sekunden drücken müssen. Es wird nicht gelingen, wenn Sie mehrere Zeit vor dem Druck der Taste verbringen. Und Sie müssen den Vorgang von neuem beginnen. Folgen Sie ebenfalls den obigen Anleitungen.

Hinweis: Das Gerät wird nach dem ausschalten wieder eingeschaltet, dann stimmt der Tuner auf die Stationsfrequenz ab, auf die kurz vor dem ausschalten abgestimmt wurde.

BRUMMEN UND RAUSCHEN

Die Spannungsversorgung ist oft die Ursache von Brummen. Sollte Brummen auftreten, versuchen Sie zuerst den Netzstecker in der Steckdose umzustecken. Andere Ursachen von Brummen sind falsche Lage der Verbindungskabel (ändern Sie die Lage der Kabel) oder nicht richtig sitzende Stecker. Überprüfen Sie alle Steckverbindungen, falls weiterhin Brummen auftritt. Die Ursachen von Rauschen sind meistens nicht richtig verlegte Antennenkabel oder schlechte Aufstellung der Antenne. Benutzen Sie ein 75-Ohm-Kabel für die UKW-Außenantenne, und minimieren Sie Mehrwegempfangsstörungen, um ein optimales Empfangssignal zu erhalten. Es ist noch darauf hinzuweisen, daß das Gerät Störgeräusche von anderen elektrischen Haushaltsgeräten aufnehmen kann. In diesem Fall die Geräte möglichst weit

Hinweis 1: In der Nähe von Rundfunkstationen können die starken Signale - je nach Typ der Empfangsantenne in verschiedenem Maße - Rauschen oder Verzerrungen des Empfangssignals zur Folge haben. Schalten Sie in diesem Fall einen Abschwächer zwischen die Antenne und den Tuner.

Hinweis 2: Im Innern von Gebäuden aus Stahlbeton sind UKW-Signale schwach, und der Empfang kann schwierig sein. In diesem Fall ist eine UKW-Außenantenne zu empfehlen.

TECHNISCHE DATEN

UKW-TUNER-TEIL

Brauchbare Empfindlichkeit (Mono)	6.5dBf/1.2µV (75 ohms)
50 dB-Empfindlichkeitsschwelle:	
Mono	11dBf/2µV (75 ohms)
Stereo	34.5dBf/30µV (75 ohms)
Signal-Rauschabstand (bei 65 dBf):	
Mono	75dB
Stereo	70dB
Klirrfaktor (bei 65 dBf):	
1 kHz	0.08% (Mono), 0.3% (Stereo)
Frequenzgang	30bis 15,000Hz, +1.5dB, -1.5dB
Einfangverhältnis	1.5dB
Nachbarkanalunterdrückung (±400 kHz)	63 dB
Störunterdrückung	95dB
Spiegelfrequenz-Dämpfung	65dB
2F-Dämpfung	90dB
AM-Dämpfung	60dB
Stereotrennung	100Hz/1kHz/10kHz, 35dB/40dB/30dB
Pilotton-Dämpfung	60dB
SCA-Unterdrückung	70dB
Antenneneingang	75 Ohm asymmetrisch

AM-TUNER-TEIL	MW	LW (RT-845AXL)
Empfindlichkeit	350µV/mm	750µV/m
Trennschärfe. wid/Narrow	27dB/42dB	25dB/40dB
Signal-Rauschabstand	60dB	60dB
Spiegelfrequenz-Dämpfung	40dB	40dB
ZF-Dämpfung	40dB	40dB
Antenne	Loop antenna	

ALLGEMEINE DATEN

Spannungsversorgung	220V/50Hz
Leistungsaufnahme	10 watts
Gesamtmaße	444(B) x 66(H) x 253(D) mm
Nettogewicht	3.2kg

- Änderung der technischen Daten vorbehalten!

FRANÇAIS

TUNER MA/MF RT-845AX
TUNER GO/PO/MA RT-845AXL

CHER CLIENT

ROTEL vous remercie de l'achat de son appareil audio. La technique de l'électronique conçue spécialement pour les appareils ROTEL est l'une des plus avancées et nos expériences très approfondies le prouvent: elles nous classent comme les meilleurs fabricants spécialistes des appareils audio. Nous sommes persuadés que vous obtiendrez toute la satisfaction que vous recherchez par la haute qualité du son et par ses performances de tout premier ordre. Avant de brancher votre appareil, lisez attentivement le mode d'emploi et vous saurez comment en tirer le meilleur parti. Nous espérons que vous bénéficierez, dès le premier jour, d'une audition qui vous enchantera et que vous renouvelerez toujours avec un nouveau plaisir.

INSTALLATION

Assurez-vous que l'endroit où vous allez installer l'appareil soit uniformément plat, exempt d'humidité, de vibrations, qu'il ne soit pas sujet à des températures extrêmes et qu'il ne soit pas exposé directement aux rayons du soleil. N'accrochez pas l'appareil contre le mur ou d'autre objet, car le manque de ventilation lui en résulterait des dommages.

ALIMENTATION

Branchez la prise mâle du cordon d'alimentation de votre appareil sur la prise femelle murale ou la sortie CA de la prise du panneau arrière de l'amplificateur.

REMARQUE: Ne mettez pas en marche l'appareil sans vous être au préalable assuré que tous les branchements sont correctement terminés.

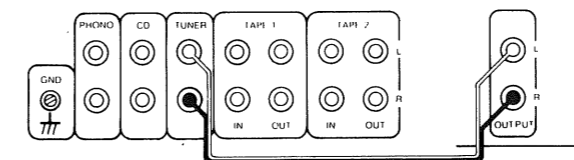
ATTENTION

Pour prévenir les chocs électriques ne pas utiliser cette fiche polarisée avec un pro-longateur, une prise de courant ou une autre sortie de courant, sauf si les lames peuvent être insérées à fond sans en laisser aucune partie à découvert.

BRANCHEMENT SUR L'AMPLIFICATEUR INTEGRE

Utilisez les fiches à épingle RCA et raccordez les prises OUTPUT sur le panneau arrière de l'appareil aux prises TUNER (ou AUX) de l'amplificateur. Respectez la polarité: les bornes RIGHT (droit) et LEFT (gauche) du tuner aux bornes RIGHT (droit) et LEFT (gauche) de l'amplificateur.

AMPLIFIÉ RT-845AX



INSTALLATION ET RACCORDEMENT DE L'ANTENNE

■ Antenne MF

L'installation correcte de l'antenne est la meilleure clé pour une réception convenable du signal. Orientez l'antenne en forme de T dans la direction qui donne la meilleure réception. Une fois sa position optimale trouvée, vous pourrez la fixer, bien tendue, sur le mur ou un objet similaire. Raccorder assurément l'antenne en T à la prise (marquée 300 ohm) de conversion de l'antenne FM et accrocher la prise de conversion FM à la borne 75 ohm de l'antenne FM (au panneau arrière). Si vous disposez d'une antenne MF extérieure, l'antenne intérieure en forme de T n'est pas obligatoire. Pour une utilisation correcte de l'antenne extérieure MF, respectez les indications données ci-après.

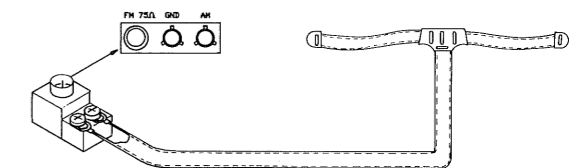
1. Choisissez le type d'antenne le plus approprié pour une condition de réception optimale.

2. Le câble coaxial de 75 ohms est recommandé pour le raccordement de l'antenne à votre tuner.

3. L'installation de l'antenne extérieure doit être dans la position la plus élevée et dans la mesure du possible loin de tous les buildings, de toutes les montagnes ou autres constructions affectant la réception du signal.

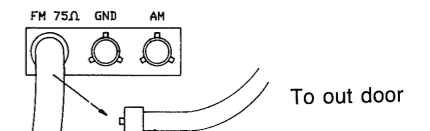
4. Raccorder l'antenne du câble coaxial 75 ohm à la borne 75 ohm de l'antenne FM.

Indoor T-shape Antenna



(T-shape Indoor Antenna for European Version is optional)

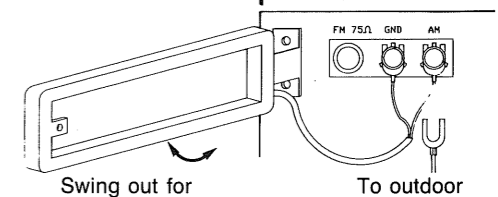
75 Ω Coaxial Antenna



■ Antenne MA

L'antenne-cadre permet une réception MA optimum. Fixez l'antenne-cadre au support d'antenne situé sur le panneau arrière et raccordez les fils aux bornes à vis prévues pour l'antenne et repérées par "G" et "AM". Si vous trouvez dans une région où la réception est mauvaise, vous pouvez améliorer la réception en installant une antenne extérieure. Dans ce cas, raccordez l'antenne extérieure aux mêmes bornes à vis que pour l'antenne-cadre. Notez que l'antenne-cadre doit rester raccordée à ces bornes, même dans le cas où vous raccordez une antenne extérieure.

AM Loop Antenna



COMMANDES ET FONCTION

1. Touche de POWER (Alimentation)

Appuyer ON pour mettre en marche de l'appareil, l'indicateur LED s'allume, appuyer encore pour arrêter de l'appareil,

ATTENTION

En branchant le câble secteur dans la prise, il y a d'alimentation à l'appareil sans égard pour le réglage de la touche de POWER.

2. Indicateur MEMORY

Appuyer sur la touche MEMORY, l'indicateur s'allume. Quand l'indicateur est sur la position ON, la fréquence de la station donnée sera entrée dans la mémoire de l'appareil.

3. Indicateur STEREO (Stéréo)

Cet indicateur s'allume en cas de réception d'une émission FM stéréo, à condition toutefois que le commutateur de MONO/STEREO se trouve en position STEREO.

4. Indicateur AUTO TUNING (Accord automatique)

Cet indicateur s'allume lorsque vous accordez convenablement une station FM ou AM.

5. Affichage de FREQUENCY (Fréquence)

En cas de réception d'une émission FM, l'affichage de fréquence apparaît "FM" et "MHz". En cas de réception d'une émission AM, l'affichage de fréquence apparaît "AM" et "KHz".

6. Indicateur de SIGNAL (signal)

Cet indicateur s'allume lorsque vous accrochez convenablement une station FM ou AM.

7. Touche AUTO/MANUAL

Appuyer sur cette touche pour commuter l'accord du mode manuel au mode automatique. Lorsque l'accord automatique est choisi, l'indicateur AUTO TUNING s'allume.

8. Touche MONO/STEREO

Appuyer sur cette touche pour commuter la réception entre le mode mono et stéréo.

MONO : Pour une réception monophonique et pour recevoir les stations FM trop faibles.

STEREO : Pour une réception d'une émission FM stéréo. Le tuner choisira automatiquement le signal FM stéréophonique. L'indicateur STEREO s'allume lorsqu'une émission FM stéréo est reçue.

Dans la position MONO, il y a des bruits interstations pendant la réception de l'émission FM.

9. Touche MEMORY

Appuyer sur cette touche pour faire entrer une fréquence de la station donnée dans la mémoire.

Appuyer sur cette touche, puis appuyer sur la touche de station désirée. L'indicateur MEMO s'allume pendant le fonctionnement.

10. Sélecteur AM/FM

Appuyer sur cette touche pour choisir la gamme désirée; FM ou AM.

11. Touches TUNING UP/DOWN

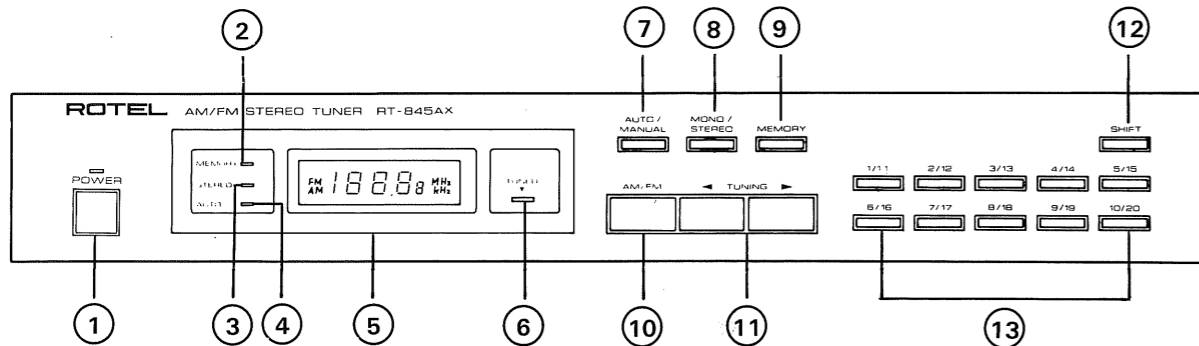
Ces touches servent à choisir la fréquence de la station désirée. appuyer sur la touche UP pour accorder une fréquence ascendante. Appuyer sur la touche DOWN pour accorder une fréquence descendante.

12. Touche SHIFT

Pour choisir ou sauvegarder les stations (11~20) préfixées AM ou FM, appuyez sur cette touche, puis appuyez sur quelque touche de station préfixée AM ou FM que vous désirez.

13. Touches STATION

Ces touches servent à accorder aux stations préfixées que vous désirez ou préfixer les fréquences des stations données dans la mémoire.



FONCTIONNEMENT

• Le tuner RT-845AX (RT-845AXL) appelle à un synthétiseur à boucle de verrouillage en phase par quartz pour assurer un accord rapide et précis. Le circuit mémoire de l'appareil permet d'effectuer une mémorisation - ce que seul un tuner à synthétiseur peut offrir - grâce à laquelle la station mémorisée peut être entendue par une simple pression sur une des touches de sélection.

• Chaque touche de sélection permet de mémoriser une station MA et une station MF, Le sélecteur comportant 10 touches, un total de 20 stations MA et de stations MF peut être mis en mémoire.

Sur le RT-845AXL 20 stations MF et stations PO et GO au

total peuvent être présélectionnées.

• Le bloc d'alimentation du circuit de mémorisation du tuner est renforcé par un condensateur. Si le cordon d'alimentation est débranché, ou s'il se produit une panne d'électricité, les fréquences mémorisées dans le circuit sont maintenues pendant trois jours grâce à l'énergie emmagasinée dans le condensateur alors que le tuner était alimenté. (La mémoire reste active tant que le cordon d'alimentation reste branché sur une prise CA, quelle que soit la position de la touche POWER Si le cordon d'alimentation est débranché pendant plus de trois jours, les fréquences sont effacées de la mémoire.

• Avant de mettre le tuner en service, vérifier que tous les branchements - antenne, amplificateur et alimentation - sont correctement assurés.

1. Amener la commande de volume de l'amplificateur sur la position minimum, et le sélecteur de fonctions de l'ampli sur la position TUNER (ou AUX si le tuner est branché sur les bornes AUX.)

2. Mettre l'amplificateur en circuit et presser le touche POWER du tuner.

3. Appuyer sur la touche FM ou AM du sélecteur de fonctions du tuner.

Sur le RT-850AL, sélectionner l'une des touches FM, MW ou LW.

4. Accorder le tuner sur la station voulue à l'aide des touches d'accord ou des touches de station (voir section relative à l'Accord).

5. Augmenter le volume au niveau d'écoute désiré.

Accord

La section tuner offre trois modes d'accord: automatique, manuel et écoute de stations présélectionnées.

• Accord automatique (pour réception en MF uniquement)

Régler le sélecteur d'accord MF manuel sur la position haute. Appuyer sur la touche d'accord UP ou DOWN. L'exploration automatique de la gamme MF commence alors. L'exploration s'interrompt lorsqu'un signal d'un niveau minimum est reçu. Pour trouver une autre station, appuyer à nouveau sur la touche DOWN up UP, en fonction de la fréquence de la station que vous souhaitez étendre.

• Accord manuel

Régler le sélecteur d'accord MF manuel sur la position basse. Une pression rapide sur la touche d'exploration DOWN ou UP a pour effet de faire défiler la fréquence reçue par intervalles. Si la touche est maintenue pressée, la fréquence ne cesse de changer. Libérer la touche pour arrêter le défilement.

• Accord de la mémoire préfixée

Accorder à la station désirée par le mode d'accord AUTO ou MANUAL. Appuyer sur la touche MEMORY, puis, appuyer sur quelque touche de station, 1-10, ou appuyer sur la touche SHIFT, puis choisir 11~20 pour faire entrer la fréquence dans la mémoire. D'après cela, vous pouvez rappeler la même fréquence à tout moment au moyen d'appuyer sur la même touche.

Rèmarque: Si la touche MEMORY est appuyée, vous devez appuyer la touche de la station propre dans quelques secondes pour faire entrer la fréquence de la station dans la mémoire. Si le temps s'écoule avant que vous appuyiez la touche de la station, l'entrée ne peut être faite. Dans ce cas, faire encore une fois selon le procédé susdit.

Remarque: Si vous arrêtez de l'appareil et le mettez en marche encore, cet appareil accordera à la fréquence de la station que vous avez accordé dernièrement.

RONFLEMENTS ET BRUITS

Les ronflements sont souvent occasionnés par l'alimentation de puissance. Pour les éliminer, il suffit quelquefois d'inverser le raccordement secteur. D'autres causes de ronflement sont possibles, tel qu'un mauvais positionnement des câbles (essayer de changer leurs positions), ou une insertion incorrecte de la prise à épingle. Vérifiez tous les raccordements, si les ronflements persistent. Des bruits sont normalement causés par un mauvais positionnement du câble de l'antenne ou l'installation incorrecte de celle-ci. Utilisez le câble de 75-ohms pour l'antenne MF extérieure, essayez aussi de minimiser au maximum le Multipath. Il faut prendre aussi en considération que pendant la réception du signal, le tuner peut capter d'autres bruits venant par exemple d'appareils ménagers ou lors de la mise en marche et de l'arrêt de ceux-

Note : Si vous habitez près d'une station émettrice, les signaux très puissants peuvent causer des bruits ou des distortions suivant le type d'antenne que vous utilisez. Il vous faudra installer un atténuateur entre l'antenne et votre tuner.

Note 2: A l'intérieur d'un immeuble en béton, les signaux MF sont faibles et une réception satisfaisante sera difficile. Seule une antenne MF extérieure permet de remédier à cette situation.

CARACTERISTIQUES

SECTION TUNER MF

Sensibilité (mono)..... 6.5dBf/1.2µV (75 ohms)

Seuil de silencieux 50 dB:

Mono..... 11dBf/2µV (75 ohms)

Stéréo..... 34.5dBf/30µV (75 ohms)

Rapport signal/bruit (à 65 dBf):

Mono..... 75dB

Stéréo..... 70dB

distorsion harmonique (à 65dBf):

1 kHz..... 0.08% (mono), 0.3% (stereo)

Réponse en fréquence..... 30 à 15,000Hz, + 1.5dB, - 1.5dB

Rapport de capture..... 1.5dB

Selectivité canal alterne

(± 400kHz)..... 63dB

Rapport de réception non

sélective..... 95dB

Taux de rejet de fréquence

Imaga..... 65dB

Taux de réponse IF..... 90dB

Taux de suppression MA..... 60dB

Séparation stéréo..... 100Hz/1kHz/10kHz, 35dB/40dB/30dB

Taux de génération de

porteuse..... 60dB

Taux de rejet SCA..... 70dB

Descente d'antenne..... 75 ohms non équilibrée

SECTION TUNER MA MW LW (RT-845AXL)

Sensibilité..... 350µV/m 750µV/m

Sélectivité Wid/Narrow..... 27dB/42dB 25dB/40dB

Rapport signal/bruit..... 60dB 60dB

Taux de rejet de fréquence

image..... 40dB 40dB

Taux de réponse IF..... 40dB 40dB

Antenna..... Loop antenna

GENERALITES

Alimentation..... 220V/50Hz

Consommation..... 10 watts

Dimension (hors-tout)..... 444 (L) x 66(H) x 253(P) m/m

Poids (net)..... 3.2kg

• Les spécifications et la présentation sont sujettes à modifications sans préavis.

THE ROTEL CO., LTD.

1-36-8, Oholcayama, Meguro-ku, Tokyo 152, Japan
