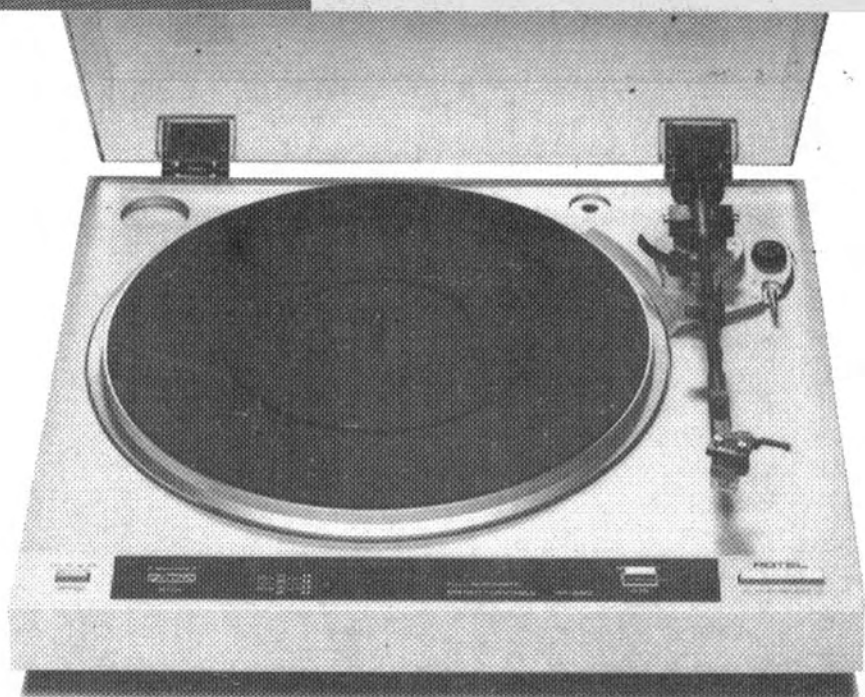


owner's manual



Model: RP-860 (REV. 8/82)

ROTEL RP-860

FULL-AUTOMATIC BELT-DRIVE
STEREO TURNTABLE

ENGLISH	1	ITALIANO	17
DEUTSCH	4	SVENSKA	20
FRANÇAIS	7	SUOMI	23
NEDERLANDS	10	DANSK	26
ESPAÑOL	14	NORSK	29

WARNING

TO PREVENT FIRE OR SHOCK HAZARD,
DO NOT EXPOSE THIS APPLIANCE TO
RAIN OR MOISTURE

Write your SERIAL NUMBER here.

The number is located near the name
plate on the rear panel.



ENGLISH

CAUTION:

As long as the power cord is plugged into an AC outlet, the unit is supplied with power in standby state.

BELT-DRIVE FULL AUTOMATIC STEREO TURNTABLE RP-860

INTRODUCTION

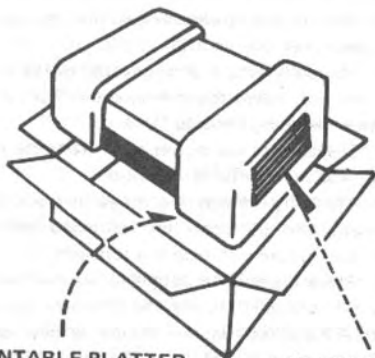
We at Rotel want to thank you for purchasing our audio product.

Rotel audio products are designed to use the latest electronic technology, and they incorporate our long experience as a specialist manufacturer of audio equipment. We are confident that you will find satisfaction in the high quality sound and top performance, and that you will find pleasure in the functional beauty achieved through human-engineering concept. Before starting operation, please read this instruction manual thoroughly and acquaint yourself with the proper mode of using the unit and all its connections.

We hope you will enjoy top-notch performance for many years to come.

UNPACKING

The attachments and accessories including headshell and counterweight are stored inside the styrofoam moulding.



TURNTABLE PLATTER AND RUBBER MAT

ACCESSORIES

POWER SUPPLY CONNECTION

For power the unit requires normal household current (AC). Simply plug the unit into a wall outlet, or your amplifier's (or receiver's) convenience receptacle on the rear panel. If it is plugged to a convenience receptacle marked "SWITCHED," you cannot operate the unit when the power switch on the amplifier or receiver is set to OFF.

INSTALLATION

To prevent hum, do not place the unit near appliances with motors or large transformers. Be sure the unit's location is not subject to high temperature, humidity, or direct sunlight, to prevent possible troubles.

Vibration or tilted installation will impede good performance of the turntable and the stylus will skip grooves.

EXCLUSIVE NOTE FOR U.K.

If your unit comes with a 2-core cable without a plug, make certain live and neutral leads are connected to the proper terminals. Check that the terminals are screwed down firmly and no loose strands of wire are present.

IMPORTANT: The wires in this mains lead are coloured in accordance with the following code:

BLUE: NEUTRAL

BROWN: LIVE

As the colours of the wires in the mains lead of this apparatus may not correspond with the coloured markings identifying the terminals in your plug proceed as follows. The wire which is coloured BLUE must be connected to the terminal which is marked

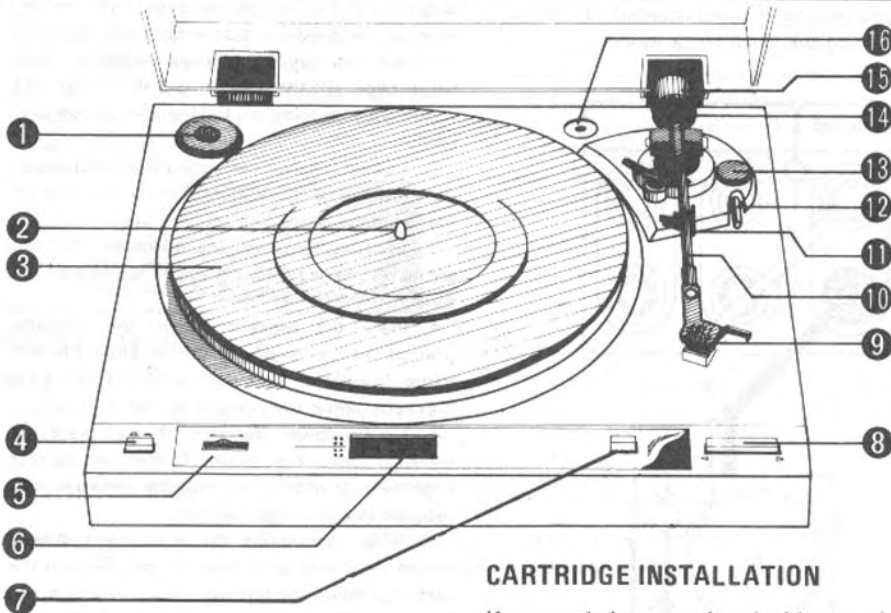
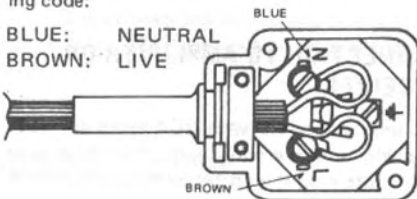
with the letter N or coloured BLUE or BLACK. The wire which is coloured BROWN must be connected to the terminal which is marked with the letter L or coloured BROWN or RED.

EXCLUSIVE NOTE FOR U.K. CONNECTING BULGIN PLUG

IMPORTANT: The wires in this mains lead are coloured in accordance with the following code:

BLUE: NEUTRAL

BROWN: LIVE



PART NAMES

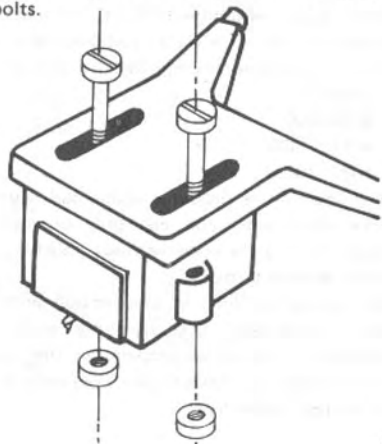
- (1) EP adaptor
- (2) Turntable spindle
- (3) Platter/rubber mat
- (4) Speed selector
- (5) Speed control knob
- (6) Stroboscope
- (7) Record size selector
- (8) PLAY/REJECT button
- (9) Headshell
- (10) Tonearm
- (11) Arm rest/clamp
- (12) Cueing stick
- (13) Antiscating device
- (14) Stylus force gauge
- (15) Counterweight
- (16) Headshell stand

CARTRIDGE INSTALLATION

If your unit is not equipped with a cartridge, install a cartridge onto the headshell. The lead wires extending from the headshell are color-coded, as listed below. Be sure to connect each wire correctly.

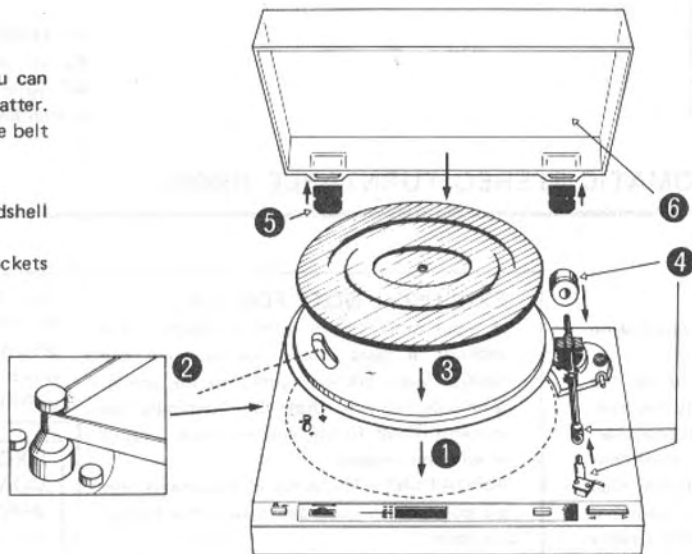
Green: Right/- Red: Right/+
Blue: Left/- White: Left/+

Fit the cartridge into the headshell using nuts and bolts.



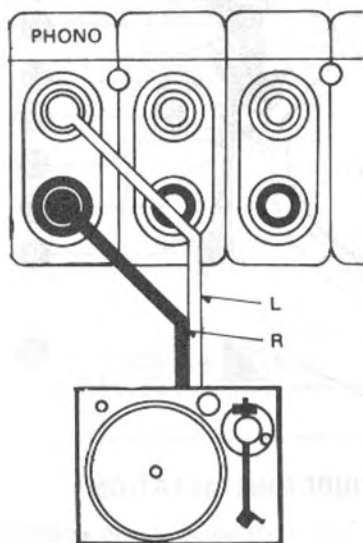
ASSEMBLY

1. Fit the platter in place.
2. Turn the platter by hand until you can see the capstan through the hole in the platter. Locate the belt inside the platter. Hook the belt onto the capstan with fingers.
3. Fit the rubber mat onto the platter.
4. Fit the counterweight and headshell onto the tonearm.
5. Fit the hinges into the hinge pockets of the dust cover.
6. Install the dust cover.



CONNECTION TO AMPLIFIER OR RECEIVER

The unit is provided with RCA cords for both channels, and a ground wire. The RCA cord with white plug should be connected to L (left channel) of PHONO terminals and the cord with red plug to R (right channel) of PHONO terminals on the amplifier or receiver.



Remote Control Terminal

On the back of the unit is a socket labeled REMOTE. It is provided for the connection of the remote-control cord that extends from Rotel audio equipment built for wireless remote control of a Rotel audio system. The unit can be remote-controlled by any of the following:

- RR-860
- RCX-860
- RR-700

When the unit is properly connected with the above equipment, you can play or reject a record from a distance without touching the unit's operator button.

When using the unit in conjunction with the above equipment, first carefully study the instruction manual accompanying the equipment in order to make proper connections and use the unit correctly.

OVERHANG ADJUSTMENT

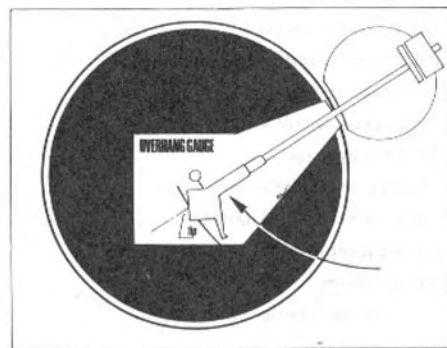
Caution: The tonearm should not be moved beyond the position of the silhouette printed on the overhang gauge. Do not attempt to force the tonearm to the center spindle.

Overhang adjustment is the positioning of the stylus tip at the optimal distance from the fulcrum of the tonearm that enables the stylus tip to trace the record grooves properly. Poor adjustment of the overhang will render the stylus tip incapable of tracing the groove correctly.

1. Loosen the two cartridge mounting screws.
2. Put the center spindle through the hole on the overhang gauge, printed side up.
3. Position the overhang gauge so that the arrow on the gauge points to the fulcrum of the tonearm.
4. Place the tonearm above the silhouette printed on the overhang gauge. Shift the cartridge forward or backward until the stylus tip is exactly above the point indicated by "tip".
5. Gently lower the arm lift and place the tonearm onto the gauge. Check for correct alignment. If misaligned, raise the tonearm, and readjust the cartridge position.
6. After completing the adjustment, slowly return the tonearm to the arm rest. Tighten the cartridge mounting screws.

Caution: When shifting the cartridge forward or backward, be careful not to let fingers or turntable surface touch stylus tip.

The overhang has been factory-adjusted to fit units equipped with Rotel cartridge.

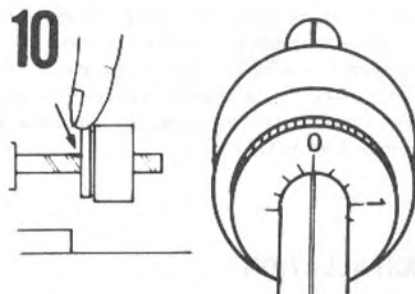


STYLUS FORCE ADJUSTMENT

Exactly the right stylus force must be obtained for the stylus to trace the groove correctly.

Improper setting of the stylus force may cause the stylus to skip grooves or create inferior sound quality. Moreover, incorrect force could damage record or stylus or both. Follow the procedures below to adjust for specified stylus force of your cartridge.

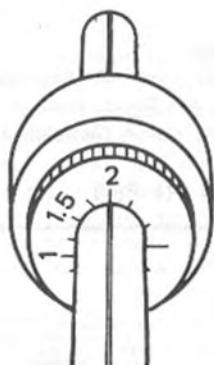
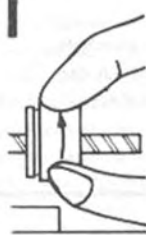
1. Place the assembled turntable unit on a level surface.
2. Plug the power cord into an AC outlet. Place a record on the platter.
3. Release the arm rest clamp.
4. Press PLAY/REJECT button. The turntable will turn and the tonearm will begin to move to the record.
5. Pull up the cueing stick so that the tonearm floats over the record.
6. Manually return the tonearm to the arm rest, and pull down the cueing stick. Turn and set the antiskating knob to "0".
7. Disconnect the power cord from the AC outlet, and the turntable will stop.
8. Manually detach the tonearm from the arm rest, and perform the following adjustment, taking care not to drop the tonearm.
9. Move the counterweight forward or backward by rotating it until the tonearm is balanced. A balanced tonearm should be level, and parallel to the turntable base. Be careful not to let the stylus touch the platter or any other object.
10. Return the tonearm to the arm rest. Turn the stylus force gauge until point 0 falls on the reference line on the tonearm. Do not turn the counterweight at this time.



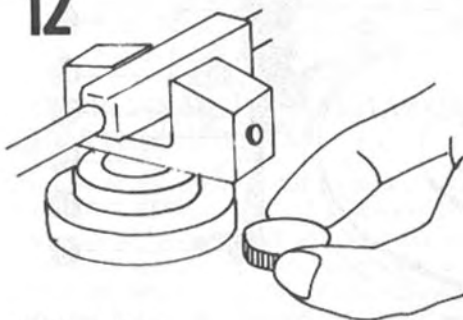
11. Turn the counterweight clockwise to set the gauge reading to the stylus force designated for your cartridge with reference to the line.

12. Turn and set the antiskating knob to the same value as the stylus force of your cartridge. Stylus force adjustment is now complete.

11



12



OPERATION

Automatic Play

1. Plug the power cord into an AC outlet.
2. Place a record on the platter. Use the EP adaptor when playing records with a large center hole.
3. Set the speed selector to released position for 33-1/3 rpm records, or to depressed position for 45 rpm records.
4. Set the record size selector to released position for 30cm records, or to depressed position for 17cm records.
5. Release the arm rest clamp.
6. Check to see that the cueing stick is in down position.
7. Press the PLAY/REJECT button. The turntable will begin to rotate while the tonearm automatically moves over the record and descends onto it.
8. When the play is finished, the tonearm will automatically return to the arm rest and the turntable will stop. If you wish to stop the turntable midway through a record, press the PLAY/REJECT button and the tonearm will return to the arm rest, after which the turntable will stop.

Manual Play

1. Place a record on the platter. Use the EP adaptor when playing records with a large center hole.
2. Set the record size selector to the appropriate position.
3. Set the speed selector to the appropriate position.
4. Release the arm rest clamp.
5. Manually move the tonearm to the desired position over the record. The turntable will start to rotate automatically.
6. Pull down the cueing stick to lower the tonearm, and play will start.
7. If you wish to stop the turntable midway through a side, press PLAY/REJECT button. The tonearm will automatically return to the arm rest and the turntable will stop. When the side is finished, the tonearm will again automatically return to the arm rest and the turntable will stop.

Note: If the tonearm is returned manually to arm rest (using the cueing stick) midway

through a side, the automatic mechanism will be suspended in "play", allowing the turntable to continue rotation. In that case, press the PLAY/REJECT button to stop the turntable. If you stop the turntable by turning off the amplifier or receiver to which the turntable is connected instead of pressing the PLAY/REJECT button, the following may occur the next time you operate the turntable:

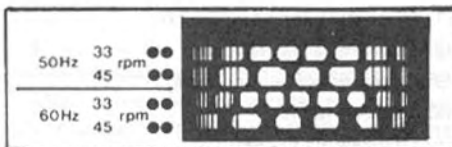
- a) In manual playing, the turntable will not start when the tonearm is moved over the record;
- b) Automatic play will not start when the PLAY/REJECT button is pressed.

In such cases, initiate normal operation as follows:

- In case a), press the PLAY/REJECT button.
- In case b), press the PLAY/REJECT button a second time.

ADJUSTING TURNTABLE SPEED

The turntable speed can be fine-adjusted. During play the stroboscope displays stroboscopic bars provided inside the platter rim. The stroboscopic bars will drift when the speed control knob is turned; turning the control knob to "F" direction will move the bars in the direction as the turntable rotation, and turning to "S" direction will move them against the turntable rotation. Proper turntable speed is obtained when the stroboscopic bars remain stationary. The four rows of stroboscopic bars correspond to respective turntable speed vs. household power frequency.



SPECIFICATIONS

MotorDC FG servo motor
DriveBelt-drive system
Speeds33-1/3 and 45 rpm
Wow and Flutter0.03% (WRMS)
Signal-to-Noise Ratio60dB (IEC-B) 70dB (DIN-B)
PlatterAluminum diecast (310mm diameter with strobe pattern underneath)
TONEARM	
TypeStatic-balanced straight pipe arm, with plug-in headshell, oil-damped cueing device, direct-readout stylus gauge counterweight, antiskating device.
Overhang15mm
Effective Length215mm
Vertical/Horizontal SensitivityLess than 200mq
Tracking Error+2.5° to -1.4°
Suitable Cartridge Weight2.5g to 11g
Suitable Stylus Pressure0.75g to 3g
MISCELLANEOUS	
Power Requirement100V/120V (50-60Hz) or 220/240V (50-60Hz) (depending on destinations)
Power Consumption4 watts
Dimensions (overall)430 (W) x 129 (H) x 388 (D) mm 16-15/16" x 5-3/32" x 15-9/32"
Weight (net)5.5kg/12.1 lbs.

CARTRIDGE: 2RC-1-01 (OPTIONAL)

Type	Moving Magnet type	Stylus Force Range1.5 to 2.5g
Frequency Response20 to 25,000Hz	Suitable Stylus Force2.0g
Channel Separation26dB at 1kHz	Stylus Tip0.5 mil diamond
Load Impedance47 kohms	Cartridge Weight5.7g
Dynamic Compliance8 x 10 ⁻⁶ cm/dyne	Replacement Stylus TipRN-1-01 (round)

• Specifications subject to change for improvement without prior notice.

MAINTENANCE

1. Keep the stylus tip clean of dust. Clean the stylus carefully using a soft brush, and also clean the record before commencing play.
2. The stylus tip is very sensitive. Be careful not to touch it with a finger nor let it come in contact with solid objects.
3. The stylus is usually good for about 500 to 1,000 hours of continuous playing. A worn stylus will cause the record to be distorted and the record to be damaged. Be sure to use the correct replacement stylus matching your cartridge.
4. Do not move the turntable when it is operating. Never try to stop the platter forcibly by hand while it is rotating.
5. When replacing cartridge or stylus, make sure the power cord is unplugged.
6. Lubrication is unnecessary. Consult your dealer if necessity arises.
7. Always keep the unit clean. Use a soft dry cloth to clean the cabinet and the dust cover.

HOWLING AND HUM

Howling is usually caused by vibration of speakers, which affects the sensitive cartridge. If such a phenomenon occurs, relocate the turntable or speakers as far apart from each other as possible. Hum is usually caused by nearby appliances that use transformers or thermostat. Relocating the unit further away from the noise sources will readily solve the problem.