

**ROTEL®**  
**RP-510**  
**DIRECT-DRIVE**  
**SEMI-AUTOMATIC**  
**STEREO TURNTABLE**



**OWNER'S MANUAL**

## INTRODUCTION

Please read this owner's manual thoroughly to ensure correct operation of your new turntable.

Warning: To prevent fire or shock hazard, do not expose this appliance to moisture.

## NOMENCLATURE

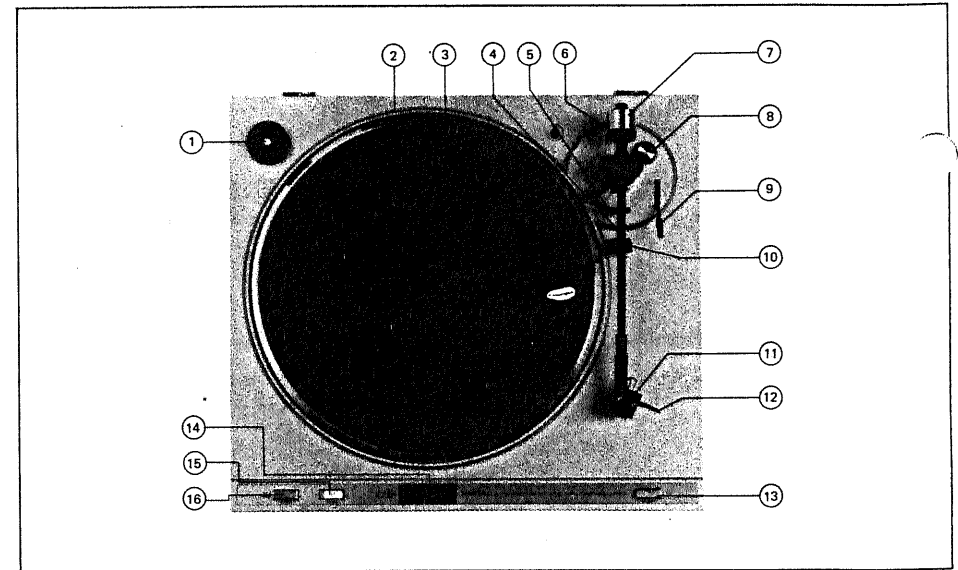


Fig. 1

- |                         |                       |
|-------------------------|-----------------------|
| 1. 45 rpm adaptor       | 9. Cueing lever       |
| 2. Platter              | 10. Arm rest + lock   |
| 3. Turntable mat        | 11. Headshell         |
| 4. Tonearm              | 12. Manual arm lifter |
| 5. Automatic arm lifter | 13. Reject button     |
| 6. Counter weight dial  | 14. Strobe window     |
| 7. Counter weight       | 15. Pitch control     |
| 8. Anti-skate control   | 16. Speed selector    |

## ASSEMBLY

1. Remove turntable, turntable mat, counter weight and head shell from the package. These parts are packed separately in the carton.
2. Attach dust cover at the rear of cabinet.
3. Set the voltage in accordance with the power source in your country. Please read carefully change of working voltage procedure.
4. Install the platter over the center spindle shaft bearing carefully.
5. Lay the turntable mat evenly over the turntable.
6. Insert counterweight onto rear of tonearm shaft and rotate to advance the position. Precise adjustment will be made later on (refer to stylus pressure adjustment).
7. Fit the head shell with cartridge to the tone arm. Secure with coupling ring by rotating the ring in the direction shown.

### EXCLUSIVE NOTE FOR U.K.

If your unit comes with a 2-core cable without a plug, make certain live and neutral leads are connected to the proper terminals. Check that the terminals are screwed down firmly and no loose strands of wire are present. **IMPORTANT:** The wires in this mains lead are coloured in accordance with the following code:

BLUE: NEUTRAL  
BROWN: LIVE

As the colours of the wires in the mains lead of this apparatus may not correspond with the coloured markings identifying the terminals in your plug proceed as follows.

The wire which is coloured BLUE must be connected to the terminal which is marked with the letter N or coloured BLUE or BLACK. The wire which is coloured BROWN must be connected to the terminal which is marked with the letter L or coloured BROWN or RED.

### STYLUS PRESSURE ADJUSTMENT

For proper performance of your phono cartridge, the stylus pressure must be adjusted to the tracking force recommended. Proceed as follows:

1. Unlock tonearm hook, also remove cartridge stylus cover.
2. Start motor running by moving the tonearm inwards. Insure that the cue lever is in down position so that the arm can move freely. Set anti-skate control to "0".

**NOTE:** If the arm lifter is sticky in operation at the beginning, slightly push down on the arm lifter with your fingers.

3. Zero-balance the arm by rotating the counter weight until the arm is laterally balanced.
4. Now adjust only the stylus pressure gauge ring so that the position "0" lines up with the WHITE line marked on the tonearm, being careful not to rotate the counterweight.
5. Finally rotate the counter-weight until the ring indicates 2.0(g).  
Adjust anti-skate control to same force as stylus tracking force.

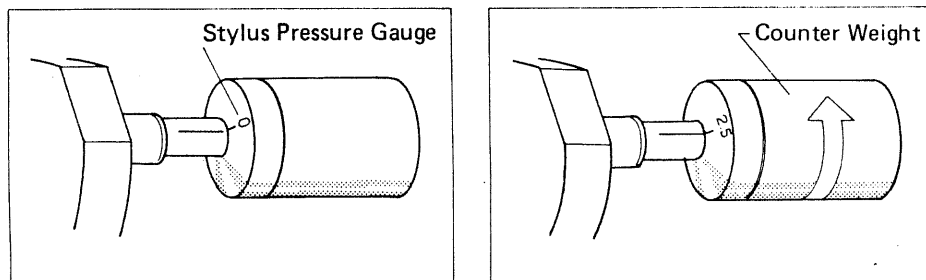


Fig. 2

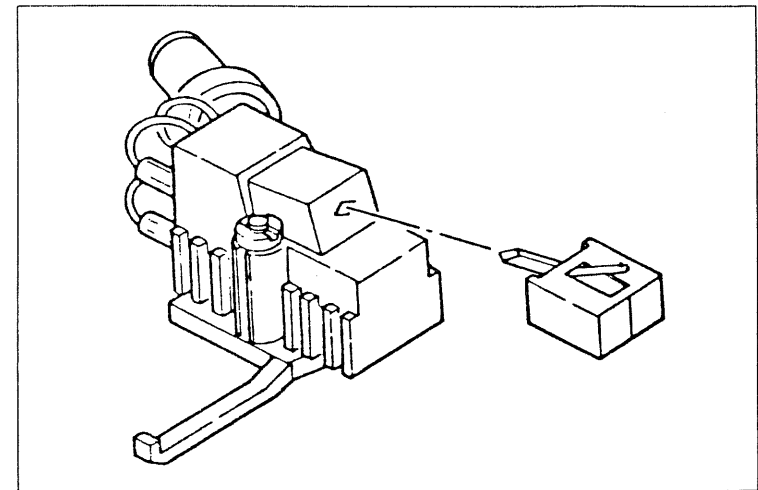


Fig. 3

### CARTRIDGE STYLUS REPLACEMENT

Cartridge stylus life with most diamond styli is approximately 500 hours. Follow Fig. 3 for replacement of stylus when necessary.

### ELECTRICAL CONNECTIONS

1. Connect the output cable to the "PHONO" input terminals of the amplifier, left channel output cable (white plug) to the "L" phono input terminal and right channel output cable (red plug) to the "R" phono input terminal.
2. Connect the AC power cord to the AC wall outlet.

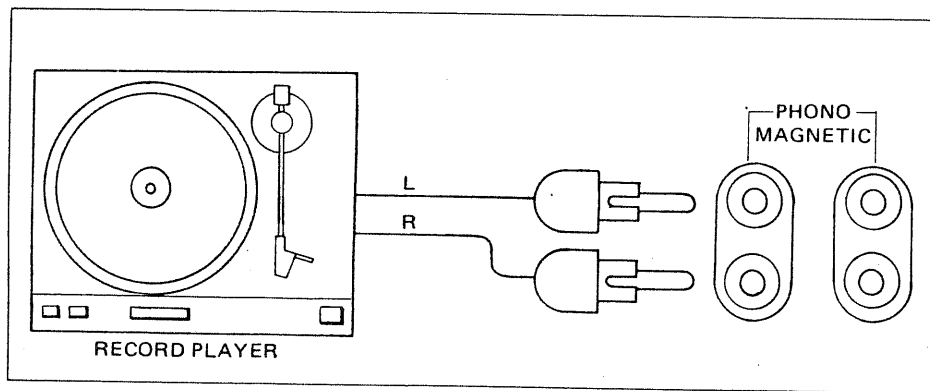
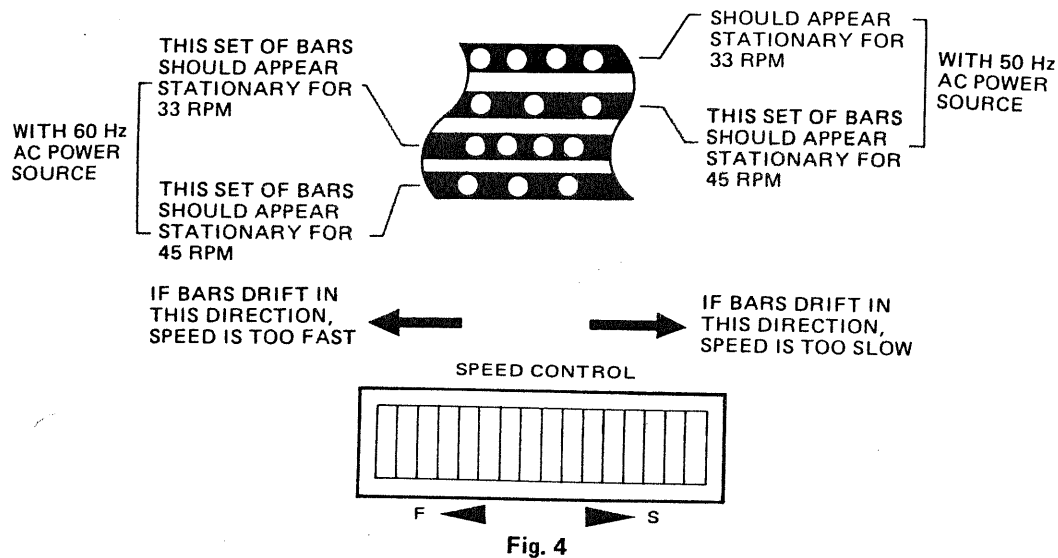
### SPEED ADJUSTMENT

The turntable is equipped with two independent speed controls — one for 33 R.P.M., the other for 45 R.P.M.

These are used in conjunction with the built-in strobe system to ensure the most precise speed when playing a record.

Four separate sets of bars have been placed on the outer rim of the turntable platter to aid in the precise speed adjustment of either of the two speeds when operating from an AC power source of 50 Hz or 60 Hz. See Fig. 4.

To check and adjust the speed, set the turntable in motion (preferably, during the actual playing of a record), and view the appropriate set of bars for the speed and power source being used, as indicated in Fig. 4. If the bars appear stationary, turntable speed is precisely correct. If the bars drift either to the left or right, the turntable speed is not correct and the appropriate speed control should be used to bring the bars into a stationary condition. If the bars drift to the left, speed is too fast; if the bars drift to the right, speed is too slow. The direction in which the speed controls should be turned to correct for fast or slow speed is as shown below.



## OPERATION

1. Free the tonearm from the arm clamp.
2. Place cueing lever in "UP" position.
3. Move tonearm toward the record and turntable will start revolving automatically. Position stylus over the desired groove.
4. Select the proper speed (33 1/3 or 45 rpm) using speed selector control. Be sure to change speed only while turntable is revolving in order to prevent damage to turntable drive belt.
5. Shift the cueing control to "DOWN" position, and arm will slowly lower to record surface.
6. When record is finished, tonearm will return to the arm rest and turntable will shut off automatically.
7. If it is desired to terminate the play before the record is finished, push the reject button and the unit will shut off in the same manner as above.

## CAUTIONS

1. While tonearm is automatically returning to the arm rest, do not manually interfere with it. Mechanical trouble may result.
2. When moving the tonearm by hand, do not force it outward of the arm rest or inward of the last groove of the record.
3. To prevent possible damage to records and stylus, the cueing control should be used at all times to lower the tonearm onto the record surface.

## SPECIFICATIONS

Type	Direct drive semi-automatic system with cueing
Turntable speeds	33 1/3 rpm and 45 rpm
Motor	FG servo direct drive motor
Turntable platter	30 cm (12-inch), Aluminium Diecast
Tonearm	Static balanced straight tonearm with direct readout stylus pressure and anti-skating control
Effective arm length	215 mm
Wow and Flutter	0.05% (JIS WRMS)
Signal/Noise Ratio	60 db (IEC-B) 70 db (DIN-B)
Power Requirements	AC 220-240V
Dimensions	430(W) x 375(D) x 138(H) mm
Power consumption	5 W
Weight	6 kg
Weight with packing	7.5 kg
Stylus pressure	2.0 g ± 0.5 g
Cartridge:	(optional)
Type	MM (moving magnet), type No. MM-107D
Frequency Response	20-20,000 Hz
Channel Separation	25 dB at 1 kHz
Load Impedance	50 k ohms
Stylus Pressure	1.5 ~ 2.5 g, suitable 2.0 g
Cartridge Weight	5.2 g
Replacement Stylus	MPC-7

NOTE: Specifications subject to change for improvement without prior notice.