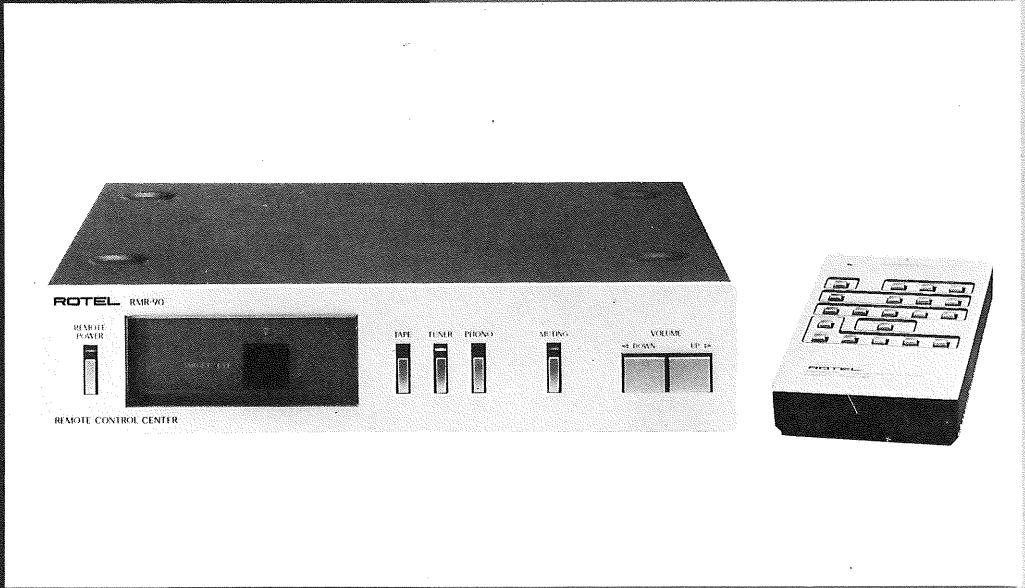


owner's manual



Quality. Uncompromised.

ROTEL[®] RMR-90

MICRO
REMOTE CONTROL CENTER

ENGLISH	1	ITALIANO	21
DEUTSCH	5	SVENSKA	25
FRANÇAIS	9	SUOMI	29
NEDERLANDS	13	DANSK	33
ESPAÑOL	17	NORSK	37

WARNING
TO PREVENT FIRE OR SHOCK HAZARD,
DO NOT EXPOSE THIS APPLIANCE TO
RAIN OR MOISTURE

Write your SERIAL NUMBER here.
The number is located near the name
plate on the rear panel.



ENGLISH

MICRO REMOTE CONTROL CENTER RMR-90

INTRODUCTION

We at Rotel want to thank you for purchasing our audio product.

Rotel audio products are designed to use the latest electronic technology, and they incorporate our long experience as a specialist manufacturer of audio equipment. We are confident that you will find satisfaction in the high quality sound and top performance, and that you will find pleasure in the functional beauty achieved through human-engineering concept. Before starting operation, please read this instruction manual thoroughly and acquaint yourself with the proper mode of using the unit and all its connections.

We hope you will enjoy top-notch performance for many years to come.

POWER SUPPLY

Before plugging the main unit of the RMR-90 into a wall outlet, make sure its voltage rating which appears on the rear panel matches the voltage of the power source. Never attempt to connect the unit to a power source with voltage other than specified.

Power for components to be run under remote control with the RMR-90 transmitter unit, which include turntable, tuner, and amplifier/tape deck, is supplied through the a.c. outlets on the rear panel of the main unit*. Never attempt to use those outlets to connect any electric or electronic equipment other than those items mentioned above. Do not apply power without first making sure the proper connection are completed.

If you live in U.K. and your unit comes with 2-core code without a plug, be sure to read the exclusive caution for U.K.

*The RMR-90 can supply power to the following components simultaneously: Rotel stereo integrated amplifier RMA-90, AM/FM tuner RMT-90 (or RMT-90L), stereo turntable RP-700 and stereo cassette deck RMD-90.

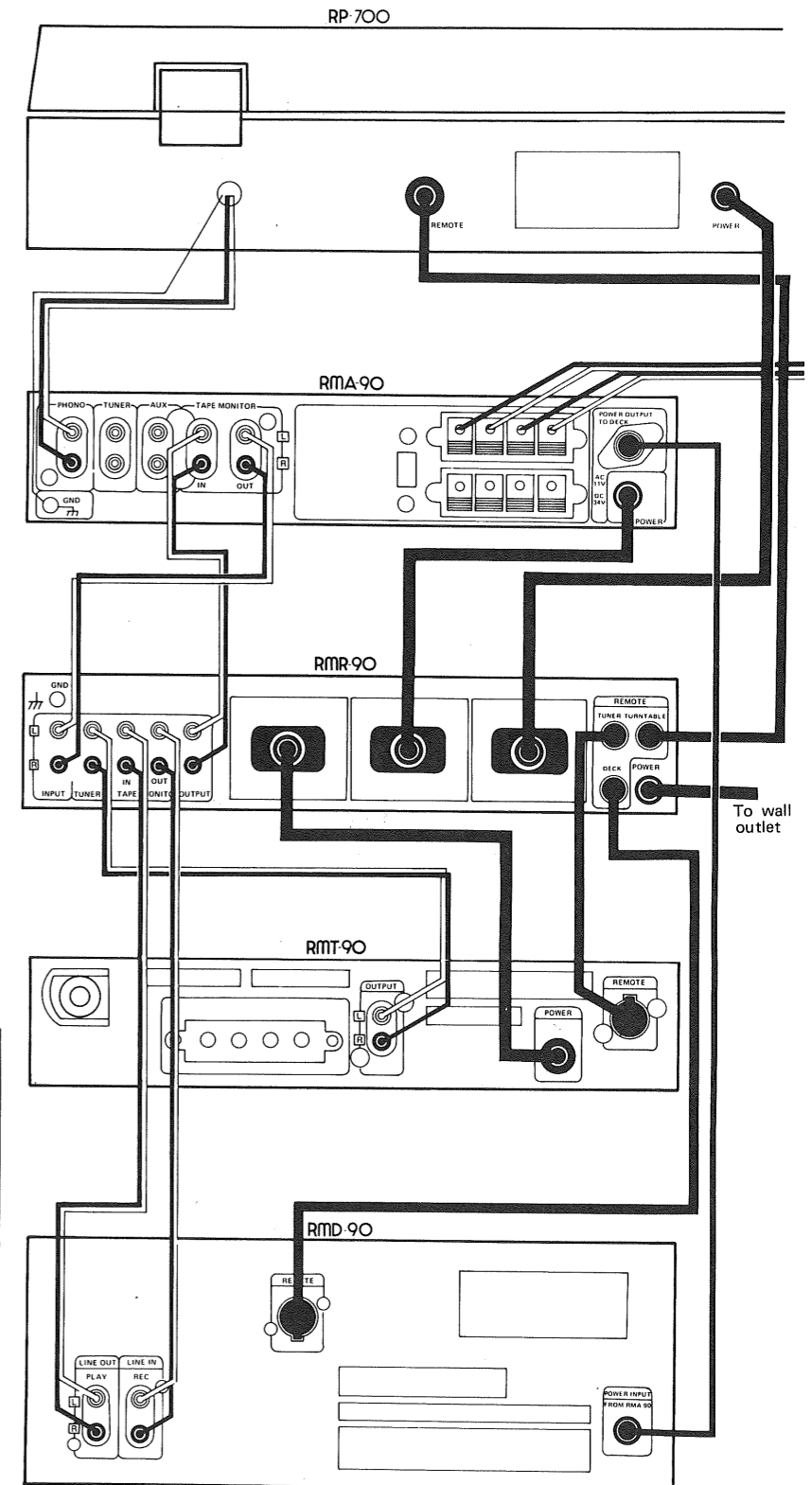
EXCLUSIVE NOTE FOR U.K.

If your unit comes with a 2-core cable without a plug, make certain live and neutral leads are connected to the proper terminals. Check that the terminals are screwed down firmly and no loose strands of wire are present.

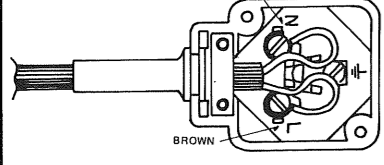
IMPORTANT: The wires in this mains lead are coloured in accordance with the following code:

BLUE: NEUTRAL
BROWN: LIVE

As the colours of the wires in the mains lead of this apparatus may not correspond with the coloured markings identifying the terminals in your plug proceed as follows. The wire which is coloured BLUE must be connected to the terminal which is marked with the letter N or coloured BLUE or BLACK. The wire which is coloured



BROWN must be connected to the terminal which is marked with the letter L or coloured BROWN or RED.



CONNECTING COMPONENTS

Connect all necessary audio components correctly, according to the illustration.

- POWER CORD
- RCA CORD (LEFT)
- RCA CORD (RIGHT)
- DIN CORD FOR REMOTE CONTROL

Connecting Power Cords

Connect the power cords from amplifier/tape deck, tuner, and turntable with the RMR-90 using the a.c. outlets on the rear panel; each component will then have a power supply when the REMOTE POWER switch on the RMR-90 is turned on.

Note: The RMD-90 is designed to receive power only through the special power supply socket on the rear panel of the integrated amplifier

RMA-90. Plug the power cord of the RMD-90 into the power supply socket of the RMA-90. Never attempt to connect the RMD-90 power cord to a wall outlet or convenience outlet in other audio components.

Connecting RCA Pin Cords

With RCA pin cords, connect INPUT terminals of the RMR-90 to TAPE MONITOR-1 OUT terminals on the amplifier. When function selector is set to PHONO, and tape monitor switch is set to TAPE 1 on the amplifier, the signal from turntable will be sent to the unit through the INPUT terminals. The RCA pin cords coming out of the turntable must be connected to the amplifier, not to the RMR-90 directly, because the signal from the turntable must pass through the equalizer amplifier section in the amplifier before being sent to the RMR-90.

Connect TUNER IN terminals on the RMR-90 to OUTPUT terminals on the tuner. Connect TAPE IN terminals on the RMR-90 to OUT (PLAY) terminals on the tape deck, and TAPE OUT terminals on the RMR-90 to the IN (REC) terminals on the deck.

Connect RMR-90 OUTPUT terminals to the TAPE MONITOR-1 IN terminals on the amplifier.

When connecting components with RCA pin cords, be sure to make correct left and right connections, observing the L (left) and R (right) markings on the rear panel of each com-

ponent.

Connecting DIN Cords for Remote Control

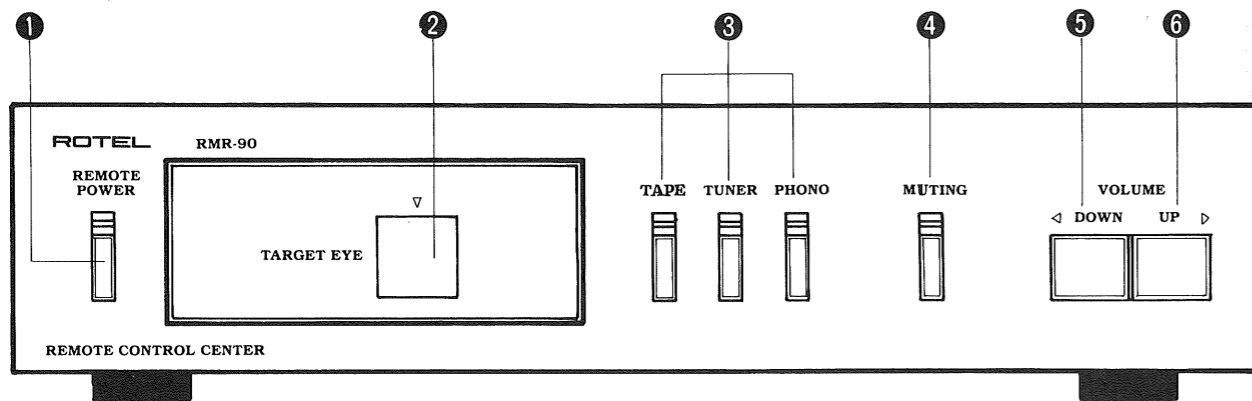
Three kinds of DIN cords extend from the rear panel of the RMR-90 for remote-control purpose — 3-pin, 8-pin and 10-pin ones.

Plug the 3-pin cord into the remote control socket on the rear panel of the turntable; the 8-pin cord into the remote-control socket on the rear of the tape deck; and the 10-pin cord into the remote-control socket on the rear of tuner. Be sure to insert pin plug of each cord all the way into the socket.

Note: Owner's manuals accompanying respective audio components give instructions for usage under normal circumstances only. When operating those components in conjunction with the RMR-90, follow the instructions given in this booklet first, for making connections and use of the equipment.

INSTALLATION

Be sure to place the unit in a level and flat place where it is free from humidity, vibration, high temperature and not exposed to direct sunlight. Be careful not to place the unit in a highly enclosed place such as near a wall or on a bookshelf. A poor ventilation will cause undesirable effects to the unit.



SWITCHES AND CONTROLS

(1) REMOTE POWER Switch

Press this button to turn on the amplifier, tuner, tape deck, or turntable. Press the button a second time to turn off. The RMR-90 main unit receives a constant supply of power as long as the unit's power cord is connected to a wall outlet.

(2) Target Eye

Receives operating commands in the form of infrared beams emitted from the remote transmitter unit.

(3) Function Selector

Used to select program sources: Press TAPE button to hear signal from the tape deck; TUNER button for signal from tuner; and PHONO button for signal from turntable. LED indicators above each button show which function is selected.

The above controls can also be carried out by means of the remote transmitter.

(4) Audio Muting Button

Pressing this button will immediately cause

a large reduction in volume level of the sound, and pressing it a second time will restore the previous volume. This button is most useful when you wish a temporary period of quieter sound. When the audio muting is in operation, the LED indicator above the button glows. The above control can also be carried out by means of the remote transmitter.

(5) Volume Control DOWN (<)

This button is used to reduce the volume level of the sound. The volume decreases gradually when the button is kept pressed. The above control can also be carried out by means of the remote transmitter.

(6) Volume Control UP (>)

Used to raise the volume level of the sound. The volume increases gradually when the button is kept pressed. The maximum controllable volume level is determined by the preset position of the volume control knob on the amplifier.

The above control can also be carried out by means of the remote transmitter.

(7) Infrared Eye

To send operating command, the infrared eye transmits an infrared beam to the target eye on the main unit.

(8) Indicator Lamp

This indicator glows when the remote transmitter unit is emitting an infrared beam.

(9) POWER Switch

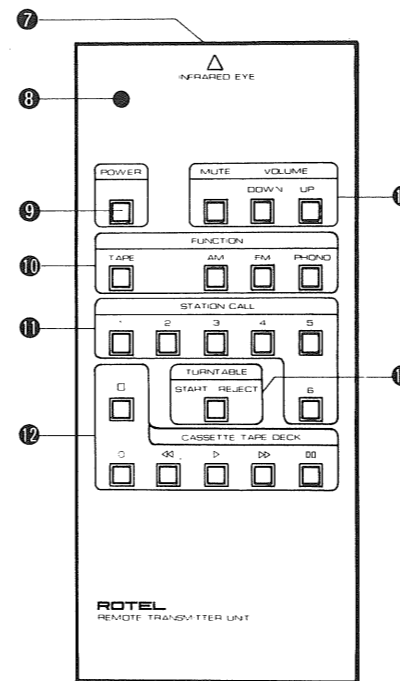
Press this button to turn on power in amplifier, tuner, turntable, and tape deck. Press the button a second time to turn off.

(10) Function Selector

Selects the desired program source; press TAPE button for sound from tape deck, AM button for AM broadcast from tuner, FM button for FM broadcast, and PHONO button for sound from turntable.

(11) Station Buttons

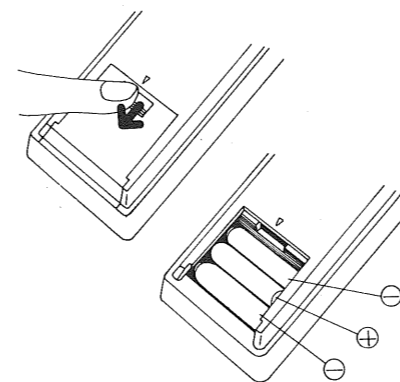
These buttons are used to call up preset stations stored in the memory of tuner. The numbers 1 through 5 above the respective buttons correspond to the station button numbers on the tuner (station button 6 is not for the RMT-90 or RMT-90L).



OPERATION

• The RMR-90 Remote Control Center lets you remote-control each system component by means of an infrared beam. The RMR-90 consists of a main unit with a target eye (infrared beam receptor), and remote transmitter unit with infrared eye (infrared beam emitter). With the transmitter unit in your hand, you can control power on/off throughout the entire system, selection of program source, calling up preset broadcast stations, starting or stopping record play, operation of cassette mechanism, and volume level of the sound. All this can be done from where you are, with no need to move to the equipment and handle it directly.

• Fit three SUM-3 ("AA") dry batteries into the remote transmitter unit, correctly matching the polarity markings "+" and "-". The life expectancy of the batteries in the unit should be about two years. If the indicator lamp does not light up even if the control buttons are operated, or if the unit malfunctions, the cause may be dead batteries. Replace all three batteries with new ones.



(12) Cassette Control Buttons

These buttons are used to control the tape deck transport mechanism. Press ■ button to disengage playback, record, fast-forward, or rewind mode.

Use ● button when you wish to record. This button works differently from the REC (●) button on the tape deck. Press the button to put the deck in the recording standby state, and then press ■ button to start the tape.

Press ◀ button to rewind tape.

Press ▶ button to play back tape.

Press ►► button to advance tape rapidly forward.

Press ■ button for temporary suspension of tape motion during recording or playback. Pressing the button a second time will restart the tape, returning the deck to mode before interruption.

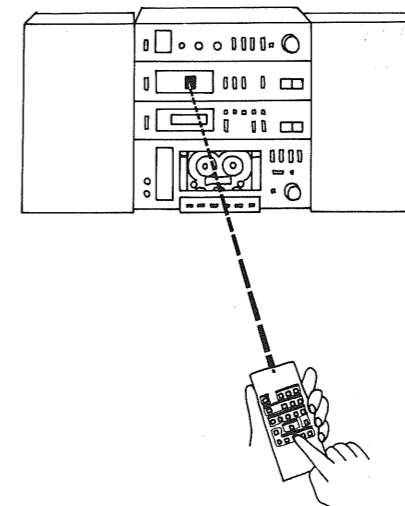
(13) Start/Reject Button

Use this button to control the turntable. Press the button to start the play, and press it a second time to stop the play, and the tone arm returns to the arm rest.

(14) Volume Control Buttons/Audio Muting Button

These buttons work in the same manner as those for UP/DOWN volume control buttons and audio muting button on the main unit.

• When you use the remote transmitter unit to control the system, the infrared eye of the unit should be oriented towards the target eye on the main unit. If there is an obstacle between the transmitter and the target eye that blocks the path of the light beam, or if you are too far away from the main unit, remote control is impossible. Be sure that you are in a position where you can see the main unit without obstruction, and not more than six meters away from the main unit.



• Before beginning operation, make sure that power cord connections for each component, DIN cord connections for remote-control, RCA cord connections, etc. are all correct.

• Set the function selector on amplifier to PHONO, and tape monitor switch to TAPE 1. Set the volume control on the amplifier to position zero (0).

Initial Operation and Function Checks

1. Plug the RMR-90 power cord into a wall outlet.

2. TAPE indicator (red) and TUNER indicator (green) both light up.

Note: At this time, one or more of the REMOTE POWER, PHONO, and/or AUDIO MUTING indicators may light up. If they do, press REMOTE POWER button or AUDIO MUTING button to turn off the indicator above the button. To turn off PHONO indicator, press TUNER button; the TUNER indicator will light up instead.

3. Press TAPE button to turn off the indicator above the button.

4. Press REMOTE POWER button and the red indicator above the button lights up. Next, activate power buttons on amplifier, tuner, and turntable.

5. In that state, TUNER indicator on the RMR-90 glows to show that the unit is feeding signal from the tuner. Tune in to the desired station using the tuner.

6. Set the volume control on amplifier to the appropriate position.

7. Press the volume UP button on the RMR-90 to raise the volume level; keep the button pressed and the volume increases to the fixed level preset by the volume control knob on amplifier. This is the maximum controllable level with the given setting of the control knob. If you desire higher volume, reset the knob to a higher level.

8. Press the volume DOWN button on the main unit to reduce the volume to normal listening level.

9. Orient the infrared eye of the remote transmitter unit towards the target eye on the main unit. Press POWER switch on the remote transmitter unit. Check that each time the POWER switch is pressed, the REMOTE POWER indicator on the main unit goes on and off alternately.

When the remote transmitter unit POWER

switch is activated, the control buttons on the unit are operative.

10. After completing the above procedures to confirm normal operation, turn off the power by pressing REMOTE POWER button on the main unit or POWER button on the remote transmitter unit.

Note that the main unit is constantly supplied with power even after the power switch has been turned off. Do not disconnect the a.c. power cord of the main unit from the outlet.

Now you can enjoy listening and have complete control over the system with the remote transmitter unit, following the steps below.

Listening to AM/FM Broadcast

1. Turn on POWER switch.
2. Press AM or FM button on the function selector.
3. Press the station button for which the desired broadcasting station is memorized.
Note: The station button 6 is not for the RMT-90 (or RMT-90L).
4. Keep volume control button UP pressed until desired volume level is reached.

Record Playing

1. Turn on POWER switch.
2. Press PHONO button on the function selector.
3. After making sure a record is placed on the turntable, press START/REJECT button to start play.
4. Keep volume control button UP pressed until desired volume level is reached.
Note: When placing a record on the turntable, be sure to set the speed and size selectors on the turntable according to the record.

Tape Playback

1. Turn on POWER switch.
2. Press TAPE button on the function selector.
3. After making sure a cassette tape is properly loaded into the cassette deck, start playback using the cassette control buttons.
4. Keep volume control button UP pressed until desired volume level is reached.
Note: When loading cassette tape, set tape selector on the tape deck to the position that accords with type of tape.

Recording Program Sources

1. Turn on POWER switch.
2. Press appropriate button on the function selector, AM, FM, or PHONO, according to the program source you wish to record, and put the equipment into play mode.
3. After making sure a cassette tape is in the tape deck, start recording by using cassette control buttons.
4. The program source can be heard during recording.
Note: The signal sent through the TAPE OUT terminals on the RMR-90 is not affected by operation of volume control, etc.

VOLTAGE SELECTION

Not available for U.K., Canada and Scandinavia
The unit is a variable voltage equipment that can run on 120V, 220V or 240V power supply. Your unit should already be preset at the proper voltage for use in your area. However, if you move to an area where the power supply voltage is different, consult your dealer.

SPECIFICATIONS

MAIN UNIT

IC9
Transistor24
Diode38
Ceramic Oscillating Element1
Relay2
Light Emitting Diode (LED)5
Range of Operation6m
Power Requirement120V/60Hz, 220V/50Hz, 240V/50Hz, 120, 220, 240V/50-60Hz

Dimensions (Overall)279 (W) x 66 (H) x 262 (D) mm
11" x 2-19/32" x 10-5/16"

Weight2.6kg/5.72 lbs.

TRANSMITTER UNIT

IC1
Transistor3
Diode2
Ceramic Oscillating Element1
Infrared Light-Emitting Diode2
Light Emitting Diode (LED)1
Power RequirementSUM-3 (UM-3) dry battery (1.5VDC) x 3
Dimensions (Overall)74 (W) x 24 (H) x 172 (D) mm 2-29/32" x 15/16" x 6-25/32"

Weight185g/6.53 ozs.

• Specifications and design subject to possible modification without notice.

DEUTSCH

MICRO-FERNBEDIENEINHEIT RMR-90

EINFÜHRUNG

Rotel bedankt sich für den Kauf dieses Audio-Produktes. Die Audio-Produkte von Rotel sind nach der neuesten elektronischen Technologie entwickelt und spiegeln die lange Erfahrung eines Fachherstellers von Audio-Geräten wider. Wir sind sicher, daß Sie mit der hohen Klangqualität und der erstklassigen Ausführung zufrieden sind. Die mit hervorragendem Ingenieurwissen erreichte brillante Technik des Gerätes wird Ihnen sicher viel Freude bereiten. Lesen Sie aber vor dem Betrieb des Gerätes diese Bedienungsanleitung sorgfältig durch, damit Sie mit den Besonderheiten und dem richtigen Anschluß des Gerätes vertraut werden. Und nun viel Spaß!

STROMVERSORGUNG

Überprüfen Sie vor dem Anschluß des RMR-90 an eine Wandsteckdose, ob die an der Rückseite angegebene Voltzahl mit der örtlichen Netzspannung übereinstimmt. Versuchen Sie niemals, das Gerät mit einer anderen Netzspannung als die angegebene zu betreiben. Die Stromversorgung für die mit der Fernbedieneinheit fernzusteuern Geräte wie Plattenspieler, Tuner, Tonbandgerät und Verstärker erfolgt über die Kaltgeräte-Steckdosen an der Rückseite des Steuergerätes*. Versuchen Sie niemals, andere elektrische oder elektronische Geräte an diese Kaltgeräte-Steckdosen anzuschließen; sie dienen ausschließlich zur Stromversorgung der oben genannten Geräte. Versichern Sie sich vor dem Einschalten des Gerätes, daß alle Verbindungen richtig hergestellt sind.

*Das RMR-90 kann folgende Geräte gleichzeitig mit Strom versorgen: Rotel-Stereo-Vollverstärker RMA-90, MW/UKW-Tuner RMT-90 (oder RMT-90L), Stereo-Plattenspieler RP-700 und Stereo-Cassettendeck RMD-90.

ANSCHLUSS DER KOMPONENTEN

Schließen Sie alle Audio-Komponenten entsprechend der Illustration an.

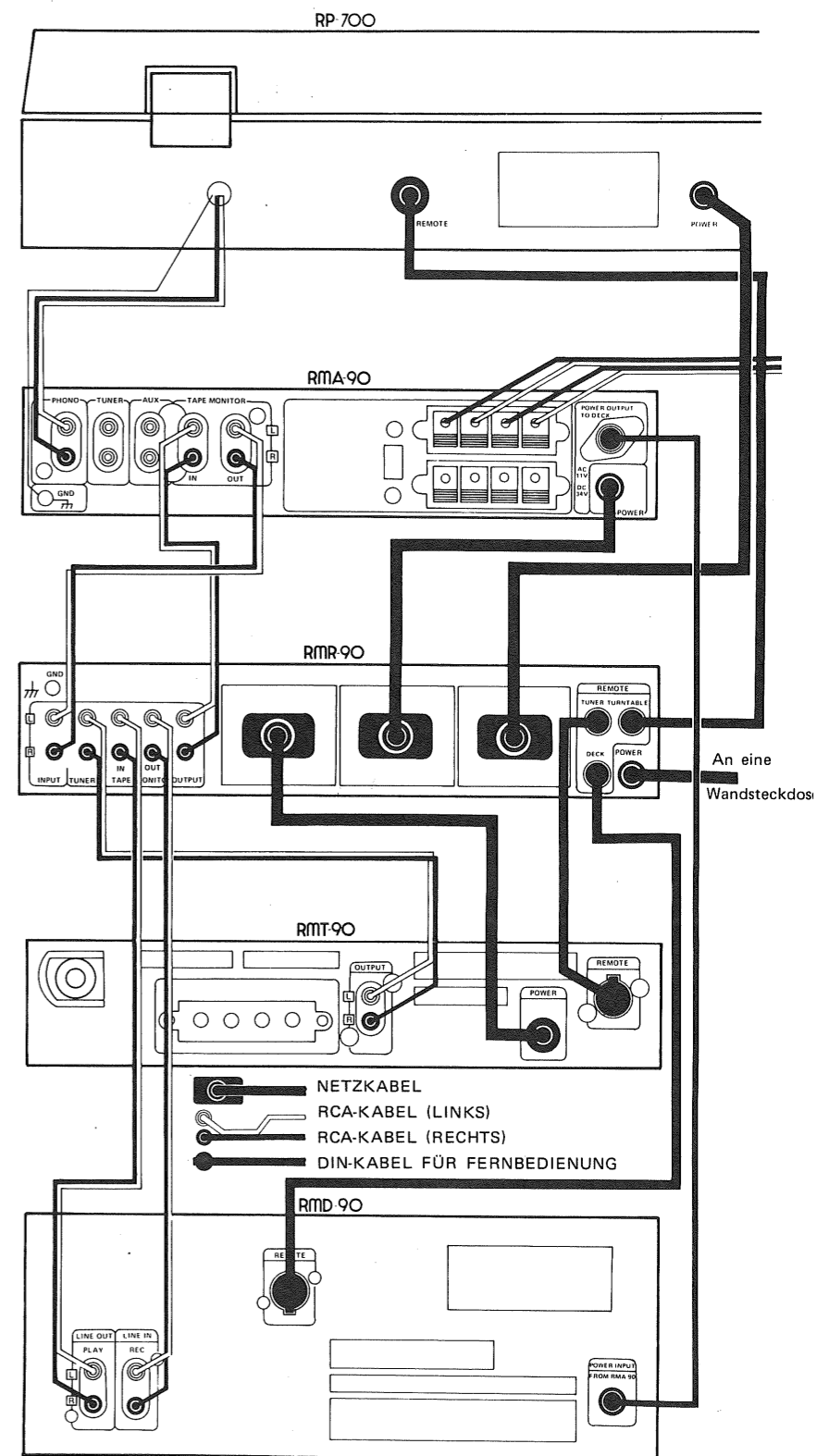
• Anschluß der Netzkabel

Schließen Sie die Netzkabel von Verstärker/Deck, Tuner und Plattenspieler an die Kaltgeräte-Steckdosen an der Rückseite des RMR-90 an; alle Komponenten werden dann mit dem REMOTE POWER-Schalter des RMR-90 ein- und ausgeschaltet.

Hinweis: Das RMD-90 kann nur über den Spezialanschluß an der Rückseite des Vollverstärkers RMA-90 mit Strom versorgt werden. Kein anderer Stromanschluß ist möglich. Stecken Sie den Anschlußstecker des RMD-90 in diese Spannungsversorgungsbuchse des RMA-90. Versuchen Sie niemals, den Stecker in eine Wandsteckdose oder in eine Kaltgeräte-Steckdose eines anderen Audio-Gerätes zu stecken.

• Anschluß der RCA-Steckerkabel

Verbinden Sie die INPUT-Anschlüsse des



RMR-90 mit den TAPE MONITOR-1 OUT-Anschlüssen des Verstärkers. Wenn der Eingangswähler des Verstärkers auf PHONO und der Tonbandmonitorschalter auf TAPE 1 gestellt sind, dann gelangen die Signale vom Plattenspieler über die INPUT-Anschlüsse zum Steuergerät. Die Tonleitungen des Plattenspielers dürfen nicht direkt mit dem RMR-90 verbunden werden; sie müssen an den Verstärker angeschlossen werden, da die Signale vom Plattenspieler zuerst den Equalizer-Teil des Verstärkers durchlaufen müssen, bevor sie zum RMR-90 gelangen. Verbinden Sie die TUNER IN-Anschlüsse des RMR-90 mit den OUTPUT-Anschlüssen des Tuners. Verbinden Sie die TAPE IN-Anschlüsse des RMR-90 mit den OUT (PLAY)-Anschlüssen des Tonbandgerätes und TAPE OUT des RMR-90 mit IN (REC) des Cassettendecks.

Verbinden Sie die RMR-90 OUTPUT-Anschlüsse mit den TAPE MONITOR-1 IN-Anschlüssen des Verstärkers.

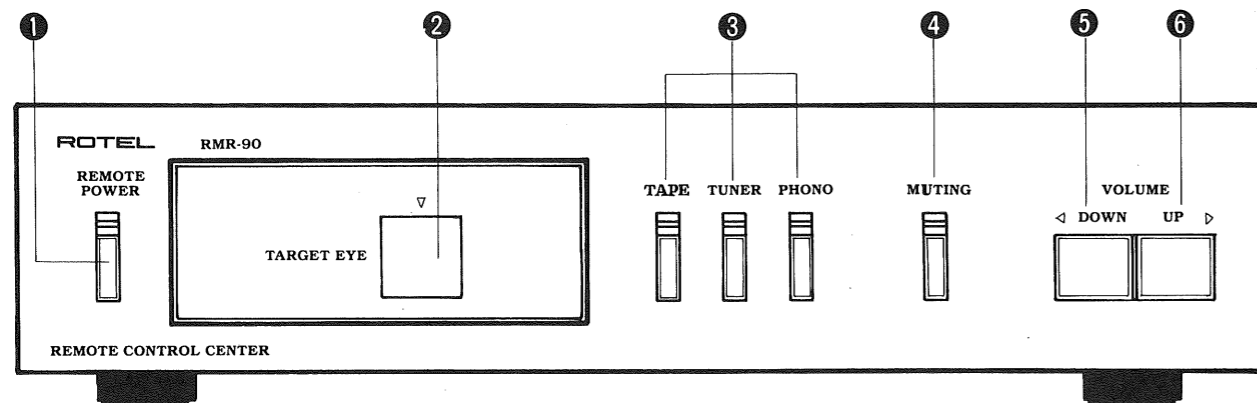
Achten Sie beim Anschluß der Komponenten immer darauf, daß die Stereokanäle nicht vertauscht werden. Verbinden Sie immer die

L-Buchse (linker Kanal) des einen Gerätes mit der entsprechenden L-Buchse des anderen und R (rechter Kanal) mit R.

● Anschluß der DIN-Fernbedienungskabel

Aus der Rückseite des RMR-90 kommen drei verschiedene DIN-Kabel heraus, die zur Fernbedienung der Komponenten dienen — ein 3 poliges, 8 poliges und 10 poliges Kabel. Verbinden Sie das 3 polige Kabel mit der Fernbedienungsbuchse an der Rückseite des Plattenspielers, das 8 polige mit der Fernbedienungsbuchse an der Rückseite des Cassettendecks und das 10 polige Kabel mit der Fernbedienungsbuchse an der Rückseite des Tuners. Stecken Sie die Stecker ganz in die Buchse hinein.

Hinweis: In den Bedienungsanleitungen der betreffenden Audio-Komponenten finden Sie nur eine Anleitung für den normalen Betrieb ohne Fernbedienung. Folgen Sie daher den in dieser Bedienungsanleitung angegebenen Anleitungen für den Anschluß und den Betrieb mit dem RMR-90.



SCHALTER UND REGLER

(1) REMOTE POWER-Schalter

Drücken Sie diese Taste zum Einschalten des Verstärkers, Tuners, Decks oder Plattenspielers. Nochmaliger Druck bewirkt Ausschalten dieser Geräte. Das Steuergerät RMR-90 wird ständig mit Strom versorgt, solange sein Netzkabel in einer Wandsteckdose steckt.

(2) Infrarotsensor

Dieser Sensor empfängt alle Arbeitsbefehle, die mittels Infrarotstrahlen vom Fernbedienungsgeber übermittelt werden.

(3) Funktionswähler

Hiermit wird die Programmquelle gewählt: Drücken Sie die TAPE-Taste, wenn Sie das Deck betreiben möchten, die TUNER-Taste zur Wahl des Tuners und die PHONO-Taste zur Wahl des Plattenspielers. LED-Anzeigen über den Tasten zeigen optisch die gewählte Programmquelle an.

Die oben genannten Einstellungen können ebenfalls am Fernbedienungsgeber durchgeführt werden.

(4) Audio-Stummtaste

Durch Druck dieser Taste wird die Lautstärke stark vermindert. Durch nochmaligen Druck wird der ursprüngliche Lautstärkepegel wieder-

hergestellt. Benutzen Sie diese Taste, wenn Sie die Lautstärke kurzzeitig vermindern wollen. Bei aktivierter Stummschaltung leuchtet die LED über der Taste.

(5) Lautstärketaste DOWN (<)

Diese Taste dient zur Verminderung der Lautstärke. Die Lautstärke nimmt gleichmäßig ab, solange die Taste gedrückt gehalten wird. Die obige Funktion ist ebenfalls fernbedienbar.

(6) Lautstärketaste UP (>)

Diese Taste dient zur Erhöhung der Lautstärke. Die Lautstärke nimmt gleichmäßig zu, solange die Taste gedrückt gehalten wird. Die maximale regelbare Lautstärke ist durch die Stellung des Lautstärkereglers am Verstärker.

(7) Infrarotsender

Hier tritt der Infrarotstrahl aus, der die Arbeitsbefehle zum Infrarotsensor des Steuergerätes übermittelt.

(8) Anzeigelampe

Diese Lampe leuchtet, wenn der Fernbedienungsgeber einen Infrarotstrahl aussendet.

(9) POWER-Schalter

Drücken Sie zum Einschalten des Verstärkers, Tuners, Plattenspielers und des Cassettendecks

AUFSTELLUNG

Stellen Sie das Gerät auf eine waagerechte und ebene Oberfläche, wo es vor Feuchtigkeit, Vibrationen, hohen Temperaturen und direkter Sonnenbestrahlung geschützt ist. Achten Sie darauf, daß Sie das Gerät nicht an einen Ort aufstellen, wo die Luftzufuhr beeinträchtigt ist, z.B. nahe einer Wand oder in einem Bücherregal. Eine schlechte Belüftung kann unerwünschte Störungen des Gerätes zur Folge haben.

diese Taste. Nochmaliger Druck bewirkt Ausschalten dieser Geräte.

(10) Funktionswähler

Dient zur Wahl der Programmquelle: Drücken Sie die TAPE-Taste, wenn Sie das Cassettendeck betreiben möchten, die AM-Taste zur Wahl von MW-Programmen vom Tuner, die FM-Taste für UKW-Programme und die PHONO-Taste zur Wahl des Plattenspielers.

(11) Stationstasten

Mit diesen Tasten werden die im Speicher des Tuners eingespeicherten Stationen abgerufen. Die Tasten 1 bis 5 entsprechen den Stationstasten am Tuner. (Die Stationstaste Nr. 6 arbeitet bei Anschluß des Tuners RMT-90/RMT-90L nicht.)

BETRIEB

• Das RMR-90 Fernbedienungssystem erlaubt die getrennte Fernbedienung jedes angeschlossenen Gerätes mit Hilfe eines Infrarotstrahls. Das System besteht aus dem Steuergerät mit einem Infrarotsensor (Infrarot-Empfänger) und dem Fernbedienungsgeber mit einem Infrarotsender. Aus einer Entfernung können Sie mit dem Geber Ihre gesamte Stereoanlage ein- und ausschalten, Programme wählen, Rundfunkstationen einstellen, den Plattenspieler bedienen, den Bandlauf des Cassettendecks steuern und die Lautstärke verändern. Und das alles von Ihrem Sessel aus.

• Legen Sie drei SUM-3-Trockenbatterien in den Fernbedienungsgeber ein; achten Sie dabei auf richtige Polarität. Die Lebensdauer der eingelegten Batterien beträgt etwa 2 Jahre. Wenn die Anzeigelampe selbst bei Betätigung der Tasten nicht leuchtet, oder das Gerät nicht mehr richtig zu arbeiten scheint, dann sind wahrscheinlich die Batterien leer und müssen durch neue ausgetauscht werden.

(12) Cassetten-Funktionstasten

Mit diesen Tasten wird der Bandlauf des Decks gesteuert. Drücken Sie die ■-Taste, um die Betriebsarten Wiedergabe, Aufnahme, Schnellvorlauf und Rückspulen aufzuheben.

Wenn Sie Aufnahmen machen wollen, drücken Sie die ●-Taste. Diese Taste arbeitet anders als die REC (●)-Taste am Deck. Drücken Sie die Taste, um das Deck in Aufnahme-Bereitschaft zu bringen und dann die II-Taste, um den Bandlauf zu starten.

Drücken Sie die ◀-Taste zum Rückspulen des Bandes.

Drücken Sie die ▶-Taste zur Wiedergabe.

Drücken Sie die ►-Taste zum schnellen Vorspulen des Bandes.

Drücken Sie die II-Taste, um das Band wäh-

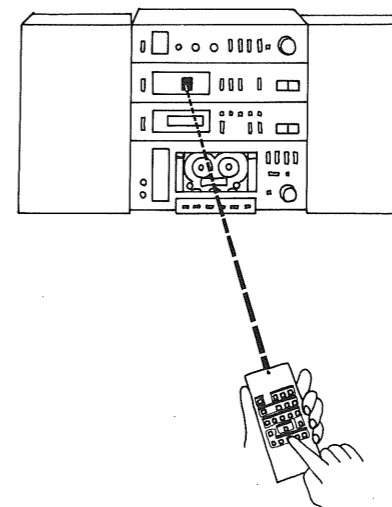
rend der Wiedergabe oder Aufnahme kurzzeitig anzuhalten. Durch nochmaligen Druck dieser Taste wird das Deck in die vorherige Betriebsart zurückgesetzt.

(13) Start/Reject-Taste

Zum Steuern des Plattenspielers. Drücken Sie die Taste zum Abspielbeginn und ein zweites Mal zum Beenden des Abspielvorgangs; der Tonarm kehrt zur Armstütze zurück.

(14) Lautstärketasten/Audio-Stummtaste

Die Funktion dieser Tasten ist dieselbe wie bei den entsprechenden Tasten am Steuergerät.



werden. Wenn Sie die Lautstärke mit der UP-Taste über diesen Pegel hinaus erhöhen wollen, dann müssen Sie den Lautstärkereglers auf einen höheren Wert einstellen.

8. Drücken Sie die Lautstärketaste DOWN des Steuergerätes, um die Lautstärke auf den gewünschten Hörpegel zu vermindern.

9. Halten Sie den Fernbedienungsgeber so, daß der Infrarotsender in Richtung des Infrarotsensors des Steuergerätes zeigt. Drücken Sie die POWER-Taste des Gebers. Überprüfen Sie, ob die REMOTE POWER-Anzeige am Steuergerät bei jedem Druck an bzw. ausgeht.

Bei eingeschaltetem POWER-Schalter des Gebers sind die anderen Tasten betriebsbereit.

10. Nach diesen Überprüfungen des normalen Betriebs schalten Sie die Stereoanlage durch Druck der REMOTE POWER-Taste am Steuergerät oder der POWER-Taste des Gebers aus.

Beachten Sie, daß selbst nach dem Ausschalten das Steuergerät weiterhin mit Strom versorgt wird. Ziehen Sie nicht den Netzstecker des Steuergerätes aus der Wandsteckdose.

Nun kommt das Vergnügen. Mit dem Fernbedienungsgeber in der Hand bedienen Sie nun bequem Ihre Stereoanlage vom Sessel aus. So wird's gemacht:

Hören von Rundfunkprogrammen

1. Schalten Sie den POWER-Schalter ein.
2. Drücken Sie die AM- oder FM-Taste der Funktionswahltasten.

3. Drücken Sie eine der Stationstasten, auf die eine Rundfunkstation programmiert ist.

Hinweis: Die Stationstaste Nr. 6 arbeitet bei Anschluß des Tuners RMT-90/RMT-90L nicht.)

4. Drücken Sie die Lautstärketaste UP so lange, bis die gewünschte Lautstärke erreicht ist.

Plattenspielen

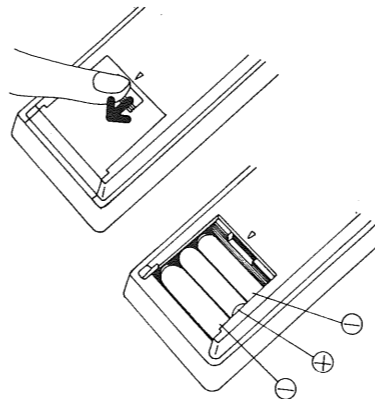
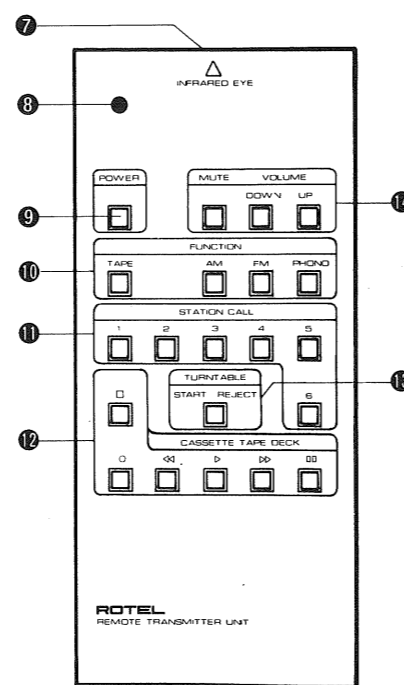
1. Schalten Sie den POWER-Schalter ein.

2. Drücken Sie die PHONO-Taste der Funktionswahltasten.

3. Vergewissern Sie sich zuerst, daß eine Platte aufliegt, und drücken Sie dann die START/REJECT-Taste.

4. Drücken Sie die Lautstärketaste UP so lange, bis die gewünschte Lautstärke erreicht ist.

Hinweis: Vergessen Sie beim Auflegen einer Platte nicht, den Drehzahl- und Plattengrößenwähler am Plattenspieler entsprechend der Platte einzustellen.



• Achten Sie bei der Fernbedienung Ihrer Anlage darauf, daß der Infrarotsender des Gebers in Richtung des Infrarotsensors des Steuergerätes zeigt und sich keine Hindernisse im Weg des Infrarotstrahls befinden. Fernbedienung ist möglich aus einer Entfernung von bis zu sechs Metern.

• Überprüfen Sie vor der Inbetriebnahme, ob alle Netzkabel, Tonleitungen und auch die DIN-Kabel richtig angeschlossen sind.

• Stellen Sie den Eingangswähler des Verstärkers auf PHONO und den Tonbandmonitorschalter auf TAPE 1. Drehen Sie den Lautstärkereglers des Verstärkers auf null (0).

Inbetriebnahme und Funktionsüberprüfung

1. Stecken Sie den Netzstecker des RMR-90 in eine Wandsteckdose.

2. Die TAPE-Anzeige (rot) und die TUNER-Anzeige (grün) leuchten auf.

Hinweis: Sollte eine der Anzeigen von REMOTE POWER, PHONO und/oder AUDIO MUTING aufleuchten, dann drücken Sie die REMOTE POWER- oder AUDIO MUTING-Taste, um die Anzeigen zu löschen. Zum Löschen der PHONO-Anzeige drücken Sie die TUNER-Taste, die TUNER-Anzeige leuchtet stattdessen auf.

3. Drücken Sie die TAPE-Taste, um die Anzeige über dieser Taste zu löschen.

4. Drücken Sie die REMOTE POWER-Taste; die rote Lampe über der Taste leuchtet auf. Schalten Sie dann die Netzstasten am Verstärker, Tuner und Plattenspieler ein.

5. Jetzt leuchtet die TUNER-Anzeige am RMR-90 und zeigt damit an, daß das Gerät Signale vom Tuner weiterleitet. Stellen Sie nun die gewünschte Station am Tuner ein.

6. Drehen Sie den Lautstärkereglers am Verstärker auf den gewünschten Maximalpegel.

7. Drücken Sie die Lautstärketaste UP am RMR-90 so lange, bis sich die Lautstärke auf den am Verstärker eingestellten Maximalpegel erhöht hat. Über den mit dem Lautstärkereglers vorbestimmten Lautstärkepegel hinaus kann die Lautstärke mit der UP-Taste nicht erhöht

Wiedergabe des Cassettendecks

1. Schalten Sie den POWER-Schalter ein.
 2. Drücken Sie die TAPE-Taste der Funktionswahltasten.
 3. Vergewissern Sie sich zuerst, daß eine Cassette richtig in das Cassettendeck eingelegt ist, und beginnen Sie dann mit der Wiedergabe, indem Sie die Cassetten-Funktionstasten bedienen.
 4. Drücken Sie die Lautstärketaste so lange, bis die gewünschte Lautstärke erreicht ist.
- Hinweis:** Vergessen Sie beim Einlegen einer Cassette nicht, den Bandsortenwähler entsprechend des Bandtypes der Cassette einzustellen.

Aufnahme einer Programmquelle

1. Schalten Sie den POWER-Schalter ein.
 2. Drücken Sie entsprechend der aufzunehmenden Programmquelle eine der Funktionswahltasten AM, FM oder PHONO, und beginnen Sie mit der Wiedergabe der Programmquelle.
 3. Vergewissern Sie sich, daß eine Kassette eingelegt ist, und beginnen Sie mit der Aufnahme, indem Sie die Cassetten-Funktionstasten bedienen.
 4. Während der Aufnahme kann die Programmquelle gehört werden.
- Hinweis:** Das durch die TAPE OUT-Anschlüsse des RMR-90 geführte Signal wird durch Verstärken der Lautstärke etc. nicht beeinflusst.

SPANNUNGSWAHL

Nicht möglich bei Geräten für U.K., Kanada und Skandinavien

Dieses Gerät kann auf 120V, 220V und 240V umgestellt werden. Ihr Gerät müßte schon auf die in Ihrer Gegend übliche Netzspannung umgestellt sein. Sollten Sie aber in eine Gegend umziehen, in der die Netzspannung anders ist, dann können Sie das Gerät von Ihren Fachhändler umstellen lassen.

TECHNISCHE DATEN

STEUERGERÄT

IC9
Transistoren24
Dioden38
Keramisches Schwingelement1
Relais2
Leuchtdioden (LED)5
Betriebsbereich6m
Netzanschluß120V/60Hz, 220V/50Hz, 240V/50Hz,
	120, 220, 240V/50-60Hz
Gesamtabmessungen279 (B) x 66 (H) x 262 (T) mm
Gewicht2,6kg

Gesamtabmessungen279 (B) x 66 (H) x 262 (T) mm
Gewicht2,6kg

FERNBEDIENUNGSGEBER

IC1
Transistoren3
Dioden2
Keramisches Schwingelement1
Infrarot-Leuchtdioden2
Leuchtdioden (LED)1
SpannungsversorgungSUM-3 (UM-3) Trockenbatterien (1,5V) x 3
Gesamtabmessungen74 (B) x 24 (H) x 172 (D) mm
Gewicht185g

- Änderungen, die dem technischen Fortschritt dienen, bleiben vorbehalten.

FRANÇAIS

UNITE DE COMMANDE A DISTANCE RMR-90

CHER CLIENT,

ROTEL vous remercie de l'achat de son appareil audio. La technique de l'électronique conçue spécialement pour les appareils ROTEL est l'une des plus avancées et nos expériences très approfondies le prouvent: elles nous classent comme les meilleurs fabricants spécialistes des appareils audio. Nous sommes persuadés que vous obtiendrez toute la satisfaction que vous recherchez par la haute qualité du son et par ses performances de tout premier ordre. Avant de brancher votre appareil, lisez attentivement le mode d'emploi et vous saurez comment en tirer le meilleur parti. Nous espérons que vous bénéficierez, dès le premier jour, d'une audition qui vous enchantera et que vous renouvelerez toujours avec un nouveau plaisir.

ALIMENTATION

Avant de brancher l'unité principale du RMR-90 sur une prise du secteur, vérifiez que sa tension d'alimentation, indiquée sur le panneau arrière, correspond bien à la tension de la source d'alimentation. Ne jamais brancher l'appareil sur une alimentation de tension différente de la tension spécifiée. Les éléments branchés et alimentés par l'unité de commande à distance, qui s'utilise avec le bloc émetteur, sont la table de lecture, le tuner, la platine magnétophone et l'amplificateur. Ces éléments sont alimentés par les prises CA du panneau arrière de l'unité principale RMR-90*. Ne jamais utiliser ces prises pour d'autres appareils électriques ou électroniques différents de ceux mentionnés ici. Ne mettez pas en marche le RMR-90 sans vous êtes au préalable assuré que tous les branchements soient correctement terminés.

*L'unité RMR-90 peut fournir simultanément l'alimentation aux éléments suivants: amplificateur intégré stéréo Rotel RMA-90 et tuner MA/MF RMT-90 (ou RMT-90L), table de lecture stéréo RP-700 et magnétocassette stéréo RMD-90.

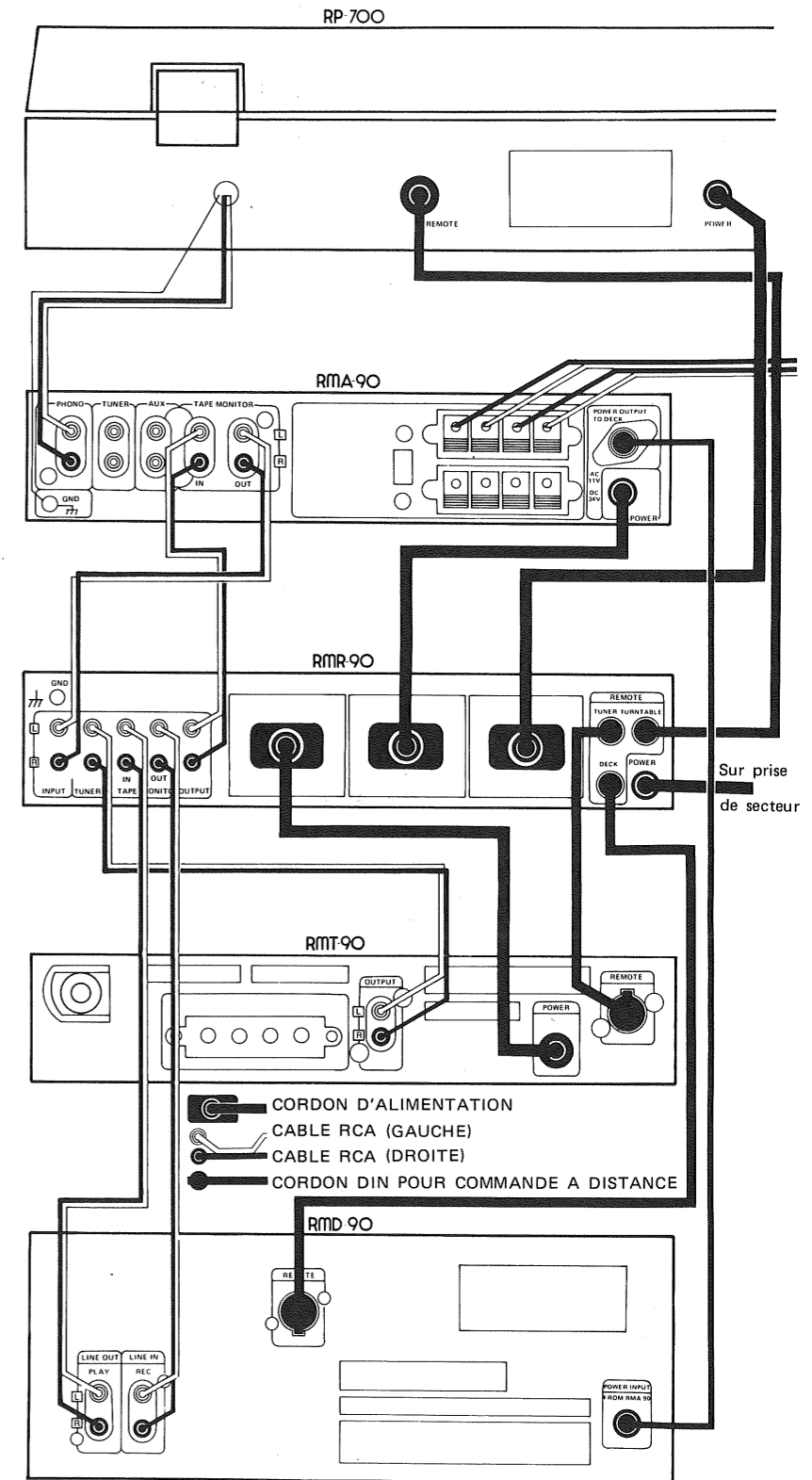
RACCORDEMENT DES ELEMENTS

Assurer le branchement de tous les éléments audio selon indications de l'illustration.

• Branchement des cordons d'alimentation

Brancher les cordons d'alimentation de l'amplificateur/magnétophone, du tuner et de la table de lecture sur les prises CA au dos du RMR-90; chaque élément est alors alimenté lorsque la commande REMOTE POWER du RMR-90 est en position de marche.

Note: La platine RMD-90 est conçue pour être alimentée uniquement sur la prise dos spéciale au de l'amplificateur intégré RMA-90. Brancher le cordon d'alimentation de la RMD-90 sur la prise d'alimentation du RMA-90. Ne jamais tenter de brancher le cordon d'alimentation de la



RMD-90 sur une prise murale ou sur la prise d'un autre appareil audio.

● Branchement des câbles à broche RCA

A l'aide des câbles à broche RCA, relier les bornes INPUT du RMR-90 aux bornes TAPE MONITOR-1 OUT de l'amplificateur. Lorsque le sélecteur de fonctions est réglé sur PHONO et la commande d'écoute de bande sur TAPE 1 sur l'amplificateur, le signal en provenance de la table de lecture passe dans l'unité par les bornes INPUT. Les câbles à broche RCA de la table de lecture doivent être branchés sur l'amplificateur, et non directement sur le RMR-90, car le signal en provenance de la table de lecture doit passer dans la section égalisation-amplification de l'ampli ou du récepteur avant d'être envoyé dans le RMR-90.

Relier les bornes TUNER IN du RMR-90 aux bornes OUTPUT du tuner.

Relier les bornes TAPE IN du RMR-90 sur les bornes OUT (PLAY) du magnétocassette, et les bornes TAPE OUT du RMR-90 sur les bornes IN (REC) du magnétocassette.

Relier les bornes OUTPUT du RMR-90 aux bornes TAPE MONITOR-1 de l'amplificateur.

Lors du raccordement des éléments avec cor-

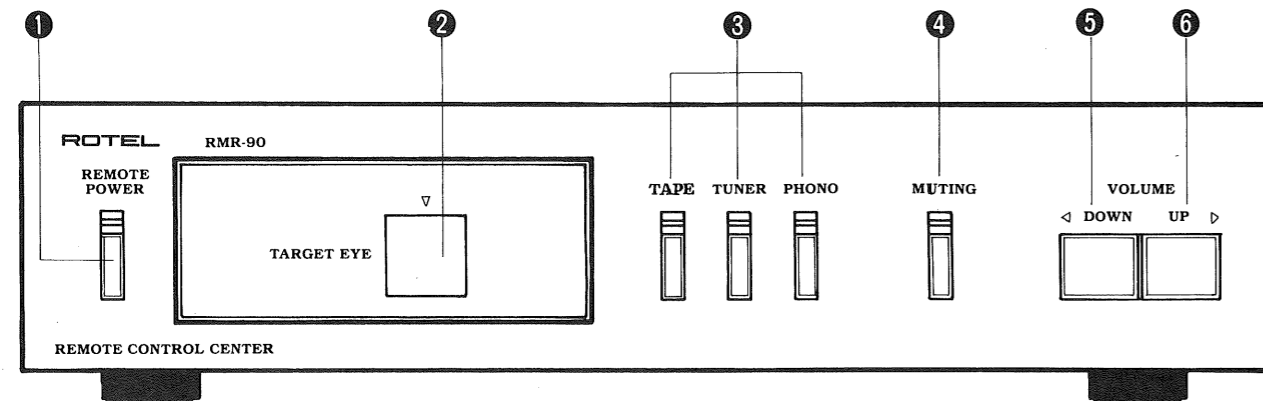
pons à broche RCA, prendre soin de respecter la polarité L (gauche) et R (droite), indiquée par les repères portés au dos de chaque élément.

● Branchement des cordons DIN pour la commande à distance

Trois types de cordons DIN sont montés sur le panneau arrière du RMR-90 pour la commande à distance: à 3, 8 et 10 broches.

Brancher le cordon 3 broches sur la prise de commande à distance au dos de la table lecture; le cordon 8 broches sur la prise de commande à distance au dos de la platine magnétocassette; et le cordon 10 broches sur la prise de commande à distance au dos du tuner. Prendre soin d'insérer à fond la fiche de chaque câble sur la prise correspondante.

Note: Les manuels d'instruction accompagnant les divers éléments audio ne donnent des indications d'utilisation qu'en mode normal. Lorsque les éléments sont utilisés en combinaison avec le RMR-90, suivre les instructions données dans le présent manuel pour ce qui est des branchements et de l'utilisation des équipements.



COMMUTATEURS ET COMMANDES

(1) Interrupteur REMOTE POWER

Presser sur cette touche pour mettre sous tension l'amplificateur, le tuner (ou récepteur), la platine de magnétophone ou la table de lecture. Presser une seconde fois pour couper l'alimentation. L'unité RMR-90 reste en permanence sous tension tant que son cordon d'alimentation reste branché sur une prise du secteur.

(2) Capteur de faisceau

Reçoit les commandes de fonctionnement sous la forme de faisceaux infrarouges émis par le bloc émetteur à distance.

(3) Sélecteur de fonctions

Opère la sélection des sources de programmes: presser la touche TAPE pour un programme lu sur la platine de magnétophone; la touche TUNER pour une émission reçue par le tuner; et la touche PHONO pour l'écoute d'un disque. Les témoins à LED au-dessus de chaque touche indiquent la fonction choisie. Ces commandes peuvent être également effectuées à l'aide du bloc émetteur à distance.

(4) Touche de silencieux audio

Une pression sur cette touche réduit nota-

blement le niveau sonore; une seconde pression ramène le volume au niveau d'origine. Cette touche s'utilise pour réduire temporairement le niveau de diffusion sonore. Lorsque le silencieux est en circuit, le témoin à LED situé au-dessus de la touche est allumé. Cette commande peut également être effectuée par le bloc émetteur de commande à distance.

(5) Commande de volume DOWN (<)

Cette touche permet de réduire le niveau sonore. Le volume diminue progressivement lorsque la touche est maintenue pressée.

Cette commande s'opère également avec le bloc émetteur de commande à distance.

(6) Commande de volume UP (>)

S'utilise pour augmenter le niveau sonore. Le volume augmente progressivement lorsque la touche est maintenue pressée. Le niveau de volume maximum dépend de la position de pré-réglage de la commande de volume de l'amplificateur.

Cette commande s'opère également avec le bloc émetteur de commande à distance.

(7) Fenêtre à faisceau infrarouge

Porteur des commandes, un faisceau infrarouge est émis par la fenêtre en direction du détecteur de l'unité.

INSTALLATION

Assurez-vous que l'endroit où vous allez installer l'appareil soit uniformément plat, exempt d'humidité, de vibrations, qu'il ne soit pas sujet à des températures extrêmes et qu'il ne soit pas exposé directement aux rayons du soleil. N'accrochez pas l'appareil contre le mur ou d'autre objet, car le manque de ventilation lui en résulterait des dommages.

(8) Témoin

Ce témoin s'allume lorsque le bloc émetteur de commande à distance émet un faisceau infrarouge.

(9) Interrupteur POWER

Presser cette touche pour mettre sous tension l'amplificateur, le tuner, la table de lecture et la platine de magnétophone. Presser une seconde fois pour mettre hors tension.

(10) Sélecteur de fonctions

Sélection de la source de programmes voulue. Appuyer sur TAPE pour l'écoute d'un programme sur platine de magnétophone, AM pour l'écoute d'une émission MA sur le tuner, FM pour une émission en MF, et sur la touche PHONO pour l'écoute d'un disque.

(11) Appel de stations

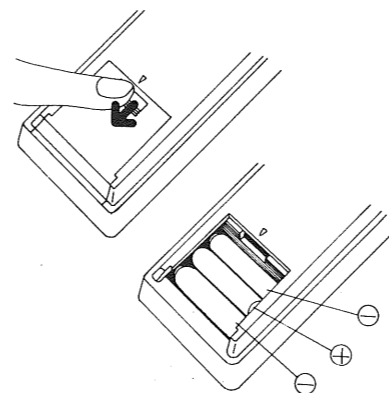
Ces touches permettent d'appeler les stations mémorisées dans la mémoire du tuner. Les chiffres 1 à 5 au-dessus des touches correspondent aux chiffres des touches d'appel de stations du tuner.

(La touche de station No. 6 ne s'utilise pas avec le RMT-90/RMT-90L.)

UTILISATION

● L'Unité de Commande à Distance RMR-90 vous permet de commander à distance chacun des éléments de la chaîne par faisceau infrarouge. Le RMR-90 comporte une unité centrale avec détecteur (récepteur de faisceau infrarouge) et un bloc émetteur portatif (émetteur de faisceau infrarouge). Avec le bloc émetteur, il vous est loisible de commander la mise sous/hors tension de tous les éléments, la sélection de la source de programmes, l'appel des stations pré-réglées, la mise en marche et l'arrêt de la table de lecture, les fonctions du magnétocassette, ainsi que le volume sonore. Toutes ses opérations peuvent ainsi être effectuées de votre place, sans qu'il vous soit nécessaire de vous déplacer ou de manipuler les diverses commandes des éléments.

● Monter 3 piles sèches SUM-3 dans le bloc émetteur à distance en respectant les indica-



tions de polarité "+" et "-". La durée de vie des piles du bloc est d'environ 2 ans. Si le témoin lumineux ne s'allume pas lorsque les touches sont pressées, ou si le bloc fonctionne mal, cela peut être dû à l'épuisement des piles. Remplacer alors les trois piles par des piles neuves.

● Lorsque le bloc émetteur est utilisé pour effectuer la commande, la fenêtre émettrice du faisceau infrarouge doit être orientée vers le

(12) Touches de commande de magnétocassette

Ces touches commandent le mécanisme de transport de bande du magnétocassette. Presser la touche ■ pour débrayer les modes d'écoute, d'enregistrement, d'avance rapide ou de rebobinage.

La touche ● sert à l'enregistrement. Elle s'utilise de façon différente de la touche REC (●) du magnétocassette. Presser la touche pour mettre le magnétocassette en mode d'attente pour enregistrement, puis sur la touche II pour commencer l'enregistrement.

Touche ◀◀ : rebobinage de la bande.

Touche ▶ : lecture de la bande.

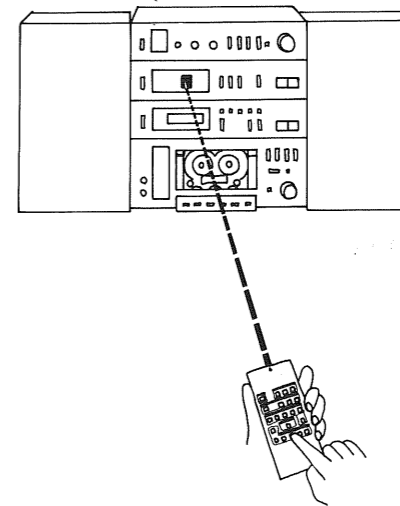
Touche ▶▶ : avance rapide de la bande.

Appuyer sur la touche II pour interrompre temporairement le défilement de bande, à l'enregistrement comme à l'écoute. Une seconde pression a pour effet de réamorcer le défilement, le magnétocassette retrouvant le mode précédemment assumé.

(13) Touche marche/arrêt

Cette touche permet de commander la table de lecture. Appuyer pour commencer la lecture du

détecteur de l'unité centrale. Si un obstacle se trouve sur le trajet du faisceau, ou si le bloc émetteur est trop loin de l'unité centrale, la commande à distance n'est pas possible. Vous devez donc vous trouver dans un emplacement d'où l'unité centrale est bien visible, et à moins de six mètres de celle-ci.



● Avant la mise en service, vérifier que le branchement des câbles d'alimentation de tous les éléments, des câbles DIN de commande à distance, les câbles à broche RCA, etc, sont bien corrects.

● Régler le sélecteur de fonction de l'amplificateur sur PHONO, et la commande d'écoute de bande sur TAPE 1. Régler la commande de volume de l'amplificateur sur la position zéro (0).

Première mise en service et contrôles

1. Brancher le cordon d'alimentation du RMR-90 sur une prise murale.

2. Le témoin TAPE (rouge) et le témoin TUNER (vert) doivent s'allumer.

Note: U_n ou plusieurs témoins, REMOTE POWER, PHONO et/ou AUDIO MUTING peuvent s'allumer. Dans ce cas, appuyer sur la

disque; une seconde pression arrête la lecture et ramène le bras sur son support.

(14) Commandes de volume/silencieux

Ces touches assurent les mêmes fonctions que les touches de commande de volume UP/DOWN et la touche de silencieux audio de l'unité centrale.

touche REMOTE POWER ou sur la touche AUDIO MUTING pour que le témoin situé au-dessus de la touche considérée s'éteigne. Pour éteindre le témoin PHONO, presser la touche TUNER; le témoin TUNER s'allume alors.

3. Presser la touche TAPE; le témoin situé au-dessus de la touche s'éteint.

4. Presser la touche REMOTE POWER; le témoin rouge au-dessus de la touche s'allume. Enclencher ensuite les touches de mise sous tension de l'amplificateur, du tuner et de la table de lecture.

5. Le témoin TUNER du RMR-90 indique alors que l'unité alimente le signal en provenance du tuner. Régler sur la station voulue à l'aide des commandes du tuner.

6. Régler la commande de volume de l'amplificateur au niveau voulu.

7. Presser la touche de commande de volume UP du RMR-90 pour augmenter le volume; une pression maintenue a pour effet d'amener le niveau de volume au niveau pré-réglé à l'aide de la commande de volume de l'amplificateur. Il s'agit là du niveau maximum obtenu compte-tenu du pré-réglage de la commande de volume.

Pour obtenir un niveau supérieur, régler à nouveau la commande de l'ampli ou du récepteur sur une valeur supérieure.

8. Presser la touche de volume DOWN de l'unité centrale pour ramener le niveau sonore à la normale.

9. Diriger la fenêtre émettrice du faisceau infrarouge du bloc de commande à distance vers le détecteur de l'unité centrale. Presser la touche POWER du bloc de commande à distance. Vérifier que lorsqu'est pressée la touche POWER, le témoin REMOTE POWER de l'unité centrale s'éteint et s'allume aussitôt.

Lorsque la touche POWER du bloc de commande à distance est enclenchée, les touches de commande du bloc peuvent être utilisées.

10. Une fois ces vérifications effectuées, mettre hors tension en pressant la touche REMOTE POWER de l'unité centrale ou la touche POWER du bloc de commande à distance. L'unité centrale reste en permanence sous tension même lorsque la touche d'alimentation a été pressée. Ne pas débrancher le cordon d'alim-

mentation CA de la prise du secteur.

Il vous est désormais loisible de goûter au plaisir de l'écoute la plus libre à l'aide du bloc de commande à distance. Voir les instructions particulières ci-après.

Ecoute d'émissions MA/MF

1. Enclencher la touche de mise sous tension POWER.
 2. Presser la touche AM ou FM du sélecteur de fonctions.
 3. Presser la touche d'appel de stations correspondant à la position de mémorisation de la station voulue.
- Note:** La touche de station No. 6 ne s'utilise pas avec le RMT-90/RMT-90L.
4. Maintenir la pression sur la touche de commande de volume UP jusqu'à ce que le volume désiré soit atteint.

Ecoute de disques

1. Enclencher la touche de mise sous tension POWER.
 2. Presser la touche PHONO du sélecteur de fonction.
 3. Vérifier qu'un disque se trouve bien sur la table de lecture et presser la touche START/REJECT pour commencer l'écoute.
 4. Maintenir la pression sur la touche de commande de volume UP jusqu'à ce que le volume désiré soit atteint.
- Note:** Lors de la mise en place du disque sur la table de lecture, ne pas oublier de régler les sélecteurs de vitesse et de dimension en fonction du type de disque.

Ecoute d'un programme sur bande

1. Enclencher la touche de mise sous tension POWER.
 2. Presser la touche TAPE du sélecteur de fonctions.
 3. Vérifier qu'une cassette est bien en place sur le magnétocassette et mettre en mode de lecture à l'aide des commandes pour magnétocassette.
 4. Maintenir la pression sur la commande de volume UP jusqu'à ce que le volume désiré soit atteint.
- Note:** Lors de l'insertion de la cassette sur la platine magnétophone, régler le sélecteur de bande sur la position appropriée en fonction du type de bande.

Enregistrement de programmes

1. Enclencher la touche de mise sous tension POWER.
 2. Presser la touche voulue du sélecteur de fonctions, AM, FM ou PHONO, en fonction du programme à enregistrer, et mettre l'équipement considéré en mode de lecture.
 3. Vérifier qu'une cassette se trouve bien dans le magnétocassette et commencer l'enregistrement.
 4. La source du programme peut être écoutée pendant l'enregistrement.
- Note:** Le signal présent sur les bornes TAPE OUT du RMR-90 n'est pas affecté par la manipulation de la commande de volume, etc.

SELECTEUR DE TENSION

Ceci n'est pas valable pour l'Angleterre, le Canada et les pays Scandinaves. L'appareil est pourvu d'un sélecteur de tension de 120V, 220V et 240V. Votre appareil est réglé à l'avance sur la tension généralement disponible dans sa région de destination.

Toutefois, si vous transportez l'appareil dans un secteur où la tension est différente, le réglage doit être modifié, consultez votre revendeur.

CARACTERISTIQUES

UNITE PRINCIPALE

Cl.9
Transistors24
Diodes38
Elément oscillant céramique.1
Relais.2
Diodes électroluminescentes (LED).5
Portée efficace.6m
Alimentation	120V/60Hz, 220V/50Hz, 240V/50Hz, 120, 220, 240V/50-60Hz
Dimensions (hors-tout)279 (L) x 66 (H) x 262 (P) mm
Poids2,6kg

UNITE EMETTEUR

Cl.1
Transistors3
Diodes2
Elément oscillant céramique.1
Diodes électroluminescentes infrarouge2
Diode électroluminescente (LED).1
Alimentation3 piles sèches SUM-3 (UM-3) (1,5V CC)
Dimensions74 (L) x 24 (H) x 172 (P) mm
Poids185g

● Spécifications et présentation sujettes à modifications sans avis préalable.

NEDERLANDS

MIKRO-AFSTANDSBEDIENINGSCENTER RMR-90

INTRODUCTIE

Wij van Rotel willen van deze gelegenheid gebruik maken u te danken voor de aankoop van ons audioproduct. Rotel audio-producten zijn ontworpen voor het gebruik van de nieuwste elektronische technologie met inbegrip van onze lange ervaring als een gespecialiseerde fabrikant van audio-apparatuur. Wij zijn er van overtuigd dat de zeer goede geluidskwaliteit en top bedrijfsprestaties, uw volle tevredenheid zullen wegdragen en dat u plezier zult vinden in het functionele ontwerp, dat speciaal voor u de gebruiker, was ontworpen. Voordat u het apparaat in gebruik neemt, a.u.b. deze handleiding eerst zorgvuldig doorlezen en uzelf vertrouwd maken met de juiste bedieningswijze van het apparaat en alle verbindingmogelijkheden. Wij hopen dat voor vele jaren te komen u zult genieten van de uitmuntende bedrijfsprestaties.

NETVOEDING

Voordat de hoofd-unit van de RMR-90 op een wandcontactdoos wordt aangesloten, eerst controleren of de spanningswaarde die op het achterpaneel is aangegeven, hetzelfde is als de spanning van de voedingsbron. Probeer nooit het apparaat op een voedingsbron op een spanning anders dan die van de gespecificeerde spanning aan te sluiten. Voeding voor de componenten die met behulp van de RMR-90 zender-unit lopen, onder welke de platenspeler, tuner, tape-deck, en versterker zijn inbegrepen, wordt geleverd door de wisselstroomcontactdozen op het achterpaneel van de hoofd-unit*. Probeer nooit deze contactdozen te gebruiken voor het aansluiten van andere elektrische of elektronische apparatuur, anders dan de hierboven genoemde apparaten. Het apparaat pas inschakelen, wanneer men zich verzekerd heeft, dat alle verbindingen op de juiste manier tot stand zijn gebracht.

*De RMR-90 kan gelijktijdig aan de volgende componenten voeding leveren: Rotel geïntegreerde stereo versterker RMA-90 en AM/FM tuner RMT-90 (of RMT-90L), stereo platenspeler RP-700 en stereo cassette-deck RMD-90.

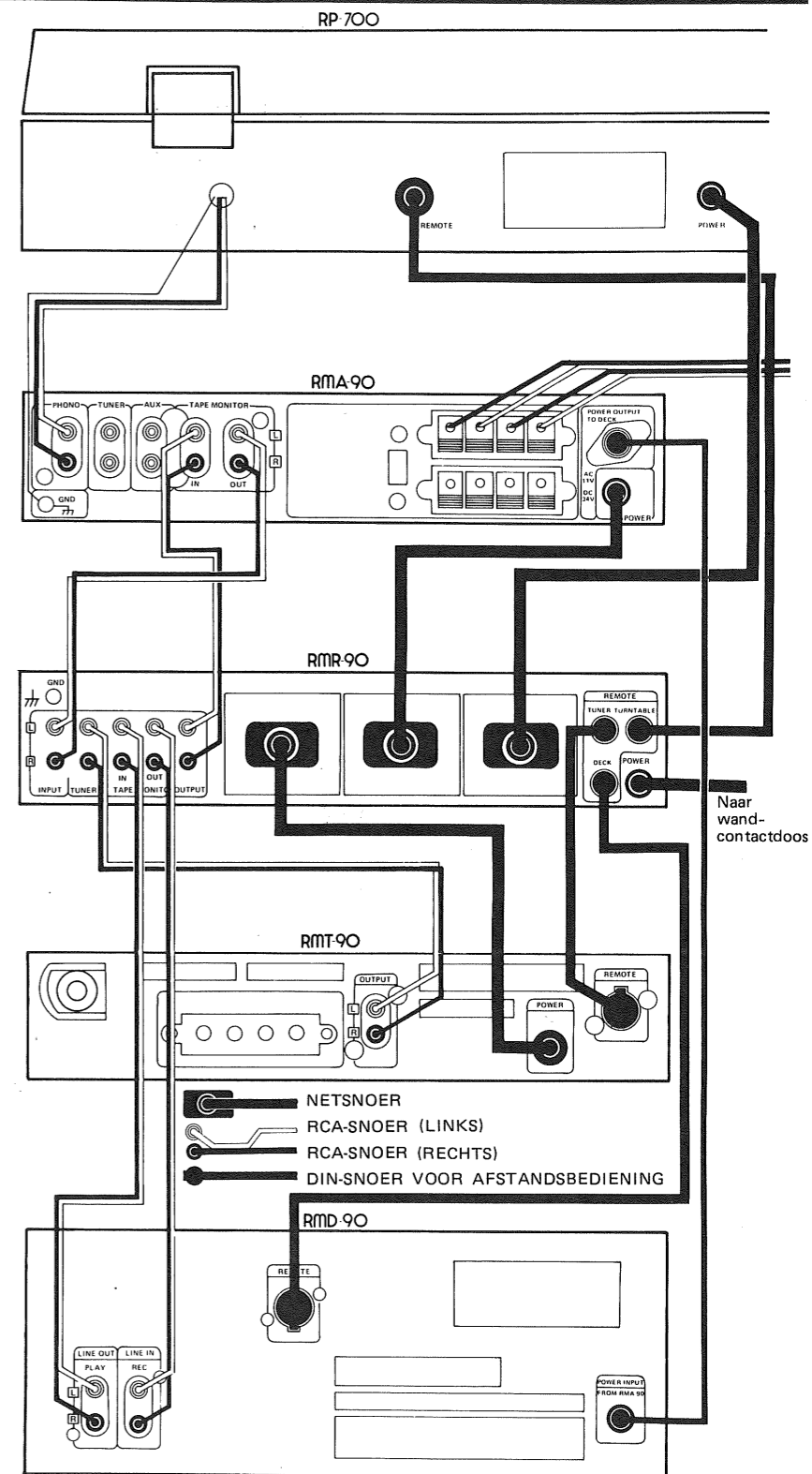
AANSLUITEN VAN COMPONENTEN

Sluit alle benodigde audio-componenten, overeenkomstig de illustratie, op de juiste manier aan.

● Aansluiten van netsnoeren

Sluit netsnoeren van versterker/deck, tuner en platenspeler, met gebruik van de wisselstroomcontactdozen op het achterpaneel aan; elk component zal dan wanneer de REMOTE POWER-schakelaar op de RMR-90 wordt ingeschakeld, een voedingsbron hebben.

Opmerking: De RMD-90 is ontworpen om alleen te werken op de spanning geleverd door



de speciale voedingscontactdoos op het achterpaneel van de geïntegreerde versterker RMA-90. De voedingskabel van de RMD-90 in de voedingscontactdoos van de RMA-90 steken. Nooit proberen de voedingskabel van de RMD-90 op een wandcontactdoos of op contactdozen van andere audio-componenten aan te sluiten.

● Aansluiten van RCA-penstekersnoren

Met de RCA-penstekersnoren, de INPUT-aansluitbussen van de RMR-90 op de TAPE MONITOR-1 OUT-aansluitbussen van versterker aansluiten. Wanneer de funktiekiezer op PHONO is gezet en de tape monitorschakelaar op versterker op TAPE 1 is gezet, zal het signaal van de platenspeler naar het apparaat worden gezonden door de INPUT-aansluitbussen. De RCA-penstekersnoren die uit de platenspeler komen, moeten worden aangesloten op de versterker, niet rechtstreeks op de RMR-90, dit is omdat het signaal van de platenspeler door het correctie (equalizer) gedeelte van de versterker moet passeren, voordat het naar de RMR-90 wordt gezonden.

Sluit de TUNER IN-aansluitbussen op de RMR-90 aan, op de OUTPUT-aansluitbussen van de tuner.

Sluit de TAPE IN-aansluitbussen van de RMR-90 aan op de OUT (PLAY)-aansluitbussen van het tape-deck, en de TAPE OUT-aansluitbussen van de RMR-90 op de IN (REC)-aansluitbussen van het deck.

Sluit de RMR-90 OUTPUT-aansluitbussen aan op de TAPE MONITOR-1 IN-aansluitbussen van de versterker.

Wanneer componenten met behulp van RCA-penstekersnoren worden verbonden, let u er dan op dat de linker en rechter verbindingen op de juiste manier worden gemaakt, met in acht name van de L (linker) en R (rechter) merktekentjes op het achterpaneel van ieder component.

● Aansluiten van DIN-snoeren voor afstandsbediening

Voor afstandsbedieningsdoeleinden komen er drie soorten DIN-snoeren uit het achterpaneel van de RMR-90 - 3-pen, 8-pen en 10-pen types.

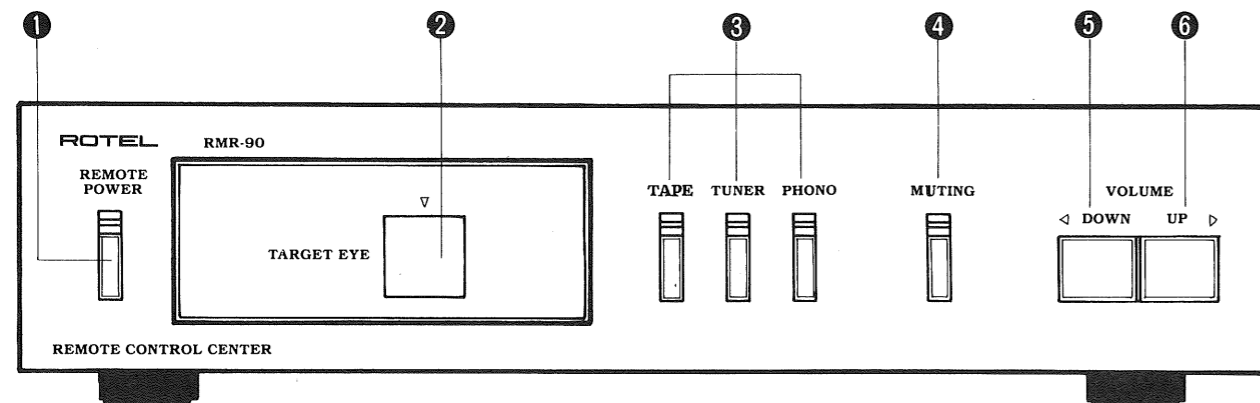
Steek het 3-pen snoer in de afstandsbedieningscontactdoos op het achterpaneel van de platenspeler; het 8-pen snoer in de afstandsbedieningscontactdoos op het achterpaneel van het tape-deck; en het 10-pen snoer in de afstandsbedieningscontactdoos op het achterpaneel van

tuner. Let er op de penstekers van alle snoeren goed in de contactdoos te steken.

Opmerking: Gebruiksaanwijzingen die bij de respectievelijke componenten behoren geven alleen instructies voor normaal gebruik. Wanneer deze componenten in vereniging met de RMR-90 worden gebruikt, volg dan eerst de instructies, voor het maken van verbindingen en gebruik van apparatuur, in dit boekje op.

INSTALLATIE

Zorg ervoor het apparaat op een horizontale vlakke oppervlakte te plaatsen, waar het vrij is van vochtigheid, vibratie, hoge temperaturen en waar het niet aan direct zonlicht blootstaat. Pas er op, het apparaat niet in een afgesloten ruimte te zetten, zoals dichtbij een muur of een boekenkast. Slechte ventilatie is de oorzaak van slechte bedrijfsresultaten van het apparaat.



SCHAKELAARS EN REGELAARS

(1) REMOTE POWER-schakelaar

Druk deze knop in voor het inschakelen van de versterker, tuner, tape-deck, of platenspeler. Voor het uitschakelen de knop nogmaals indrukken. Zo lang als het netsnoer van de RMR-90 hoofd-unit op een wandcontactdoos is aangesloten, zal het apparaat constante voeding ontvangen.

(2) Target-oog

Ontvangt bedieningsimpulsen in de vorm van infrarode stralen die door de afstandsbedieningszender worden uitgezonden.

(3) Funktiekiezer

Gebruikt voor het kiezen van programmabronnen: Druk de TAPE-knop in om te luisteren naar het signaal van het tape-deck; de TUNER-knop voor het signaal van de tuner; en de PHONO-knop voor het signaal van de platenspeler. De LED-indicators boven elke knop tonen welke functie er is gekozen. De hierboven genoemde instellingen kunnen ook met behulp van de afstandsbedieningszender worden uitgevoerd.

(4) Audio dempingsknop

Het indrukken van deze knop zal onmiddellijk een grote vermindering in het volumeniveau tot

gevolg hebben en het voor een tweede keer indrukken zal het volume tot het voorafgaande niveau herstellen. Deze knop is handig voor wanneer u het geluid voor een korte tijd zachter wilt zetten. Wanneer de audio demping in werking is zal de LED-indicator boven de knop oplichten. De bovengenoemde handeling kan ook met behulp van de afstandsbedieningszender worden uitgevoerd.

(5) Volumeregelaar DOWN (◀)

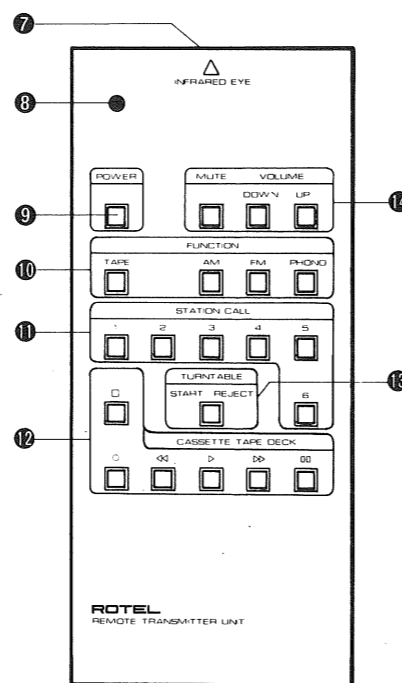
Deze knop wordt gebruikt om het volumeniveau van het geluid te verminderen. Wanneer deze knop ingedrukt wordt gehouden wordt het volume geleidelijk verminderd.

De bovengenoemde handeling kan ook met behulp van de afstandsbedieningszender worden uitgevoerd.

(6) Volumeregelaar UP (▶)

Gebruikt voor het verhogen van het volumeniveau van het geluid. Het volume wordt geleidelijk verhoogd wanneer deze knop ingedrukt wordt gehouden. Het maximum regelbare volumeniveau wordt bepaald bij de vooringezette stand van de volume regelknop op de versterker.

De bovengenoemde handeling kan ook met behulp van de afstandsbedieningszender worden uitgevoerd.



(7) Infrarood oog

Voor het zenden van bedieningsimpuls, het infrarode oog zendt een infrarode straal naar het target-oog op de hoofd-unit.

(8) Indicatorlampje

Deze indicator zal oplichten wanneer de afstandsbedieningszender een infrarode straal uitzendt.

(9) POWER-schakelaar

Druk deze knop in voor het inschakelen van de spanning op de versterker, tuner, platenspeler en tape-deck. Voor het uitschakelen de knop een tweede keer indrukken.

(10) Funktiekiezer

Kiest de gewenste programmabron; druk de TAPE-knop in voor geluid van het tape-deck, AM-knop voor AM-uitzending van tuner, FM-knop voor FM-uitzending en PHONO-knop voor geluid van de platenspeler.

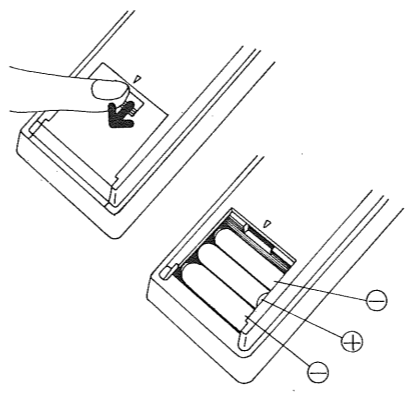
(11) Stationsknoppen

Deze knoppen worden gebruikt voor het oproepen van vooraf ingestelde station in het geheugen van de tuner. De knoppen 1 tot en met 5 boven de respectievelijke knoppen stemmen overeen met het stationsknopnummer op de tuner. (Stationsknop no. 6 is niet voor gebruik met de RMT-90/RMT-90L tuner.)

BEDIENING

● Het RMR-90 afstandsbedieningscenter stelt u in staat elk systeem component door middel van een infrarode straal, op afstand te bedienen. De RMR-90 bestaat uit een hoofd-unit met een target-oog (infrarode straal ontvanger) (receptor) en een afstandsbedieningszender met infrarood oog (infrarode straalzender) (emitter). Met de zender in uw hand, kunt u het in- en uitschakelen van de spanning door het gehele systeem controleren, programmabronnen kiezen, voorinstelde zenders oproepen, starten of stoppen van het afspelen van een plaat, bediening van het cassettemechanisme, en het volumeniveau van het geluid. Al dit kan worden gedaan van waar u bent, het is niet nodig naar de apparatuur toe te gaan en deze direct af te regelen.

● Zet drie droge batterijen in de afstandsbedienings unit, er op letten dat de polariteit merktekentjes "+" en "-" met elkaar overeenstemmen. De levensduur van de batterijen in de unit zou ongeveer 2 jaar moeten zijn. Als het indicatorlampje niet oplicht zelfs nadat de regelknoppen zijn bediend, of als er storing in de unit optreedt, zou de reden lege batterijen kunnen zijn. Vervang alle drie batterijen met nieuwe.



(12) Cassette regelknoppen

Deze knoppen worden gebruikt voor het regelen van het transportmechanisme van het deck. Druk de ◀ knop in voor het ontgrenzen van de weergave, opname, snelvooruitspoel, of terugspoelmode.

Gebruik de ● knop wanneer u wilt opnemen. Deze knop werkt anders dan de REC (●) knop op het tape-deck. Druk de knop in om het deck in de standby stand te zetten en druk dan de ◻ knop in voor het starten van de bandloop. Druk de ◀◀ knop in voor het terugspoelen van de band.

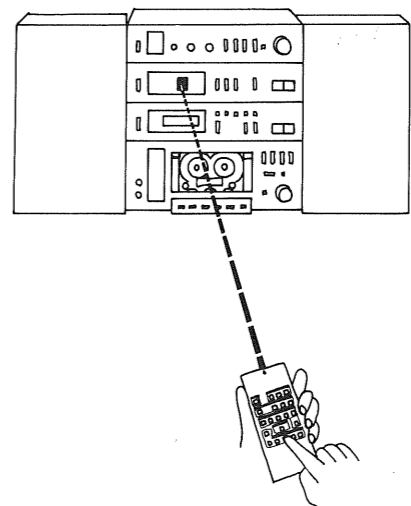
Druk de ▶ knop in voor weergave van de band. Druk de ▶▶ knop in voor het snel vooruitspoelen van de band.

Druk de ◻ knop in voor het kortstondig stoppen van de bandloop gedurende weergave of opname. Het voor de tweede keer indrukken van de knop zal de bandloop herstarten, en het deck terugzetten op dezelfde mode voordat de bandloop onderbroken werd.

(13) Start/rejectknop

Gebruik deze knop voor het regelen van de platenspeler. Druk de knop in voor het starten met het afspelen en druk de knop een tweede keer in voor het stoppen van het afspelen, de toonarm zal naar de armsteun terugkeren.

● Wanneer u de afstandsbedienings-unit gebruikt voor het regelen van het systeem, zal het infrarode oog van de unit in de richting van het target-oog op de hoofd-unit moeten gehouden. Als er een hindernis tussen de zender en het target-oog is, die de lichtstraal verspert, of als u te ver van de hoofd-unit weg bent, is afstandsbediening niet mogelijk. Let er op dat u in een positie bent waar u de hoofd-unit onbelemmerd kan zien en dat u zich niet meer dan zes meters van de hoofd-unit bevindt.



● Voordat u met de bediening begint, eerst controleren dat alle snoerverbindingen voor ieder component, DIN-snoer verbindingen voor afstandsbediening, RCA-snoer verbindingen enz., allemaal op de juiste manier zijn aangesloten.

● Zet de funktiekiezer op versterker op PHONO en de tape monitor-schakelaar op TAPE 1. Zet de volumeregelaar op de versterker op de nul (0) stand.

(14) Volume regelknoppen/audio dempingsknop

Deze knoppen werken op dezelfde manier als deze voor de UP/DOWN volume regelknoppen en audio dempingsknop op de hoofd-unit.

Aanvangsbediening en functie controle

1. Steek het netsnoer van de RMR-90 in een wandcontactdoos.

2. TAPE-indicator (rood) en TUNER-indicator (green) laten beide oplichten.

Opmerking: Ten deze tijd, kunnen één of meer van de REMOTE POWER, PHONO, en/of AUDIO MUTING-indicatoren oplichten. Als dit gebeurt, druk dan de REMOTE POWER-knop of AUDIO MUTING-knop in om de indicator boven de knop uit te schakelen. Om de PHONO-indicator uit te schakelen, de TUNER-knop indrukken; de TUNER-knop zal in plaats daarvan oplichten.

3. Druk TAPE-knop in voor het uitschakelen van de indicator boven de knop.

4. Druk de REMOTE POWER-knop in en de rode indicator boven de knop zal oplichten. Vervolgens, activeer de netspanningsknoppen (power) op versterker, tuner en platenspeler.

5. In deze stand, zal de TUNER-indicator op de RMR-90 oplichten om te tonen dat de unit wordt gevoerd bij het signaal van de tuner. Stem af op het gewenste station met gebruik van de tuner.

6. Zet de volumeregelaar op versterker op de gewenste stand.

7. Druk de volume UP knop op de RMR-90 in om het volumeniveau te verhogen; houdt de knop ingedrukt en het volume zal worden vermeerderd tot het vooraf ingestelde niveau op de versterker. Dit is het maximum regelbare niveau met de gegeven instelling van de regelknop. Als u meer volume wenst, de knop dan herinzetten op een hoger niveau.

8. De volume DOWN-knop op de hoofd-unit indrukken voor het tot het normale luisterniveau verminderen van het volume.

9. Houdt het infrarode oog van de afstandsbedieningszender in de richting van het target-oog op de hoofd-unit. Druk de POWER-schakelaar op de afstandsbedienings unit in. Controleer dat iedere keer dat de POWER-schakelaar wordt ingedrukt, de REMOTE POWER-indicator op de hoofd-unit afwisselend

aan en uit gaat.

Wanneer de afstandsbedieningszender unit POWER-schakelaar geactiveerd is, kunnen de regelknoppen op de unit worden bediend.

10. Nadat u de hierboven beschreven procedures voor het controleren van normaal gebruikt heeft voltooid, de spanning uitschakelen door de REMOTE POWER-knop op de hoofd-unit of de POWER-knop op de afstandsbedieningszender in te drukken.

Let er op dat de hoofdunit constant gevoed wordt zelfs nadat de netschakelaar is uitgedraaid. Het wisselstroom netsnoer van de hoofd-unit niet uit het stopcontact trekken.

Nu kunt u genieten van het geluid en bent u met de afstandsbedieningszender in staat het hele systeem te controleren, door het opvolgen van de hieronder beschreven stappen.

Luisteren naar AM/FM uitzending

1. Schakel de POWER-schakelaar in.
2. Druk de AM of FM knop op de funktiekiezer in.
3. Druk de stationsknop in voor welke de gewenste zenderfrequentie in het geheugen is opgeslagen.

Opmerking: Stationsknop no. 6 is niet voor gebruik met de RMT-90/RMT-90L tuner.

4. Keep volume regelknop UP ingedrukt totdat het gewenste volumeniveau is bereikt.

Plaat afspelen

1. Schakel de POWER-schakelaar in.
2. Druk de PHONO-knop op de funktiekiezer in.
3. Nadat u gecontroleerd heeft dat er een plaat op de platenspeler is gelegd, de START/REJECT-knop indrukken om met het afspelen te beginnen.
4. Volume regelknop UP ingedrukt houden totdat het gewenste volumeniveau is bereikt.

Opmerking: Wanneer er een plaat op de platenspeler wordt gelegd, let er dan op de snelheid en de plaatdiameter op de platenspeler in te zetten, overeenkomstig de te gebruiken plaat.

Bandweergave

1. Schakel de POWER-schakelaar in.
2. Druk de TAPE-knop op de funktiekiezer in.
3. Nadat u gecontroleerd heeft dat de cassette op de juiste manier in het deck is gestoken, de weergave beginnen door de cassette regelknoppen in te drukken.

4. Volume regelknop UP ingedrukt houden totdat het gewenste volumeniveau is bereikt.
Opmerking: Wanneer de cassette wordt ingestoken, zet de bandkiezer op het tape-deck dan op de stand die overeenkomt met het te gebruiken bandtype.

Opnemen van programmabronnen

1. Schakel de POWER-schakelaar in.
 2. Druk de overeenkomstige knop of de funktiekiezer, AM, FM, of PHONO in, overeenkomstig de programmabron die u wilt opnemen en zet de apparatuur in de opname-mode.
 3. Nadat u gecontroleerd heeft dat er een cassette in het deck is gestoken, de opname beginnen door de cassette regelknoppen in te drukken.
 4. De programmabronnen kunnen gedurende het opnemen worden beluisterd.
- Opmerking:** Het signaal dat door de TAPE OUT-aansluitbussen op de RMR-90 wordt gezonden is niet beïnvloed bij de bediening van de volumeregelaar, enz.

SPANNINGSOMZETTING

Niet verkrijgbaar voor G.B., Canada en Scandinavië

De unit kan op wisselspanningen van 120V, 220V of 240V worden gebruikt. Het aan u geleverde apparaat zou alreeds op de juiste netspanning voor uw gebied moeten zijn ingesteld. Niettemin als u verhuisd naar een gebied waar een afwijkende netspanning wordt gebruikt, raadpleeg dan uw dealer.

SPECIFICATIES

HOOFD-UNIT

Geïntegreerde circuits	.9
Transistoren	.24
Diodes	.38
Keramisch oscillerend element	.1
Relais	.2
Licht emitterende diodes (LED)	.5
Bedieningsbereik	.6m
Netspanning	.120V/60Hz, 220V/50Hz, 240V/50Hz, 120, 220, 240V/50-60Hz
Afmetingen (algemeen)	.279 (B) x 66 (H) x 262 (D) mm
Gewicht	.2,6kg

ZENDER-UNIT

Geïntegreerd circuit	.1
Transistoren	.3
Diodes	.2
Keramisch oscillerend element	.1
Infrarode licht emitterende diodes	.2
Licht emitterende diode (LED)	.1
Spanningsvereisten	.SUM-3 (UM-3) droge batterij (1,5V gelijkstroom) x 3
Afmetingen (algemeen)	.74 (B) x 24 (H) x 172 (D) mm
Gewicht	.185g

- Specificaties en ontwerp kunnen worden gewijzigd zonder voorafgaande kennisgeving.

ESPAÑOL

CENTRO MICRO CON CONTROL REMOTO RMR-90

INTRODUCCION

Ante todo quisiéramos agradecerle la compra de un producto audio Rotel. Los productos audio Rotel incorporan la tecnología electrónica más reciente y nuestra larga experiencia como fabricantes especializados de equipos audio. Confiamos que la alta calidad de sonido y excelente rendimiento del aparato le satisfarán plenamente, y que gozará con la belleza funcional lograda mediante el concepto de ingeniería humana.

Antes de empezar a usar la unidad, lea detenidamente este manual y familiarícese con el modo de uso correcto y con todas las conexiones. Esperamos que disfrute óptimo rendimiento por muchos años.

ALIMENTACION

Antes de enchufar la unidad principal del RMR-90 a una toma de pared, cerciórese de que su voltaje, indicado en el panel posterior, corresponde al de la fuente de alimentación. No intente conectar la unidad a una fuente de alimentación con voltaje diferente al especificado.

Los componentes que funcionan con control remoto mediante la unidad transmisora RMR-90, o sea, giradiscos, sintonizador, grabadora y amplificador, reciben alimentación a través de las tomas A.C. situadas en el panel posterior de la unidad principal.* No intente nunca conectar otros componentes eléctricos o electrónicos distintos de los mencionados arriba. No encienda la unidad sin asegurarse de que las conexiones apropiadas están completas.

*El RMR-90 puede alimentar a los siguientes componentes simultáneamente: amplificador estéreo integrado Rotel RMA-90 y sintonizador AM/FM RMT-90 (o RMT-90L), tocadiscos estéreo RP-700 y grabadora estéreo cassette RMD-90.

CONEXION DE COMPONENTES

Conectar todos los componentes audio necesarios correctamente, de acuerdo con la ilustración.

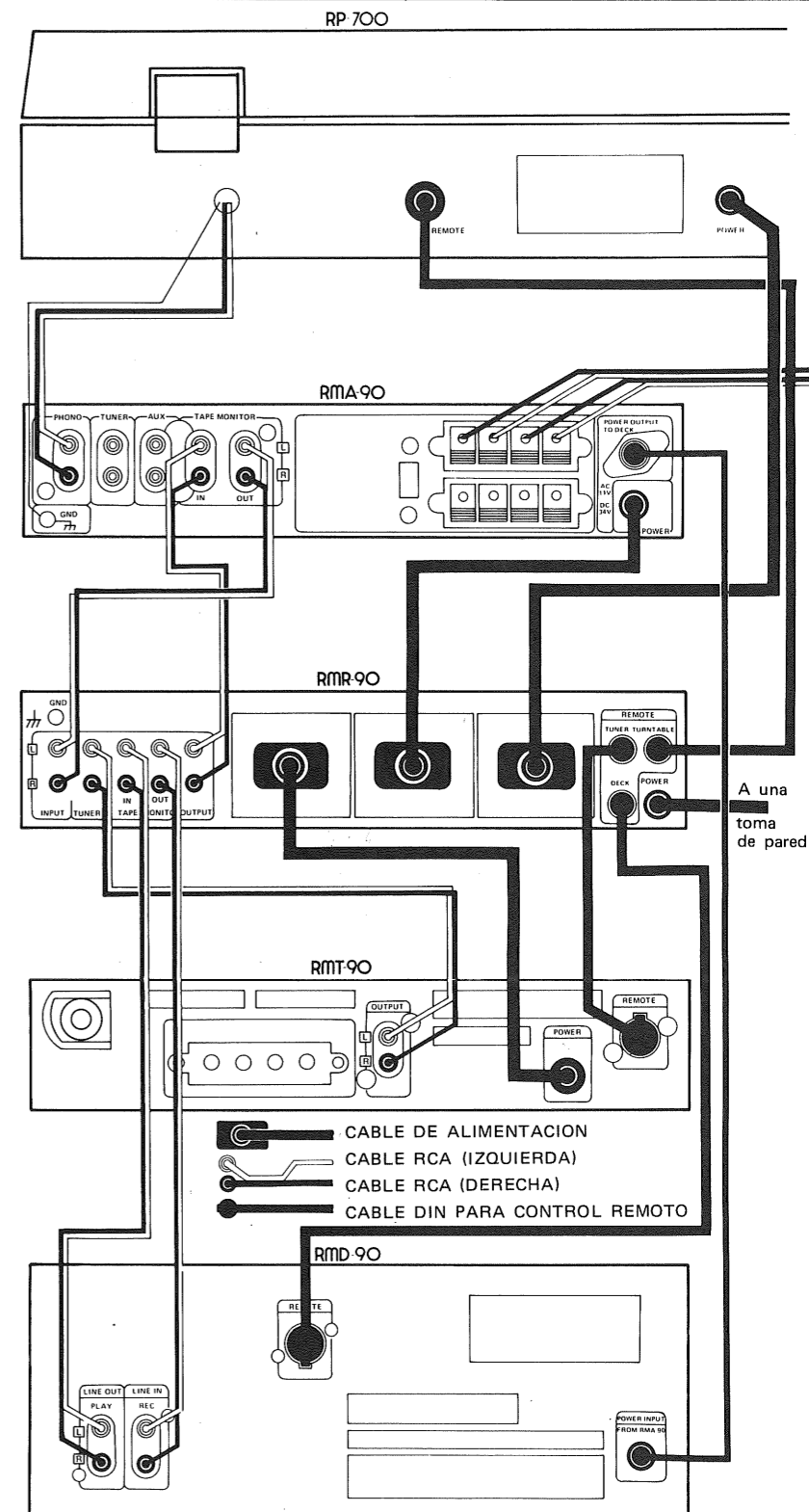
• Conexión de cables de alimentación

Conectar los cables de alimentación del amplificador/grabadora, sintonizador y giradiscos con el RMR-90, usando las tomas A.C. del panel posterior. Así cada componente recibirá alimentación al pulsar el interruptor del RMR-90.

Nota: El diseño del RMD-90 permite alimentación sólo a través de la toma exclusiva situada en el panel posterior del amplificador integrado RMA-90. Enchufar el cable de alimentación del RMD-90 en la toma del RMA-90. No intentar nunca conectar el cable de alimentación del RMD-90 a una toma de pared o a otra toma de un componente audio distinto.

• Conexión de cables tipo RCA

Conectar los terminales INPUT del RMR-90 a



los terminales TAPE MONITOR-1 OUT del amplificador. Cuando el selector de función está en PHONO, y el interruptor monitor de cinta del amplificador está en TAPE 1, la señal del giradiscos pasa a la unidad a través de los terminales INPUT. Los cables de clavija RCA que salen del giradiscos se conectan al amplificador, no al RMR-90 directamente, porque la señal del giradiscos tiene que pasar a través de la sección del ecualizador en el amplificador antes de ser enviada al RMR-90.

Conectar los terminales TUNER IN del RMR-90 a los terminales OUTPUT del sintonizador. Conectar los terminales TAPE IN del RMR-90 a los terminales OUT (PLAY) de la grabadora, y los terminales TAPE OUT del RMR-90 a los terminales IN (REC) de la grabadora. Conectar los terminales OUTPUT del RMR-90 a los terminales TAPE MONITOR-1 IN del amplificador.

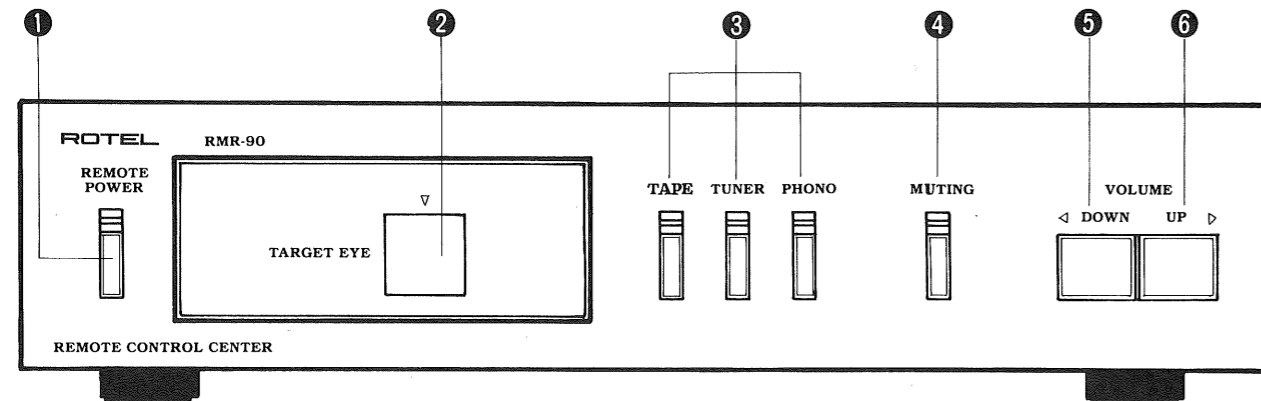
Al conectar los componentes con los cables de clavija RCA, no olvidar hacer conexión correcta de canal (izquierdo y derecho) observando las

marcas L (izq.) y R (der.) ubicadas en el panel posterior de cada componente.

● Conexión de cables DIN para control remoto

Hay tres tipos de cables DIN que se extienden desde el panel posterior del RMR-90 para funciones de control remoto: de 3, 8 y 10 clavijas. Enchufar el cable de 3 clavijas en el enchufe para control remoto del panel posterior del giradiscos; el de 8 clavijas en el enchufe para control remoto del panel posterior de la grabadora; y el de 10 clavijas en el enchufe para control remoto del panel posterior del sintonizador. Cuidar enchufar hasta el fondo cada uno de estos cables.

Nota: Los manuales del usuario que acompañan los respectivos componentes audio solo dan instrucciones para uso en circunstancias normales. Cuando se use estos componentes junto con el RMR-90, hay que seguir las instrucciones dadas en este folleto para las conexiones y uso del equipo.



INTERRUPTORES Y CONTROLES

(1) Interruptor REMOTE POWER

Pulsar este botón para encender el amplificador, sintonizador, grabadora, o giradiscos. Pulsándolo de nuevo, se apagan. La unidad principal del RMR-90 recibe alimentación constante en tanto se mantenga conectada a la red.

(2) Ojo receptor

Recibe las órdenes de operación en la forma de rayos infrarrojos emitidos desde la unidad de transmisión remota.

(3) Selector de función

Usado para elegir la fuente de programa: pulsar el botón TAPE para oír la señal de la grabadora, TUNER para la del sintonizador, y PHONO para la señal del giradiscos. Los indicadores LED sobre cada botón muestran la función seleccionada. Los controles anteriores se pueden hacer mediante el transmisor remoto.

(4) Botón de silenciamiento audio

Al pulsar este botón se produce inmediatamente una gran reducción del nivel de sonido, y al volver a pulsarlo se vuelve al volumen previo. Este botón es conveniente cuando se desea bajo volumen brevemente. Cuando está funcionando este botón, su indicador LED luce. Este control se puede realizar también mediante el transmisor remoto.

(5) Control de volumen DOWN (◀)

Este botón se usa para reducir el nivel de volu-

men del sonido. El volumen disminuye gradualmente mientras se mantiene pulsado el botón.

Este control se puede realizar también mediante el transmisor remoto.

(6) Control de volumen UP (▶)

Este botón se usa para elevar el nivel de volumen del sonido. El volumen sube gradualmente mientras se mantiene pulsado el botón. El volumen máximo controlable está determinado por la posición del control de volumen del amplificador.

Este control se puede realizar también mediante el transmisor remoto.

(7) Ojo infrarrojo

Transmite las órdenes de operación mediante un rayo infrarrojo dirigido al ojo receptor de la unidad principal.

(8) Piloto indicador

Este piloto luce cuando el transmisor remoto emite el rayo infrarrojo.

(9) Interruptor POWER

Al pulsar este botón se enciende el amplificador, sintonizador, giradiscos y grabadora. Al pulsarlo nuevamente, se apagan.

(10) Selector de función

Para elegir la función deseada, pulsar el botón TAPE para la grabadora, AM para emisiones AM del sintonizador, FM para emisiones FM, y PHONO para el sonido del giradiscos.

INSTALACION

Procure colocar la unidad en un sitio plano libre de humedad, vibración, altas temperaturas y protegido de la luz solar directa. Cuidar no situar la unidad en espacios mal aireados, como junto a una pared o estantería. Una ventilación insuficiente causa efectos indeseables en la unidad.

(11) Botones de emisoras

Estos botones se usan para sintonizar las emisoras guardadas en la memoria del sintonizador. Los números 1 a 5 sobre los respectivos botones corresponden a los números de las emisoras del sintonizador. (El botón de emisora No. 6 no se usa con el sintonizador RMT-90/RMT-90L.)

(12) Botones de control del cassette

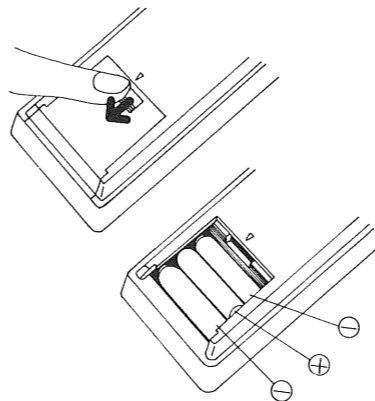
Estos botones se usan para controlar el mecanismo de transporte de la grabadora. Pulsar el botón ■ para detener la reproducción, grabación, avance rápido o rebobinado.

Usar el botón ● para grabar. Este botón funciona de modo diferente al botón REC (●) de las grabadoras. Al pulsarlo, la grabadora queda lista para grabar, y luego al pulsar el botón II la cinta empieza a avanzar.

OPERACION

● El centro de control remoto RMR-90 permite controlar a distancia cada componente del sistema mediante un rayo infrarrojo. El RMR-90 consta de una unidad principal con un ojo receptor del rayo infrarrojo, y otra unidad con un ojo infrarrojo emisor.

Con la unidad transmisora en la mano, se puede encender y apagar todo el sistema, seleccionar la fuente de programa, sintonizar las emisoras guardadas en memoria, poner en marcha o detener el giradiscos, manejar el mecanismo del cassette, controlar el nivel de volumen del sonido. Todo puede hacerlo desde donde esté Ud. sin necesidad de ir hasta el equipo y manejarlo directamente.



● Meter tres pilas SUM-3 en la unidad transmisora, haciendo corresponder correctamente las marcas de polaridad "+" y "-". Las pilas deben durar unos 2 años. Si el piloto indicador no luce aunque se pulsen los botones de control, o la unidad funciona mal, la causa puede ser pilas gastadas. Sustitúyalas con otras nuevas.

● Al usar la unidad transmisora para control remoto, hay que orientar el ojo infrarrojo emisor hacia el ojo receptor de la unidad principal. Si entre el transmisor y el ojo receptor hay algún obstáculo que obstruye el haz de luz, o se está muy lejos de la unidad principal, es imposible el control remoto. Procure ponerse en un lugar a menos de 6 metros de la unidad principal desde donde pueda verla sin obstrucción.

● Antes de comenzar la operación comprobar si están correctas las conexiones: las de alimentación en cada componente, las DIN para control remoto, las RCA, etc.

Pulsar el botón ◀ para rebobinar la cinta. Pulsar el botón ▶ para reproducir la cinta. Pulsar el botón ▶▶ para avanzar la cinta rápidamente.

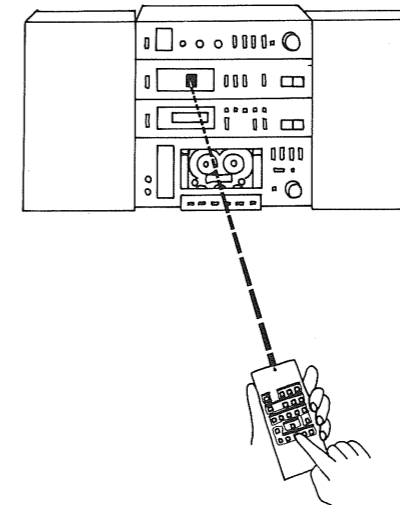
Pulsar el botón II para detener brevemente la cinta durante grabación o reproducción. Volviendo a pulsarlo la marcha de la cinta continúa siguiendo la grabadora en la función en uso.

(13) Botón START/REJECT

Esta botón se usa para controlar el giradiscos. Pulsando el botón se comienza la reproducción y volviendo a pulsarlo se detiene, y el brazo retorna a su apoyo.

(14) Botones de control de volumen/ Botón de silenciamiento audio

Estos botones funcionan del mismo modo que



los de control de volumen UP/DOWN y el botón de silenciamiento audio de la unidad principal.

determinado por la posición del control de volumen, si se desea volumen más alto hay que fijar una posición máxima mayor en el amplificador.

8. Pulsar el botón de volumen DOWN en la unidad principal para reducir el volumen al nivel de audición normal.

9. Orientar el rayo infrarrojo del transmisor remoto hacia el ojo de la unidad principal. Pulsar el interruptor POWER de la unidad transmisora de control remoto. Comprobar si cada vez que se pulsa el interruptor POWER, luce y se apaga el indicador REMOTE POWER en la unidad principal alternativamente.

Al pulsar el interruptor POWER de la unidad transmisora, los botones de control de la unidad quedan listos para funcionar.

10. Tras completar los pasos anteriores para confirmar la operación normal, apagar la unidad pulsando el botón REMOTE POWER de la unidad principal o el botón POWER de la unidad transmisora.

Nótese que la unidad principal recibe alimentación constantemente aunque esté apagada. No desconectar de la red el cable de alimentación de la unidad principal.

Ahora todo queda listo para disfrutar la audición controlando todo el sistema mediante la unidad transmisora de control remoto, siguiendo los pasos a continuación.

Audición de emisiones AM/FM

1. Encender con el interruptor POWER.
2. Pulsar el botón AM o FM del selector de función.

3. Pulsar el botón de la emisora memorizada deseada.

Nota: El botón de emisora No. 6 no se usa con el sintonizador RMT-90/RMT-90L.

4. Mantener el botón de control de volumen UP pulsado hasta llegar al nivel de volumen deseado.

Audición de discos

1. Encender con el interruptor POWER.
2. Pulsar el botón PHONO del selector de función.

3. Con plena seguridad de haber puesto un disco en el plato, pulsar el botón START/REJECT para comenzar la reproducción.

4. Mantener el botón de control de volumen UP pulsado hasta llegar al nivel de volumen deseado.

Nota: Al poner un disco en el plato, no olvide disponer los selectores de velocidad y tamaño de disco según el disco deseado.

Audición de cinta

1. Encender con el interruptor POWER.
2. Pulsar el botón TAPE del selector de función.
3. Tras comprobar que se ha puesto una cinta correctamente en la grabadora, pulsar los botones de control del cassette para comenzar la reproducción.

4. Mantener el botón de control de volumen UP pulsado hasta llegar al nivel de volumen deseado.

Nota: Al poner una cinta en la grabadora, poner el selector de cinta en la posición correspondiente al tipo de cinta usado.

Grabación de fuentes de programa

1. Encender con el interruptor POWER.
2. Pulsar el botón apropiado del selector de función: AM, FM, PHONO según la fuente que se desee grabar, y disponer el equipo para grabar.

3. Tras comprobar que se ha puesto una cinta correctamente en la grabadora, pulsar los botones de control del cassette para comenzar la grabación.

4. Se puede escuchar la fuente de programa durante la grabación.

Nota: La señal enviada a través de los terminales TAPE OUT de RMR-90 no es afectada por la operación del control de volumen, etc.

SELECCION DE VOLTAJE

No disponible para Reino Unido, Canadá ni Escandinavia

La unidad posee equipo de voltaje variable que puede funcionar con 120V, 220V o 240V. Su unidad debe estar ya fijada para el voltaje correspondiente a su área de residencia. No obstante, si Ud. se traslada a otra área de voltaje diferente, consulte a su vendedor.

ESPECIFICACIONES

UNIDAD PRINCIPAL

CI9
Transistor24
Diode38
Elemento oscilador cerámico1
Relé2
Diode fotoemisor (LED)5
Distancia de operación6m
Alimentación	120V/60Hz, 220V/50Hz, 240V/50Hz, 120, 220, 240V/50-60Hz
Tamaño (total)279 (An) x 66 (Al) x 262 (Fo) mm
Peso2,6kg

UNIDAD TRANSMISORA

CI1
Transistor3
Diode2
Elemento oscilador cerámico1
Diode fotoemisor infrarrojo2
Diode fotoemisor (LED)1
Alimentación3 pilas SUM-3 (UM-3) (1,5V)
Tamaño (total)74 (An) x 24 (Al) x 172 (Fo) mm
Peso185g

- Especificaciones y diseño sujetos a modificaciones sin previo aviso.

ITALIANO

CENTRO MICRO A CONTROLLO REMOTO RMR-90

INTRODUZIONE

Noi della Rotel desideriamo ringraziarLa per l'acquisto del nostro prodotto audio. I prodotti audio della Rotel utilizzano la più recente tecnologia elettronica e incorporano la nostra lunga esperienza di produttori specializzati di apparecchi audio. Siamo sicuri che Lei rimarrà soddisfatto dell'alta qualità del suono e della sua prestazione, e che Lei trarrà piacere dalla bellezza funzionale raggiunta attraverso un concetto umanotecnico.

Prima di iniziare l'uso dell'apparecchio, La consigliamo di leggere attentamente questo manuale di istruzioni per rendersi padrone delle corrette maniere d'uso dell'apparecchio e dei suoi collegamenti.

Speriamo che Lei possa godere di una prestazione di prima qualità per molti anni a venire.

ALIMENTAZIONE

Prima di inserire la spina dell'unità principale dello RMR-90 in una presa di parete, assicurarsi che il valore di tensione che appare sul retropannello sia uguale alla tensione di rete. Mai collegare l'unità ad una presa d'alimentazione di voltaggio diverso da quello specificato.

L'alimentazione dei componenti soggetti a controllo remoto tramite l'unità trasmittente RMR-90, cioè giradischi, sintonizzatore, piastra di registrazione, e amplificatore, viene fornita attraverso le prese c.a. sul retropannello dell'unità principale.* Mai usare quelle prese per collegare una qualunque altra apparecchiatura elettrica o elettronica diversa dalle unità sopra menzionate. Non alimentare l'unità prima di assicurarsi che le dovute connessioni siano terminate.

*Lo RMR-90 può fornire alimentazione simultaneamente ai seguenti componenti Rotel: amplificatore integrato RMA-90 e sintonizzatore AM/FM RMT-90 (o RMT-90L), giradischi stereo RP-700 e piastra di registrazione a cassetta RMD-90.

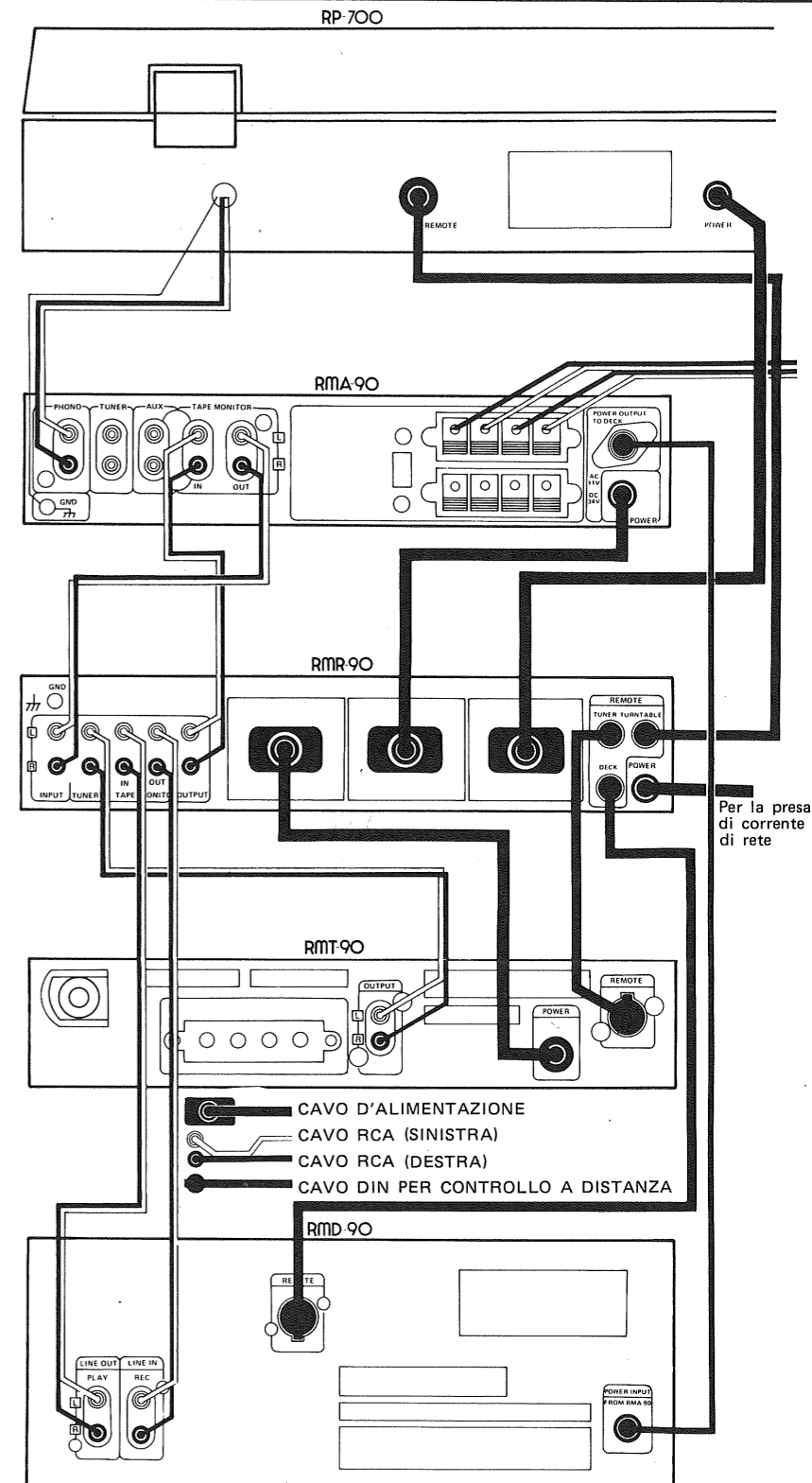
CONNESSIONE DEI COMPONENTI

Connettere correttamente tutti i necessari componenti audio, come mostrato in figura.

● Connessione dei cavi di alimentazione

Connettere i cavi di alimentazione da amplificatore/piastra di registrazione, sintonizzatore e giradischi all'unità RMR-90 usando le prese c.a. sul retropannello; ciascun componente riceverà alimentazione portando su ON l'interruttore REMOTE POWER sullo RMR-90.

Nota: Lo RMD-90 è disegnato in modo da ricevere l'alimentazione soltanto attraverso la speciale presa di alimentazione sul retropannello dell'amplificatore integrato RMA-90. Inserire il cavo di alimentazione dello RMD-90 nella presa di alimentazione dello RMA-90. Non cercare mai di connettere il cavo di alimentazione dello RMD-90 ad una presa di parete o



ad una presa secondaria di altri componenti audio.

● Connessione dei cavetti RCA

Per quanto riguarda i cavetti RCA, connettere i terminali INPUT dello RMR-90 ai terminali TAPE MONITOR-1 OUT dell'amplificatore. Quando il selettore di funzione è posto su PHONO e il commutatore TAPE MONITOR sull'amplificatore è posto su TAPE 1, il segnale proveniente dai giradischi sarà inviato all'unità tramite i terminali INPUT. I cavetti RCA provenienti dai giradischi devono essere connessi all'amplificatore o ricevitore e non direttamente allo RMR-90, perché il segnale dei giradischi deve passare attraverso la sezione equalizzatrice e dell'amplificatore prima di essere inviato allo RMR-90.

Connettere i terminali TUNER IN dello RMR-90 ai terminali OUTPUT del sintonizzatore. Connettere i terminali TAPE IN dello RMR-90 ai terminali OUT (PLAY) della piastra di registrazione, e i terminali TAPE OUT dello RMR-90 ai terminali IN (REC) della piastra di registrazione.

Connettere i terminali OUTPUT dello RMR-90 ai terminali TAPE MONITOR-1 IN dell'amplificatore.

Nel momento di connettere i componenti con i cavetti RCA, assicurarsi di eseguire le giuste connessioni sinistra e destra, in accordo con i segni L (sinistra) e R (destra) sul retropannello di ciascun componente.

● Connessione dei cavi DIN per il controllo remoto

Tre tipi di cavi DIN fuoriescono dal retropannello dello RMR-90 per il controllo remoto — a 3, 8, e 10 connessioni. Inserire la spina a 3 connessioni nella presa del retropannello del giradischi; la spina a 8 connessioni nella presa di controllo remoto sul retropannello della piastra di registrazione; infine la spina a 10 connessioni nella presa di controllo remoto sul retropannello del sintonizzatore. Assicurarsi di inserire fino in fondo ciascuna spina nella relativa presa.

Nota: I manuali d'istruzioni di ciascun componente audio riportano soltanto le istruzioni per l'uso in funzionamento normale. Durante l'uso di questi componenti in connessione allo RMR-

90, seguire le istruzioni qui riportate per l'esecuzione delle connessioni e per l'uso dell'apparato.

INSTALLAZIONE

Assicurarsi che l'unità sia collocata su di un supporto piano e ben livellato, in cui sia protetta da umidità, vibrazioni, alte temperature e non direttamente esposta alla luce del sole. Fare attenzione a non collocare l'unità in uno spazio molto ristretto come, ad esempio, vicino ad una parete, oppure scaffale di una libreria — Una scarsa ventilazione produrrà indesiderabili effetti all'unità.

infrarosso.

(9) Interruttore POWER

Premere questo tasto per dare alimentazione ad amplificatore, sintonizzatore, giradischi e piastra di registrazione. Premere una seconda volta per interrompere l'alimentazione.

(10) Selettore di funzione

Seleziona la fonte di programma desiderata; premere il tasto TAPE per segnale dalla piastra di registrazione, il tasto AM per programmi AM da sintonizzatore, tasto FM per programmi FM e tasto PHONO per segnale dal giradischi.

(11) Tasti di stazione

Questi tasti sono usati per richiamare stazioni radio precedentemente registrate nella memoria del sintonizzatore. I numeri da 1 a 5 al di sopra dei rispettivi tasti corrispondono ai numeri segnati al di sopra dei tasti di stazione radio sul sintonizzatore.

(Il tasto di stazione No. 6 non va utilizzato con il sintonizzatore RMT-90/RMT-90L.)

(12) Tasti di controllo nastro

Questi tasti servono per controllare il mec-

canismo di trasporto della piastra di registrazione. Premere il tasto ■ per disimpegnare il modo di riascolto, registrazione, avanzamento veloce o riavvolgimento.

Usare il tasto ● quando si voglia registrare. Questo tasto opera in modo diverso dal tasto REC (●) sulla piastra di registrazione. Premere il tasto per porre la piastra in stato STANDBY (attesa), quindi premere il tasto ■ per avviare il nastro.

Premere il tasto ◀ per riavvolgere il nastro.

Premere il tasto ▶ per il riascolto nastro.

Premere il tasto ▶▶ per l'avanzamento veloce del nastro.

Premere il tasto ■ per una interruzione temporanea del movimento del nastro durante la registrazione o il riascolto.

Premendo il tasto una seconda volta si riavvierà il nastro, rimettendo la piastra nella funzione precedente all'interruzione.

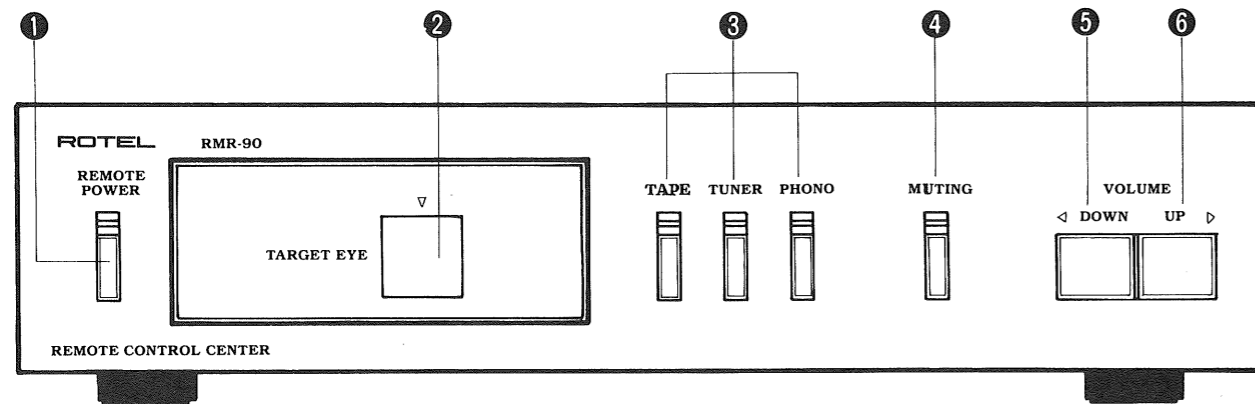
(13) Tasto START/REJECT

Usare questo tasto per il controllo del giradischi. Premere il tasto per iniziare l'ascolto; premerlo una seconda volta per fermare l'ascolto: il braccio ritorna nella posizione di

riposo.

(14) Tasti di controllo volume/tasto AUDIO MUTING

Questi tasti operano nello stesso modo dei tasti di controllo volume UP/DOWN e del tasto AUDIO MUTING dell'unità principale.



INTERRUTTORI E CONTROLLI

(1) Interruttore REMOTE POWER

Premere questo tasto per accendere amplificatore, sintonizzatore, piastra di registrazione, o giradischi. Premere una seconda volta per spegnere i componenti. L'unità principale dello RMR-90 riceve costantemente alimentazione per tutto il tempo che il cavo di alimentazione dell'unità è connesso ad una presa di parete.

(2) Occhio di ricezione

Riceve i comandi operativi dall'unità trasmittente a distanza sotto forma di impulsi infrarossi.

(3) Selettore di funzione

È usato per selezionare le sorgenti di segnale: Premere il tasto TAPE per ascoltare il segnale dalla piastra di registrazione; il tasto TUNER per il segnale dal sintonizzatore; premere infine il tasto PHONO per ascoltare il segnale del giradischi. Indicatori luminosi LED al di sopra di ciascun tasto mostrano quale funzione è stata selezionata. I controlli sopra menzionati possono essere eseguiti anche a distanza per mezzo del trasmettitore.

(4) Tasto AUDIO MUTING

Premendo questo tasto, il livello di volume del suono verrà notevolmente diminuito, premendo il tasto una seconda volta, il volume del suono verrà riportato al livello precedente. Quando il

tasto AUDIO MUTING è su ON, il relativo indicatore luminoso LED si accende. Il controllo sopra menzionato può essere eseguito anche a distanza per mezzo del trasmettitore.

(5) Controllo di volume DOWN (<)

Questo tasto è usato per ridurre il volume del suono. Tenendo premuto il tasto, il volume diminuisce gradualmente.

Il controllo sopra menzionato può essere eseguito anche a distanza per mezzo del trasmettitore.

(6) Controllo di volume UP (>)

Viene usato per elevare il volume del suono. Tenendo premuto il tasto, il volume aumenta gradualmente. Il livello massimo a cui è possibile portare il volume è determinato dalla posizione su cui è stata prerogolata la manopola di controllo del volume sull'amplificatore.

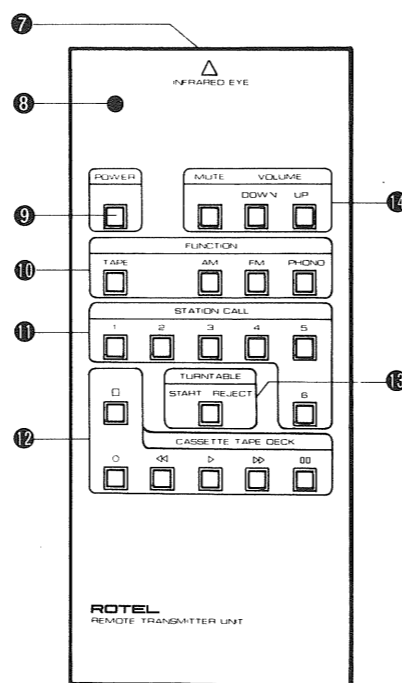
Il controllo sopra menzionato può essere eseguito anche a distanza per mezzo del trasmettitore.

(7) Occhio infrarosso

Al momento di trasmettere il comando operativo, l'occhio infrarosso trasmette un impulso infrarosso all'occhio di ricezione dell'unità principale.

(8) Indicatore luminoso

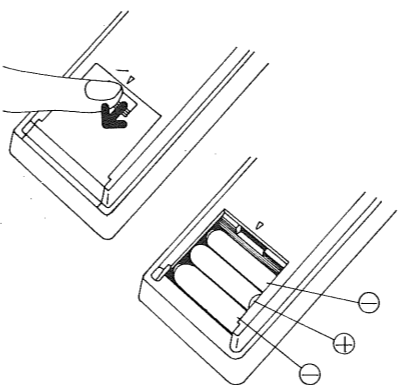
Questo indicatore si illumina quando l'unità trasmittente a distanza emette un impulso



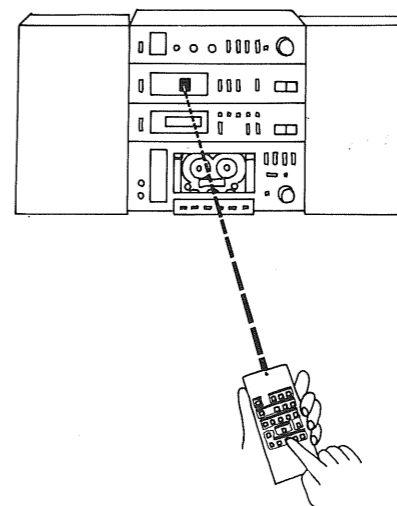
OPERAZIONE

● Il centro di controllo a distanza RMR-90 permette il controllo a distanza di ciascun sistema componente tramite un impulso infrarosso. Lo RMR-90 è composto da un'unità centrale dotata di un occhio di ricezione (che riceve l'impulso infrarosso) e da un'unità trasmittente a distanza dotata di un occhio infrarosso (che emette l'impulso infrarosso). Tenendo l'unità trasmittente in mano, è possibile controllare l'accensione e lo stacco dell'intero sistema, la selezione della fonte di programma, il richiamo di stazioni radio precedentemente memorizzate, l'accensione o lo stacco del giradischi, l'operazione di trasciamento del nastro ed il livello del volume del suono. È possibile eseguire tutto questo dalla posizione in cui ci si trova, senza doversi avvicinare all'apparecchio e senza doverlo maneggiare direttamente.

● Inserire 3 batterie a secco nell'unità trasmittente a distanza disponendo correttamente le relative polarità "+" e "-". La durata delle batterie nell'unità dovrebbe essere di circa 2 anni. Se la luce spia non si accende nemmeno quando i tasti di controllo sono messi in funzione, o se l'unità non funziona correttamente la causa potrebbe essere dovuta alle batterie scariche. Sostituire tutte e tre le batterie con altre nuove.



● Quando si usa l'unità trasmittente a distanza per controllare il sistema, l'occhio infrarosso dovrebbe essere orientato verso l'occhio di ricezione dell'unità centrale. Se c'è un ostacolo tra il trasmettitore e l'occhio di ricezione che blocca il cammino dell'impulso luminoso o se siete troppo lontani dall'unità principale, il controllo a distanza non è possibile. Assicurarsi di essere in una posizione da cui sia possibile vedere l'unità principale senza ostacolo alcuno e a non oltre sei metri di distanza.



● Prima di iniziare l'operazione, accertarsi che le connessioni dei cavi di alimentazione di ciascun componente, dei cavi DIN per il controllo a distanza, dei cavetti RCA ecc. siano tutte corrette.

● Posizionare il selettore di funzione dell'amplificatore su PHONO e l'interruttore TAPE MONITOR su TAPE 1. Porre il controllo di volume sull'amplificatore sulla posizione zero (0).

Operazione iniziale e controlli di funzionamento

1. Inserire il cavo di corrente dello RMR-90 in una presa di parete.

2. L'indicatore TAPE (rosso) e l'indicatore TUNER (verde) si accendono.

Nota: A questo punto uno o più degli indicatori di REMOTE POWER, PHONO e/o AUDIO MUTING si potranno illuminare. In questo caso premere il tasto REMOTE POWER o AUDIO MUTING in modo da spegnere l'indicatore sopra il tasto. Per spegnere l'indicatore PHONO premere il tasto TUNER; il relativo indicatore si illuminerà a sua volta.

3. Premere il tasto TAPE per spegnere l'indicatore sopra il tasto.

4. Premere il tasto REMOTE POWER: l'indicatore rosso sopra il tasto si illuminerà. Quindi attivare i tasti di alimentazione dell'amplificatore, sintonizzatore e giradischi.

5. A questo punto l'indicatore TUNER dello RMR-90 si accende per indicare che l'unità sta comandando l'ascolto del segnale dal sintonizzatore. Sintonizzarsi sulla stazione desiderata usando il sintonizzatore.

6. Porre il controllo di volume dell'amplificatore nella posizione corretta.

7. Premere il tasto di volume UP dello RMR-90 per aumentare il livello di volume; mantenere il tasto premuto ed il volume aumenterà fino al livello a cui è stata prerogolata la manopola del controllo di volume dell'amplificatore. Il posizionamento della manopola di controllo determina così il massimo livello di volume controllabile. Desiderando un volume più alto, posizionare la manopola su un livello più alto.

8. Premere il tasto di volume DOWN dell'unità principale per ridurre il volume ad un normale livello di ascolto.

9. Dirigere l'occhio infrarosso dell'unità trasmittente a distanza verso l'occhio di ricezione dell'unità principale. Premere l'interruttore POWER del trasmettitore a distanza. Accertarsi che ogni volta che l'interruttore POWER è premuto, l'indicatore REMOTE POWER dell'unità principale si accenda e spenga alternativamente. Quando l'interruttore POWER del trasmettitore a distanza è acceso i tasti di controllo dell'unità sono attivati.

10. Dopo aver completato le operazioni sopra menzionate per controllare che le condizioni di funzionamento siano normali, inter-

rompere l'alimentazione premendo il tasto REMOTE POWER dell'unità principale o il tasto POWER del trasmettitore a distanza. Tener presente che l'unità principale è costantemente alimentata anche dopo che l'interruttore di corrente è stato spento. Non disconnettere il cavo c.a. dell'unità principale dalla presa.

Ora sarà possibile godere l'ascolto ed avere un completo controllo del sistema per mezzo del trasmettitore a distanza, seguendo le operazioni qui di seguito riportate.

Ascolto di programmi AM/FM

1. Accendere l'interruttore POWER.
2. Premere il tasto AM o FM sul selettore di funzione.

3. Premere il tasto di memoria della stazione radio desiderata.

Nota: Il tasto di stazione No. 6 non va utilizzato con il sintonizzatore RMT-90/RMT-90L.

4. Tenere premuto il tasto di controllo del volume (UP) fino a raggiungere il desiderato livello di volume.

Ascolto dischi

1. Accendere l'interruttore POWER.
2. Premere il tasto PHONO sul selettore di funzione.

3. Accertarsi che il disco sia sul piatto, quindi premere il tasto START/REJECT per iniziare l'ascolto.

4. Tenere premuto il tasto di controllo del volume UP fino a raggiungere il desiderato livello di volume.

Nota: Ponendo il disco sul piatto, assicurarsi che i selettori di velocità e di dimensioni-disco siano posizionati in accordo con le specifiche del disco.

Riascolto-nastro

1. Accendere l'interruttore POWER.
2. Premere il tasto TAPE sul selettore di funzione.

3. Assicurarsi che la nastro-cassetta sia correttamente inserita nella piastra di registrazione, quindi iniziare il riascolto usando i tasti di controllo nastro.

4. Tenere premuto il tasto di controllo volume UP fino a raggiungere il livello di volume desiderato.

Nota: Inserendo la nastro-cassetta, posizionare il selettore nastro del registratore in accordo col tipo del nastro.

Registrazione da fonti di programma

1. Accendere l'interruttore POWER.
2. Premere il tasto appropriato sul selettore di funzione AM, FM o PHONO, secondo la fonte di programma che si desidera registrare, e porre l'apparecchio in funzione di ascolto.

3. Assicurarsi che una nastro-cassetta sia inserita nella piastra di registrazione ed iniziare la registrazione usando i tasti di controllo nastro.

4. Durante la registrazione è possibile l'ascolto della fonte di programma.

Nota: Il segnale inviato attraverso i terminali TAPE OUT sullo RMR-90 non è regolabile operando sul controllo di volume, ecc.

SELCTA DEL VOLTAGIO

Non adatto per U.K., Canada e Scandinavia

L'unità adotta un dispositivo cambiatensione per cui può essere alimentata a 120V, 220V, o 240V.

L'unità in Vostro possesso dovrebbe essere predisposta per il voltaggio in uso nella Vostra

zona. Comunque in caso di trasloco in un'area con diversa tensione di rete, consultate il Vostro fornitore.

CARATTERISTICHE TECNICHE

UNITÀ PRINCIPAL

Integrati9
Transistor24
Diodi38
Oscillatore ceramico1
Relé2
Diodi emettitori di luce (LED)5
Distanza limite di funzionamento6m
Alimentazione120V/60Hz, 220V/50Hz, 240V/50Hz, 120, 220, 240V/50-60Hz

Dimensioni (complessive)279 (L) x 66 (A) x 262 (B) mm
Peso2,6kg

UNITÀ TRASMITTENTE

Integrati1
Transistor3
Diodi2
Oscillatore ceramico1
Diodi emettitori di luce infrarossa2
Diodi emettitori di luce (LED)1
Alimentazione3 batterie a secco tipo SUM-3 (UM-3) da 1,5V CC

Dimensioni (complessive)74 (L) x 24 (A) x 172 (B) mm
Peso185 gr

- Caratteristiche e disegno sono soggetti a cambiamento senza preavviso.

SVENSKA

MIKRO-FJÄRRKONTROLLCENTRAL FÖR BRUKSANVISNING RMR-90

INLEDNING

Vi gratulerar dig till ditt val av vår Rotel-produkt. Rotels audioprodukter bygger på den senaste teknologin på elektronikens område och är resultat av de rika erfarenheter som vi, en högst specialiserad tillverkare av audiotrustningar, samlat genom åren. Vi är övertygade om att du kommer att bli tillfredsställd med apparatens enastående kvalitet och prestanda jämte att finna största glädje i begreppet om "human engineering" som finns bakom apparatens design och konstruktion.

Innan du använder apparaten, bör du läsa denna bruksanvisning noggrant och bekanta dig med alla möjliga användningsätt, så att du drar största nytta av denna apparat i många år.

STRÖMFÖRSÖRJNING

Innan du ansluter huvudenheten av RMR-90 till ett vägguttag, skall du kontrollera att den nätspänningsmärkdata, som syns på bakpanelen, motsvarar strömkällans spänning. Anslut aldrig fjärrkontrollen till en strömkälla med annan spänning än den angivna spänningen.

Ström till de komponenter, som kommer att fjärrstyras med RMR-90:s sändarenhet, dvs. skivspelaren, tunern, kassettdäcket och förstärkaren, matas från de växelströmsuttag, som finns på huvudenhetens* bakpanel. Anslut aldrig andra elektriska eller elektroniska utrustningar än de ovannämnda komponenterna till dessa uttag. Innan apparatens anslutning till nätet skall du försäkra dig om att alla anslutningarna är korrekt utförda.

*RMR-90 kan samtidigt strömförsörja de följande komponenterna: Rotels integrerade stereoförstärkare RMA-90 och AM/FM-tuner RMT-90 (eller RMT-90L) stereoskivspelare RP-700 och stereokassettdäck RMD-90.

KOMPONENTERS ANSLUTNING

Gör anslutningarna av de behövliga ljudkomponenterna rätt enligt anvisningarna i skissen.

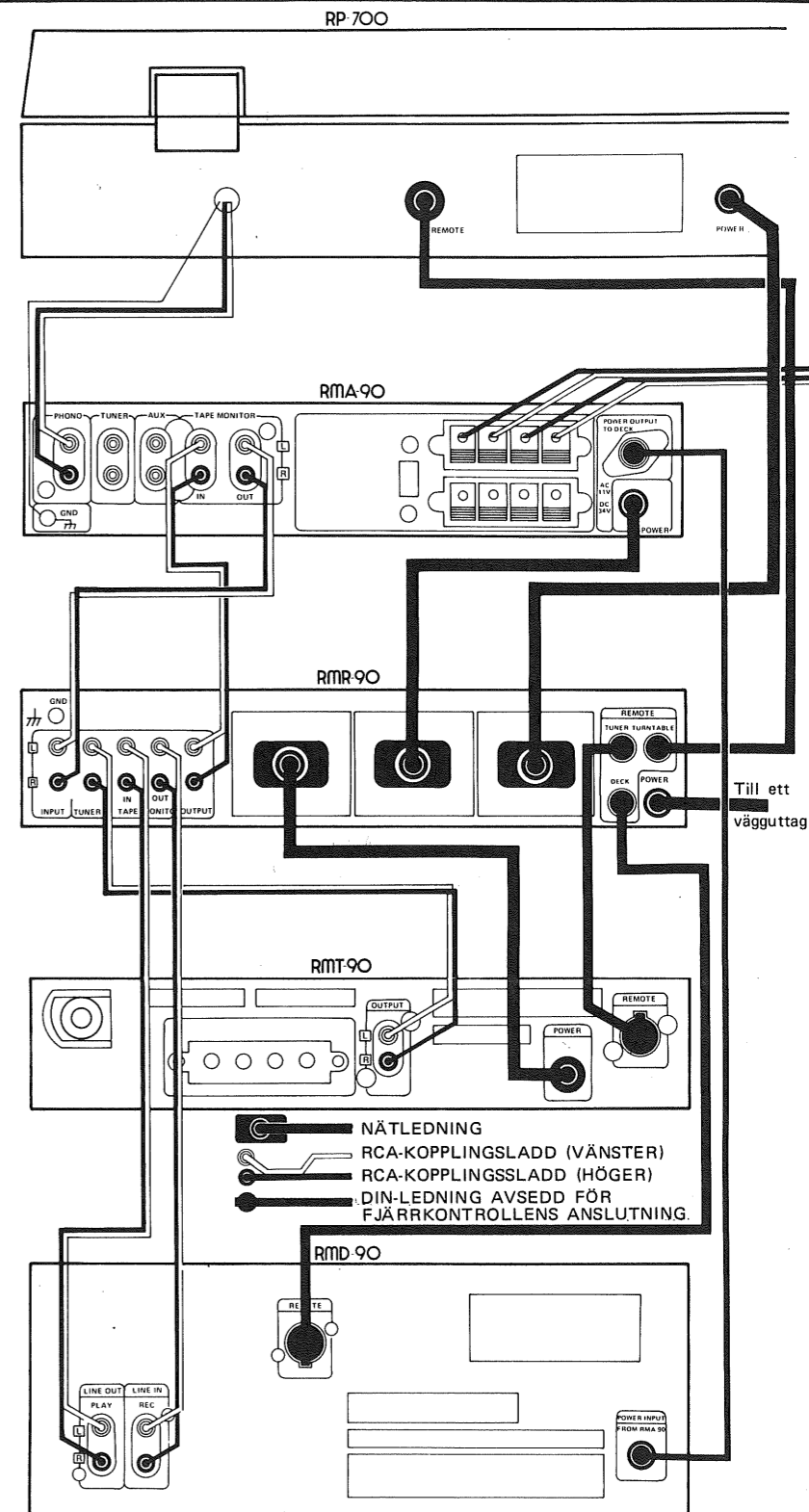
● Hur du ansluter nätledningarna

Anslut förstärkarens/kassettdäckets, tunerns och skivspelarens nätledningar till de växelströmsuttag, som finns på RMR-90:s bakpanel; varje komponent strömförsörjs därefter så snart fjärrkontrollens nätströmbrytare (REMOTE POWER) på RMR-90 är tillkopplad.

Anmärkning: RMD-90 är konstruerad att strömförsörjas enbart via det speciella strömuttag, som finns på den integrerade förstärkarens, RMA-90, bakpanel. Anslut RMD-90:s nätsladd till strömuttaget på RMA-90. Anslut aldrig RMD-90:s nätsladd till ett vägguttag eller ett anordningsuttag på en annan ljudkomponent.

● Anslutning av kopplingsledningar med RCA-stiftkontakter

Anslut ingångsuttagen (INPUT) på RMR-90 med RCA-kopplingsledningar till förstärkarens



”TAPE MONITOR 1”-utgångar (OUT). Så snart förstärkarens funktionsväljare (FUNCTION) är i läget PHONO och bandmonitoromkopplare i läget TAPE 1, matas skivspelarens signal i fjärrkontrollens ingångar. Skivspelarens RCA-kopplingsledning skall anslutas till förstärkaren, inte direkt till RMR-90, beroende på att skivspelarens signal skall gå igenom förstärkarens utjämnardel innan den matas in i RMR-90.

Anslut TUNER-ingångarna (IN) på RMR-90 till tunerens utgång (OUTPUT).

Anslut bandingångarna (TAPE IN) på RMR-90 till kassettdäckets utgång (OUT eller PLAY), och bandutgångarna (TAPE OUT) på RMR-90 till kassettdäckets ingångar (IN eller REC).

Anslut utgångsuttagen (OUTPUT) på RMR-90 till förstärkarens ”TAPE MONITOR 1”-ingångar (IN).

När du ansluter de olika komponenterna med RCA-kopplingsledningar, skall du kontrollera att du gör anslutningarna mellan de vänstra och högra uttagen rätt genom att iakta L (vänster)- och R(höger)-etiketterna på varje komponents bakpanel.

● Hur du ansluter DIN-ledningarna avsedda för fjärrstyrning

Tre olika DIN-ledningar avsedda för fjärrstyrning – nämligen 3-stifts-, 8-stifts- och 10-stifts-ledningarna – finns på RMR-90:s bakpanel. Anslut 3-stiftsledningen till fjärrkontrolluttaget på skivspelarens bakpanel; 8-stifts-ledningen till fjärrkontrolluttaget på kassettdäckets bakpanel; och 10-stiftsledningen till fjärrkontrolluttaget på tunerens bakpanel. Stick in ledningens stiftkontakt ordentligt i uttaget.

Anmärkning: De respektive ljudkomponenternas bruksanvisningar beskriver användningen enbart under normala förhållanden. När du fjärrstyr dessa komponenter med RMR-90, skall du följa de anvisningar, som ges i denna bruksanvisning, både beträffande anslutningarna och komponenternas manövreringar.

INSTALLATION

Se till att apparaten ställs på ett jämnt och horisontellt underlag och inte utsätts för fukt, vibrationer, höga temperaturer eller direkt solljus.

Du skall inte placera apparaten på ett instängt ställe, som nära en vägg eller i en bokhylla. En dålig ventilation försämrar apparatens funktion.

Indikatorlampan lyser så snart fjärrkontrollens sändarenhet sänder infraröda strålar.

(9) Nätströmbrytare (POWER)

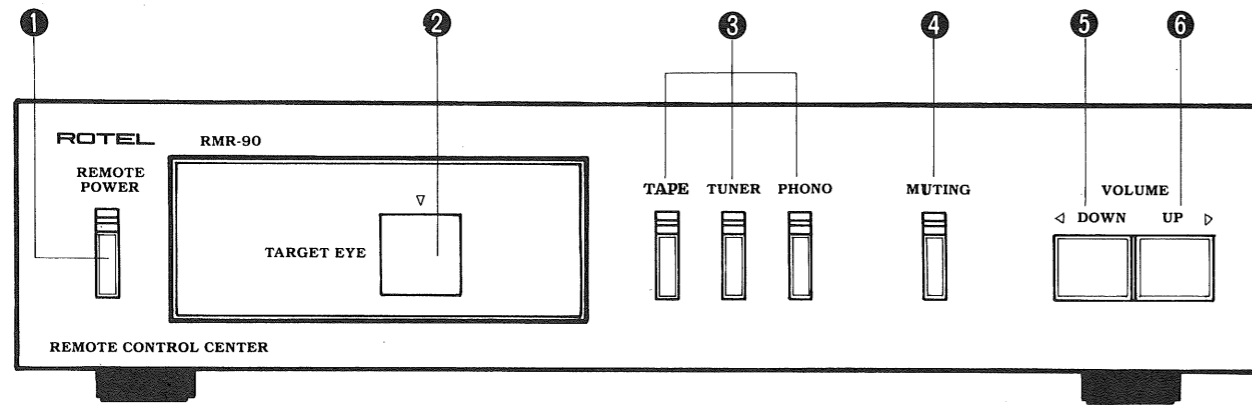
Tryck på nätströmbrytaren för att slå på förstärkaren, tunern, skivspelaren och kassettdäcket. Tryck på den en gång till för att slå av de anslutna komponenterna.

(10) Funktionsväljare (FUNCTION)

Utför valet av önskad programkälla: Tryck på bandknappen (TAPE), när du önskar lyssna på ditt kassettdäck; tryck på AM-knappen för att lyssna på radioutsändningar på AM-vågbandet från tunern, på FM-knappen för radioutsändningar på FM-bandet; och på PHONO-knappen för skivspelning.

(11) Förinställda stationers återkallningsknapp (STATION CALL)

Du använder knapparna för att återkalla förinställda stationer ur tunerens minne. Siffrorna 1 till 5 ovanför de respektive knapparna motsvarar numren av förstärkarens stationsknappar. (När du manövrerar tunern RMT-90/90L, skall du inte använda stationsknappen nr. 6.)



OMKOPPLARE OCH KONTROLLER

(1) Fjärrkontrollens nätströmbrytare (REMOTE POWER)

Tryck på nätströmbrytaren för att slå på förstärkaren, tunern, kassettdäcket och skivspelaren. Tryck på den en gång till för att slå av de anslutna komponenterna. RMR-90:s huvudenhet strömförsörjs kontinuerligt så länge som fjärrkontrollcentralens nätleddning är ansluten till ett vägguttag.

(2) Mottagningsöga (TARGET EYE)

Tar emot de manövreringsinstruktioner som sänds som infraröda strålar från fjärrkontrollens sändarenhet.

(3) Funktionsväljare

Avsedd för programkällors val: Tryck på TAPE-omkopplaren, när du vill lyssna på ditt kassettdäck; tryck på TUNER-omkopplaren för mottagning av tunerens radioutsändningar; och på PHONO-omkopplaren för skivspelning. De lysdiodindikatorer, som finns ovanför varje omkopplare, indikerar den utvalda funktionen. De ovannämnda manövreringarna kan också utföras genom användning av fjärrkontrollens sändarenhet.

(4) Ljudneddämpningsomkopplare (MUTING)

När du trycker på denna omkopplare, kommer ljudstyrkenivån att minska drastiskt, trycker

du på den en gång till återställs den tidigare ljudstyrkenivån. Du kommer att finna omkopplaren mycket behändig så snart du önskar temporärt en lägre ljudstyrkenivå. Så snart du använder ljudneddämpningsomkopplaren, lyser lysdiodindikatorn ovanför den. Du kan utföra den ovanbeskrivna manövreringen också med fjärrkontrollens sändarenhet.

(5) Ljudstyrkans nedställningskontroll (VOLUME <DOWN)

Tangenten är avsedd för ljudstyrkenivåns minskning. När du håller tangenten i nedtryckt läge, minskar ljudstyrkan gradvis. Fjärrkontrollens sändarenhet är försedd med motsvarande tryckknapp.

(6) Ljudstyrkans ökningskontroll (VOLUME UP >)

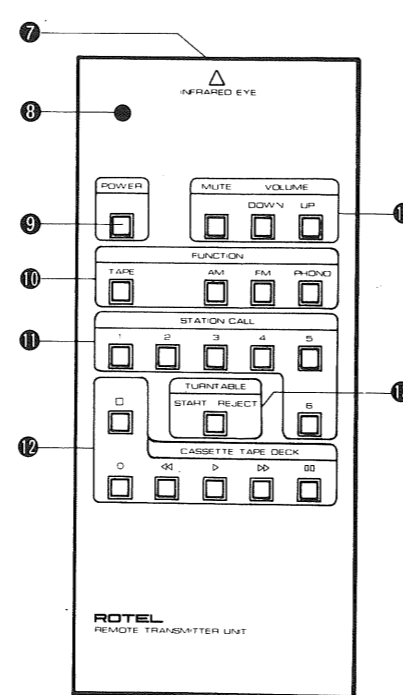
Tangenten är avsedd för ljudstyrkenivåns ökning. När du håller tangenten i nedtryckt läge, ökar ljudstyrkan gradvis. Den maximala inställningsbara ljudstyrkenivån regleras genom ljudstyrkekontrollens förinställda inställning på förstärkaren.

Fjärrkontrollens sändarenhet är försedd med motsvarande tryckknapp.

(7) Infrarött öga (INFRARED EYE)

Det infraröda ögat sänder infraröda strålar till huvudenhetens mottagningsöga för manövreringsinstruktionernas överföring.

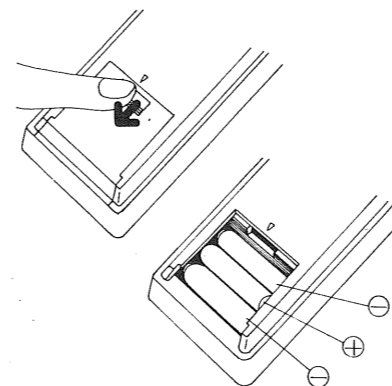
(8) Indikatorlampa



MANÖVRERING

● Du fjärrstyr varje ansluten komponent med RMR-90 fjärrkontrollcentralen med hjälp av en infraröd stråle. RMR-90 består av en huvudenhet med mottagningsöga (för mottagning av infraröda strålar) och en sändarenhet med infrarött öga (för sändning av infraröda strålar). Med sändarenheten i din hand reglerar du hela systemets strömförsörjning (strömmens till- och frånkoppling), utför programkällans val, förinställda radiostationers återkalling, startar och avbryter in- och avspelnningen, manövrerar kassettdäckets transportmekanism och slutligen reglerar ljudstyrkenivån. Du kan utföra alla dessa manövreringar från din favoritfåtölj utan att gå till den komponent du önskar använda och direktmanövrera den.

● Lägg in 3 st. SUM-3 (AA) torrbatterier i fjärrkontrollens sändarenhet med plus- och minuspolerna (+ och -) åt rätt håll. Batteriernas livslängd i sändarenheten är beräknad till omkring två år. Om indikatorlampan inte skulle lysa när du manövrerar kontrollknapparna, eller om fjärrkontrollcentralen inte fungerar rätt, kan orsaken vara batteriernas urladdning. Byt ut samtliga tre batterier mot tre nya batterier.



● När du använder fjärrkontrollens sändarenhet för systemets fjärrstyrning, skall du rikta sändarenhetens infraröda öga mot huvudenhetens mottagningsöga. Så snart det finns ett hinder mellan sändarenheten och huvuden-

(12) Kassettkontroller (CASSETTE TAPE DECK)

Knapparna är avsedda för kontroll av kassettdäckets transportmekanism. Tryck på stoppknappen (■) för återställning av kassettdäckets funktioner, avspelnning, inspelning, snabbframspolning eller återspolning.

Använd inspelningsknappen (●), när du önskar göra en inspelning. Knappens funktion skiljer sig från inspelningstangentens (REC ●) funktion på ett kassettdäck. Tryck på knappen för att ställa in kassettdäcket i inspelningsberedskap, och tryck därefter på pausknappen (■) för att starta bandtransporten.

Tryck på återspolningsknappen (◀) för att återspola bandet.

Tryck på avspelningsknappen (▶) för bandets avspelnning.

Tryck på snabbframspolningsknappen (▶▶) för bandets snabbspolning framåt.

Tryck på pausknappen (■) för temporär avbrytning av in- eller avspelnningen. Trycker du på knappen en gång till, kommer bandet att återstartas, mao. kassettdäcket återställs i den

funktion den var inställd i före pausen.

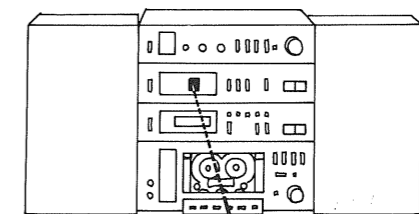
(13) Skivspelarens kontrollknapp (TURNTABLE START/REJECT)

Använd knappen för skivspelarens manövrering. Tryck på knappen för att starta skivspelaren, tryck på den en gång till för att avbryta skivspelningen, tonarmen återgår till tonarmsstödet.

(14) Ljudstyrkans kontrollknappar/ ljudneddämpningsknapp (VOLUME <DOWN/UP >/MUTE)

Dessa knappar arbetar på samma sätt som huvudenhetens ljudneddämpningsomkopplare och ljudstyrkans nedställnings/ökningskontroller.

hetens mottagningsöga som hindrar ljusstrålens överföring, eller om du befinner dig för långt borta från huvudenheten, kan du inte fjärrstyra de anslutna komponenterna. Du skall se till att huvudenheten är så placerad i förhållande till din sittplats att du kan se den utan ett hinder mellan dig och huvudenheten, den skall inte heller vara på längre avstånd än 6 m från din sittplats.



Anmärkning: Det kan hända att en eller flera av fjärrkontrollens indikatorer (REMOTE POWER, PHONO och/eller AUDIO MUTING) tänds samtidigt. Om det skulle hända, skall du trycka på fjärrkontrollens nätströmbrytare (REMOTE POWER) eller ljudneddämpningsomkopplare (AUDIO MUTING), indikatorn (indikatorerna) slocknar. Om PHONO-indikatorn lyser, trycker du på TUNER-omkopplaren, då tänds TUNER-indikatorn istället.

3. Tryck på bandomkopplaren (TAPE) för att släcka indikatorn ovanför den.

4. Tryck på fjärrkontrollens nätströmbrytare, den röda indikatorn ovanför den tänds. Som nästa steg skall du ställa in förstärkarens, tunerens och skivspelarens nätströmställare respektive i lägena ON.

5. Nu borde TUNER-indikatorn på RMR-90 lysa för att indikera signalinmatningen till enheten från tunern. Ställ in den önskade stationen genom att använda tunerens avstämningsratt.

6. Ställ in förstärkarens ljudstyrkekontroll i ett lämpligt läge.

7. Tryck på ljudökningskontrollen (VOLUME UP >) på RMR-90 för ljudnivåns ökning; håll kontrollen i nedtryckt läge, ljudstyrkan ökar gradvis till den ljudstyrkenivå som förstärkarens ljudstyrkekontroll är förinställd i. Den inställningen är ljudstyrkans maximala, regleringsbara nivå. Önskar du höja ljudstyrkenivån, skall du ändra ljudstyrkekontrollens inställning på förstärkaren.

8. Tryck på huvudenhetens ljudnedställningskontroll (VOLUME <DOWN) för att minska ljudstyrkan till normala avlysningsnivåer.

9. Rikta sändarenhetens infraröda öga mot huvudenhetens mottagningsöga. Tryck på sändarenhetens nätströmbrytare (POWER). Kontrollera att fjärrkontrollens strömindikator på huvudenheten lyser och slocknar växelvis enligt din tryckning på sändarenhetens nätströmbrytare.

När nätströmbrytaren på fjärrkontrollens sändarenhet är tillkopplad, är enhetens kontrollknappar manövreringsbara.

10. När du utfört de ovannämnda kontrollåtgärderna för att kontrollera fjärrkontroll-

Inledande manövrering och operationskontroller

1. Anslut nätleddningen från RMR-90 till ett vägguttag.
2. Bandindikatorn (röd) [TAPE] och tunerindikatorn (grön) tänds.

centralens rätta funktion, skall du slå ifrån strömmen genom nedtryckning av fjärrkontrollens nätströmbrytare på huvudenheten eller genom nedtryckning av sändarenhetens nätströmbrytare.

Kom ihåg att huvudenheten strömförsörjs kontinuerligt så länge som nätledningen är ansluten till ett vägguttag, även om nätströmbrytaren är i läget OFF (frånkopplad). Dra inte ut huvudenhetens nätledning för växelström ur vägguttaget.

Nu kan du lyssna på musik och dessutom fjärrstyra hela ditt ljudsystem genom användning av fjärrkontrollens sändarenhet enligt de nedan beskrivna anvisningarna.

Radiomottning av AM-/FM-radioprogram

1. Tryck på nätströmbrytaren (POWER).
2. Tryck på funktionsväljarens AM- eller FM-knapp.
3. Tryck på den stationsäterkallningsknapp, vilken motsvarar den förinställda stationen för det önskade radioprogrammet.

OBS! När du manövrerar tunern RMT-90/-90L, skall du inte använda stationsknappen nr. 6.

4. Håll ljudstyrkans kontrollknapp (UP >) nedtryckt tills du nått den rätta ljudstyrkenivån.

Skivspelning

1. Tryck på nätströmbrytaren (POWER).
 2. Tryck på funktionsväljarens PHONO-knapp.
 3. Lägg först en skiva på skivtallriken och tryck därefter på skivspelarens kontrollknapp (START/REJECT) för att starta skivspelaren.
 4. Håll ljudkontrollknappen (UP >) nedtryckt tills du nått den rätta ljudstyrkenivån.
- Anmärkning:** När du lägger en skiva på skivtallriken, skall du ställa in både varvtals- och skivstorleksväljaren i de rätta lägena enligt den skiva du tänker spela.

Bandavspelning

1. Tryck på nätströmbrytaren (POWER).
 2. Tryck på funktionsväljarens bandknapp (TAPE).
 3. Lägg först in ett kassetband i kassettdäcket och börja därefter avspelningen genom att använda sändarenhetens kassettkontrollknappar.
 4. Håll ljudstyrkans kontrollknapp (UP >) i nedtryckt läge tills du nått den ljudstyrkenivå som passar dig.
- Anmärkning:** När du lagt in ett kassetband i däck, skall du ställa in kassettdäckets bandväljare i det läge som motsvarar det använda bandets egenskaper.

Inspelning från programkällor

1. Tryck på nätströmbrytaren (POWER).
 2. Tryck på funktionsväljarens passande knapp, AM-, FM- eller PHONO-knappen, enligt den programkälla du tänker använda för din inspelning; gör programkällan klar för avspelning.
 3. Lägg först in ett kassetband i ditt kassettdäck, börja därefter inspelningen genom att använda kassettkontrollknapparna på sändarenheten.
 4. Du kan lyssna på programkällan under den pågående inspelningen.
- Anmärkning:** Den signal som sänds via bandutgångarna (TAPE OUT) på RMR-90, påverkas inte av ljudkontrollens eller andra dylika kontrollers manövrering.

TEKNISKA DATA

HUVUDENHET

Integrerade kretsar (IC)9
Transistorer24
Dioder38
Keramiskt svängningselement1
Reläer2
Lysdioder (LED)5
Arbetsområde6m
Nätanslutning120V/60Hz, 220V/50Hz, 240V/50Hz, 120, 220, 240V/50-60Hz

Yttre mått279 (B) x 66 (H) x 262 (D) mm
Vikt2,6kg

SÄNDARENHET

Integrerade kretsar1
Transistorer3
Dioder2
Keramiskt svängningselement1
Infraröda lysdioder2
Lysdioder (LED)1
StrömförsörjningSUM-3 (UM-3) torrbatteri (1,5V likström) x 3
Yttre mått74 (B) x 24 (H) x 172 (D) mm
Vikt185g

- Rätt till ändringar av tekniska data och utförande förbehålles utan föregående meddelande.

SUOMI

MIKRO-KAUKOSÄÄDINYKSIKKÖ RMR-90

JOHDANTO

Meillä on ilo todeta luottamuksesi kohdistuneen ROTEL-laatuotteeseen. Laitteen korkealuokkainen ääni ja suorituskyky on tulos Rotelin suorittamasta tutkimus- ja kehittämis-työstä äänentoistotekniikan alalla. Olemme vakuuttuneita siitä, että tämä laite vastaa täydellisesti kaikkia vaatimuksiasi.

Lue tämä käyttöohje huolellisesti, ennen kuin alat käyttää laitetta, jotta voit hyödyntää laitteen kaikkia hienouksia ja nauttia sen erinomaisesta suorituskyvystä useiden vuosien ajan.

VERKKOVIRTAAN KYTKENTÄ

Ennenkuin liität RMR-90 yksikön verkkovirtaan, varmista, että laite on säädetty kyseiselle jännitteelle. Älä koskaan liitä laitetta väärälle jännitteelle.

Virranjakelu kaukosäätimellä toimivan RMR-90 lähetyksikön kautta levysoittimelle, viritimelle, kasetinauhurille ja vahvistimelle tapahtuu yksikön takapanelin vaihtovirta-kytkentäpisteitten kautta.* Älä koskaan yhdistä kytkentäpisteisiin muuta kuin e.m. laitteita. Varmista, että kytkennät on suoritettu asianmukaisesti.

*RMR-90 voi välittää virranjakelun samanaikaisesti seuraaville laitteille: integroitu Rotel stereo vahvistin RMA-90 ja AM/FM viritin, RMT-90 (tai RMT-90L), stereosoitin RP-700 ja stereokasetinauhuri RMD-90.

KYTKENNÄT

Suorita kaikki kytkennät asianmukaisesti kuvituksia hyväksi käyttäen.

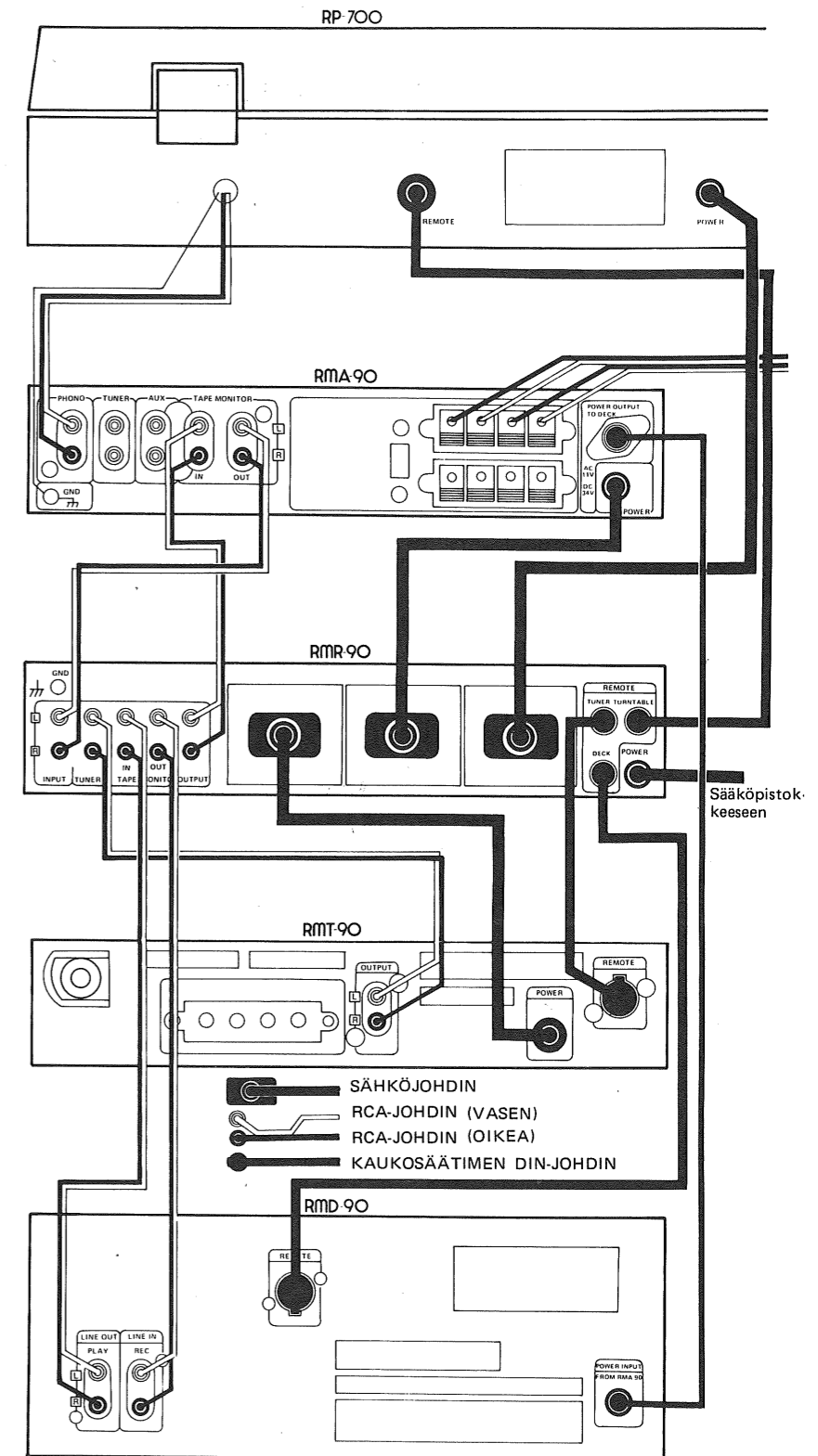
• Verkkovirran kytkentä

Kytke sähköjohtimet vahvistimesta/kasetinauhurista, viritimestä ja levysoittimesta RMR-90 takapanelin vaihtovirta-kytkentäpisteisiin. Kun RMR-90 REMOTE POWER-näppäin on kytketty ON-asentoon, kaikki e.m. laitteet on yhdistetty verkkovirtaan.

Huom: RMD-90 nauhuri on suunniteltu liitettäväksi ainoastaan RMA-90 vahvistimen takaseinässä olevaan erityiseen virtalähteeseen. Älä koskaan liitä nauhuria seinän pistorasiaan tai jonkin muun audiolaitteen virtalähteeseen. Bemærk: lukkende fra den specielle strøm-forsyningskontakt, som forefindes på bagpladen af den integrerede forstærker, RMA-90. Sæt RMD-90's netstik i stikkontakten på RMA-90. Sæt aldrig RMD-90's netstik i en væg-kontakt eller i en stikkontakt på en anden lyd-komponent.

• RCA-johtimien kytkentä

Kytke RCA-johdin RMR-90:n INPUT-päätte vahvistimen tai vastaanottimen TAPE MONITOR-1 OUT-päätteeseen. Kun toiminnoista on valittu PHONO ja vahvistimen monitorinäppäimistä on valittu TAPE 1, välittyy levysoittimesta signaali INPUT-päätteen kautta. RCA-johtimet tulee olla kytketty vahvistimeen,



ei suoraan RMR-90 yksikköön, koska levysoittimen signaali tulee kulkea vahvistimen toiston taspainotus yksikon (equalizer amplifier) kautta RMR-90 yksikköön.

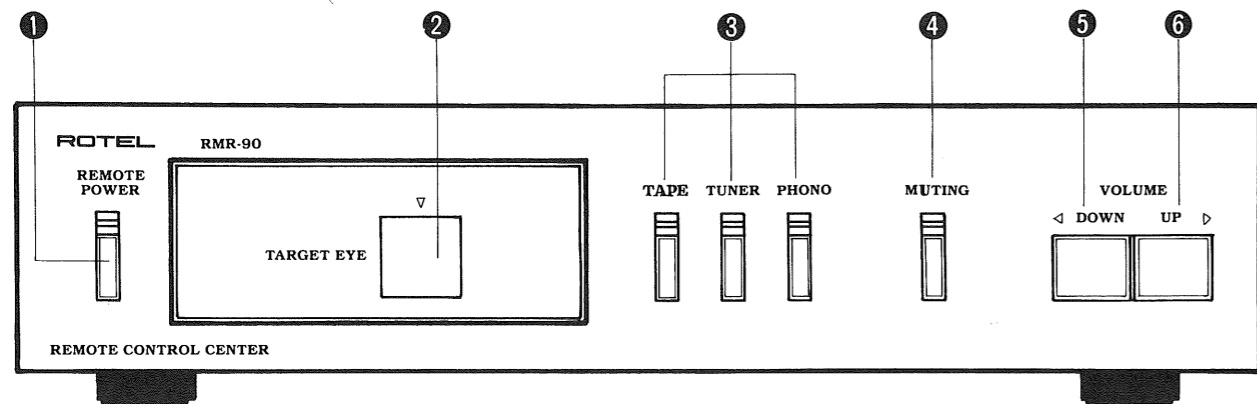
Kytke RMR-90 yksikön TUNER IN-pääte viritimen OUTPUT-pääteeseen. Kytke RMR-90 yksikön TAPE IN-pääte kastinauhurin OUT (PLAY) -pääteeseen ja RMR-90 TAPE OUT-pääte kastinauhurin IN (REC) -pääteeseen. Kytke RMR-90 OUTPUT-päätteet vahvistimen TAPE MONITOR-1 IN-päätteisiin. Kytkeysasi RCA-johtimet, huomioi L (vasen) ja R (oikea) merkinnät takapaneleissa.

● Kaukosäädännän DIN-johtimien kytkentä

Kaukosäädäntä yhdistetään RMR-90 takapanelin 3-, 8- ja 10-napaisilla johtimilla. Kytke 3-napainen johdin levysoittimen takapanelin kyt-

kentäpisteeseen, 8-napainen johdin kasettinauhurin kytkentäpisteeseen ja 10-napainen johdin viritimen kytkentäpisteeseen. Varmista, että pistokkeet ovat kytkentäpisteisään koko pittedaan.

Huom: Laitteiden ohessa seuraavat käyttöohjeet on laadittu ainoastaan normaaleja olosuhteita varten. Kun käytät laitteita yhdistettynä RMR-90 yksikköön, seuraa tämän oppaan kytkentä- ja käyttöohjeita.



NÄPPÄIMET JA SÄÄTIMET

(1) REMOTE POWER-näppäin

Paina näppäintä kytkeäksesi vahvistimen, viritimen, kasettinauhurin tai levysoittimen. Paina näppäintä toisen kerran kytkeäksesi virran pois päältä. Virta on jatkuvasti kytkettyä RMR-90 yksikköön niin kauan kuin se on yhdistettyä verkkovirtaan.

(2) Target Eye

Tämä "vastaanotin silmä" vastaanottaa toiminnot kaukosäätimestä infrapuna-säteiden välityksellä.

(3) FUNCTION-toimintovalitsimet

Toimintojen valinta: Kun painat TAPE-näppäintä, kuulet signaalin kasettinauhurista, kun painat TUNER-näppäintä kuulet signaalin viritimestä, kun painat PHONO-näppäintä kuulet signaalin levysoittimesta. Kunkin näppäimen yläpuolella oleva LED ilmaisee valitun toiminnon. Kaikki toiminnot voidaan suorittaa myös kaukosäätimellä.

(4) AUDIO MUTING-näppäin

Tämän näppäimen painallus aiheuttaa äänen voimakkuuden huomattavan vähenemisen. Toinen painallus palauttaa äänen voimakkuuden entiselle tasolle. Tämä näppäin on erittäin käytännöllinen halutessasi vähentää äänen voimakkuutta lyhyeksi ajaksi. Kun AUDIO MUTING on toiminnassa, hehku näppäimen yläpuolella oleva LED-ilmaisim.

Toiminto voidaan suorittaa myös kaukosäätimellä.

(5) VOLUME DOWN (<)-näppäin

Tällä äänenvoimakkuuden säätimellä vähennät äänen voimakkuutta. Äänen voimakkuus vähe-

nee tasaisesti näppäimen painalluksen ajan. Toiminto voidaan suorittaa myös kaukosäätimellä.

(6) VOLUME UP (>)-näppäin

Äänen voimakkuus lisääntyy tasaisesti tämän näppäimen painalluksen ajan. Suurin säädettävä äänen voimakkuus määräytyy vahvistimen äänensäädön mukaisesti. Toiminto voidaan suorittaa myös kaukosäätimellä.

(7) INFRARED EYE

Tämä infrapuna "silmä" lähettää toimintoja säätelävän infrapunasäteen kaukosäätöyksikköön.

(8) Indikaattorilamppu

Tämä ilmaisinalamppu hehkuu kaukosäädintä käytettäessä.

(9) POWER-näppäin

Paina näppäintä kytkeäksesi vahvistimen, viritimen, kasettinauhurin tai levysoittimen. Toinen painallus katkaisee virran pois päältä.

(10) FUNCTION-näppäimet

Näillä näppäimillä valitset haluamasi toiminnon. Halutessasi äänen kasettinauhurista paina TAPE-näppäintä. Halutessasi kuunnella AM ohjelmaa paina AM-näppäintä, FM ohjelmaa paina FM-näppäintä ja halutessasi äänen levysoittimesta paina PHONO-näppäintä.

(11) STATION CALL-näppäimet

Näillä näppäimillä valitset haluamasi viritimen muistiin valmiiksi säädetyt aallonpituudet. Numerot 1 - 5 näppäinten yläpuolella vastaavat viritimen STATION CALL-näppäinten numeroita. (Asemannäppäintä no. 6 ei käytetä RMT-90/RMT-90L-viritimen kanssa.)

ASENNUS

Sijoita laite tasaiselle vaakasuoralle alustalle. Vältä paikkoja, joissa se on alttiina kosteudelle, värinälle, korkealle lämpötilalle tai auringon valolle. Vältä myös sijoitusta umpinaisiin paikkoihin, kuten kirjahyllyyn tai lähelle seinää. Huono ilmanvaihto voi aiheuttaa ei-toivotuja efektejä laitteistossa.

tesasi kasettinauhurin äänitysvalmiiksi ja paina II-näppäintä aloittaaksesi äänityksen.

◀-näppäin takaisin kelaukseen.

▶-näppäin kelaukseen.

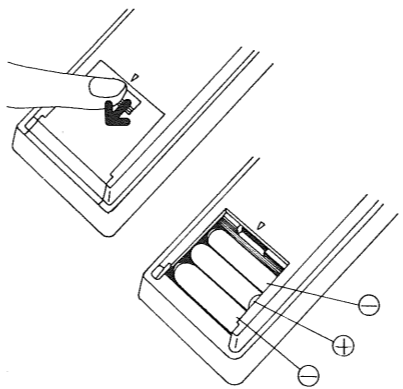
▶-näppäin pikakelaukseen.

Paina II-näppäintä halutessasi pysäyttää kelauksen tai äänityksen tilapäisesti. Painamalla nä-

KAYTTÖ

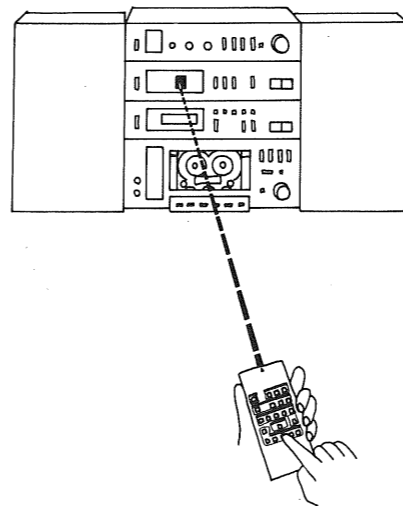
● Kaikki toiminnot välittyvät kaukosäätimestä infrapunasäteellä RMR-90 REMOTE CONTROL CENTERin kautta muihin yksiköihin. RMR-90:ssa on vastaanotinsilmällä (infrared beam receptor) varustettu keskusyksikkö sekä infrapuna silmällä (infrared beam emitter) varustettu kaukosäädin. Kaukosäätimellä voit säädellä seuraavia toimintoja: virran kytkentä, toiminnon valinta, radio-ohjelman valinta, levysoittimen käynnistys ja pysäytys, kasettinauhurin toiminnot sekä äänen voimakkuuden säätö. Kaiken tämän voit tehdä mukavasti nojatuolistasi.

● Kun sijoitat kolme UM-3 paristoa kaukosäätimeen, huomioi "+" ja "-" merkinnät. Kaukosäätimesi toimii samoilla paristoilla noin kaksi vuotta. Jos ilmaisinalamppu ei hehku käyttäessäsi kaukosäädintä, vika on luultavasti tyhjentynyt.



neissä paristoissa. Vaihda kaikki kolme paristoa samanlaisesti.

● Kun käytät kaukosäädintä, infrapunasilmä tulee olla suunnattu kohti keskusyksikön vastaanotinsilmää. Kaukosäädin ei toimi ellei infrapunasilmästä lähtevällä infrapunasäteellä ole esteetön yhteys keskusyksikön vastaanotin silmään, tai olet liian kaukana keskusyksiköstä. Maksimi käyttöetäisyys on n.6 metriä.



paintä toisen kerran palautuu toiminto entiselleen.

(13) TURNTABLE-näppäin

Käytetään levysoittimen säätöön. Paina näppäintä käynnistääksesi levysoittimen ja toistamiseen pysäyttääksesi, jolloin äänivarsi palau-

● Ennen käyttöönottoa varmista, että kaikki verkkovirtakytkennät, DIN-kytkennät, RCA-kytkennät jne. on suoritettu huolellisesti. ● Aseta vahvistimen toimintosaadin PHONOille ja valitse TAPE 1 MONITOR-näppäin. Säädä vahvistimen äänenvoimakkuus nolnaan (0).

Alkutarastukset ja käyttöönotto

1. Kytke RMR-90 verkkovirtaan.
2. TAPE-ilmaisim (punainen) ja TUNER-ilmaisim (vihreä) tulee syttyä.

Huom: Samalla hetkellä tulee yhden tai useampien REMOTE POWER, PHONO ja/tai AUDIO MUTING ilmaisimen syyttyä. Seuraavaksi paina REMOTE POWER-näppäintä tai AUDIO MUTING-näppäintä sammuttaaksesi nappulan yläpuolella oleva ilmaisim. Sammuttaaksesi PHONO-ilmaisim syyttyä samanlaisesti.

3. Kun painat TAPE-näppäintä, sammuu yläpuolella oleva ilmaisim.

4. Kun painat REMOTE POWER-näppäintä syyttyä yläpuolella oleva punainen ilmaisim. Seuraavaksi aktivoi vahvistimen, viritimen ja levysoittimen näppäimet.

5. Näin ollen RMR-90:n TUNER-ilmaisim osoittaa, että yksikkö vastaanottaa signaalin viritimestä. Nyt voit valita haluamasi radio-ohjelman.

6. Säädä vahvistimen tai vastaanottimen äänenvoimakkuus haluamallasi tasolle.

7. Paina RMR-90:n VOLUME UP-näppäintä halutessasi lisätä äänen voimakkuutta. Painaessasi näppäintä yhtäjaksoisesti äänenvoimakkuus kasvaa vahvistimessa säädetylle tasolle. Tämä on korkein kykeisellä näppäimellä saavutettava äänenvoimakkuus. Halutessasi äänen voimakkuuden kasvavan säädä VOLUME-säädin voimakkaammalle tasolle.

8. Paina keskusyksikön VOLUME DOWN-näppäintä palauttaaksesi äänen voimakkuus normaalille kuuntelutasolle.

9. Suuntaa kaulosäätimen infrapunasilmä kohti keskusyksikön vastaanotinsilmää. Paina kaukosäätimen POWER-näppäintä.

Tarkista, että keskusyksikön REMOTE POWER-ilmaisim syyttyä painaessasi POWER-näppäintä ja sammuu painaessasi sitä toistamiseen.

Kytkeytyäsi virran päälle POWER-näppäimellä, ovat kaikki säätimet käyttövalmiita.

10. Kokeiltuasi kaikki edellä opastetut toiminnot, katkaise virta painamalla keskusyksikön REMOTE POWER-näppäintä tai POWER-näppäintä kaukosäätimessä.

Huomioi, että keskusyksikkö on jatkuvasti kytkettyä verkkovirtaan, vaikka POWER-näppäin on OFF-asennossa. Älä katkaise virtaa pistoketta irroittamalla.

Nyt voit nauttia kuuntelusta ja kontrolloida toimintoja täydellisesti kaukosäätimellä seuraavien ohjeitten mukaisesti.

AM/FM lähetysten kuuntelu

1. Kytke virta POWER-näppäimellä.
2. Paina AM tai FM FUNCTION-näppäintä.
3. Paina haluamaasi esivalittua FUNCTION-näppäintä.

tuu pidikkeeseen.

(14) MUTE- ja VOLUME-näppäimet

Nämä näppäimet toimivat samalla tavoin kuin UP/DOWN VOLUME- ja MUTE-näppäimet keskusyksikössä.

Huom: Asemannäppäintä no. 6 ei käytetä RMT-90/RMT-90L-viritimen kanssa.

4. Paina VOLUME UP-näppäintä kunnes saavutat haluamasi äänen voimakkuuden.

Levysoitin

1. Kytke virta POWER-näppäimellä.

2. Paina FUNCTION osan PHONO-näppäintä.

3. Varmistettuasi, että levylautasella on äänilevy, paina START/REJECT-näppäintä käynnistääksesi levysoittimen.

4. Paina VOLUME UP-näppäintä kunnes saavutat haluamasi äänen voimakkuuden.

Huom: Kun asetat levyn levylautaselle varmista oikeasta pyörimisnopeudesta.

Kasettinauhuri

1. Kytke virta POWER-näppäimellä.

2. Paina FUNCTION-osan TAPE-näppäintä.

3. Tarkistettuasi, että kasetti on asianmukaisesti nauhurissa, käynnistä nauhuri CASSETTE TAPE DECK-näppäimillä.

4. Paina VOLUME UP-näppäintä kunnes saavutat haluamasi äänen voimakkuuden.

Huom: Asettaessasi kasettia nauhuriin asenna nauhanvalintakytkin käyttämälläsi nauhatyypille sopivaksi.

Äänitys

1. Kytke virta POWER-näppäimellä.

2. Paina haluamaasi FUNCTION-näppäintä, AM, FM tai PHONO kytkeäksesi ohjelman jota haluat äänittää; ja yksikkö on käyttövalmis.

3. Tarkistettuasi, että kasetti on nauhurissa, aloita äänitys käyttämällä CASSETTE TAPE DECK-näppäimiä.

4. Ohjelma on kuultavissa äänityksen aikana.

Huom: Äänityksen aikana tapahtuva äänen voimakkuuden säätö ei vaikuta äänityksen äänenvoimakkuuteen.

TEKNISET TIEDOT

KESKUSYKSIKKÖ

IC9
Transistoreja24
Diodeja38
Keraminen oskilointi yksikkö1
Rele2
LED-ilmaisimia5
Toimintaetäisyys6m
Käyttöjännite120V/60Hz, 220V/50Hz, 240V/50Hz, 120, 220, 240V/50-60Hz
Äärimitat279 (L) x 66 (K) x 262 (S) mm
Paino2,6kg

VASTAANOTIN

IC1
Transistoreja3
Diodeja2
Keraminen oskilointi yksikkö1
Infrapuna silmiä (LED)2
LED-ilmaisimia1
ParistotSUM-3 (UM-3) kuivapariisto (1,5VDC) x 3
Äärimitat74 (L) x 24 (K) x 172 (S) mm
Paino185g

- Valmistaja pidättää oikeudet muutoksiin.

DANSK

MIKRO-FJERNBETJENINGS CENTER RMR-90

INTRODUKTION

Rotel ønsker at takke Dem for købet af vort audio-produkt. Rotels audio-produkter er udviklede i overensstemmelse med den nyeste elektroniske teknologi og omfatter vor store erfaring som special-producent af audio-udstyr. Vi er sikre på, at De vil blive fuldt tilfreds med produktets høje lyd kvalitet og førsteklasses ydeevne, og at De vil glæde Dem over dets funktionelle skønhed, som er et resultat af fremragende ingeniør-kunst. Før brugen, læs venligst denne brugsanvisning grundigt og sæt Dem ind i den korrekte anvendelse af enheden. Vi håber, at De vil glæde Dem over produktets topydeevne i mange år. God fornøjelse!

STRØMFORSYNING

Før RMR-90 hoved-enheden sættes i strømforbindelse, bør man sikre sig, at spændingsnormeringen som findes angivet på bagpanelet, stemmer overens med strømkildens spænding. Sæt aldrig enheden i strømforbindelse, hvis en anden spænding forefindes end den angivne. Strøm til fjernbetjente komponenter styret af transmitter-enheden (pladespiller, tuner, tape-deck og forstærker) tilføres gennem a.c. - stikkontakterne på hoved-enhedens bagpanel.* Brug aldrig disse kontakter i forbindelse med andre elektriske eller elektroniske udstyrsdele. Anvend udelukkende de ovenfor angivne. Etabler ikke strømforbindelse før De har sikret Dem, at de korrekte forbindelser er fuldført.

*RMR-90 kan strømforsyne følgende komponenter samtidigt: Rotel stereo integreret forstærker RMA-90 og AM/FM tuner RMT-90 (eller RMT-90L), stereo pladespiller RP-700 og stereo cassette-deck RMD-90.

HVORDAN MAN SÆTTER KOMPONENTERNE I FORBINDELSE MED HINANDEN

Sæt alle de nødvendige audio-komponenter i forbindelse på korrekt vis. Se illustrationen.

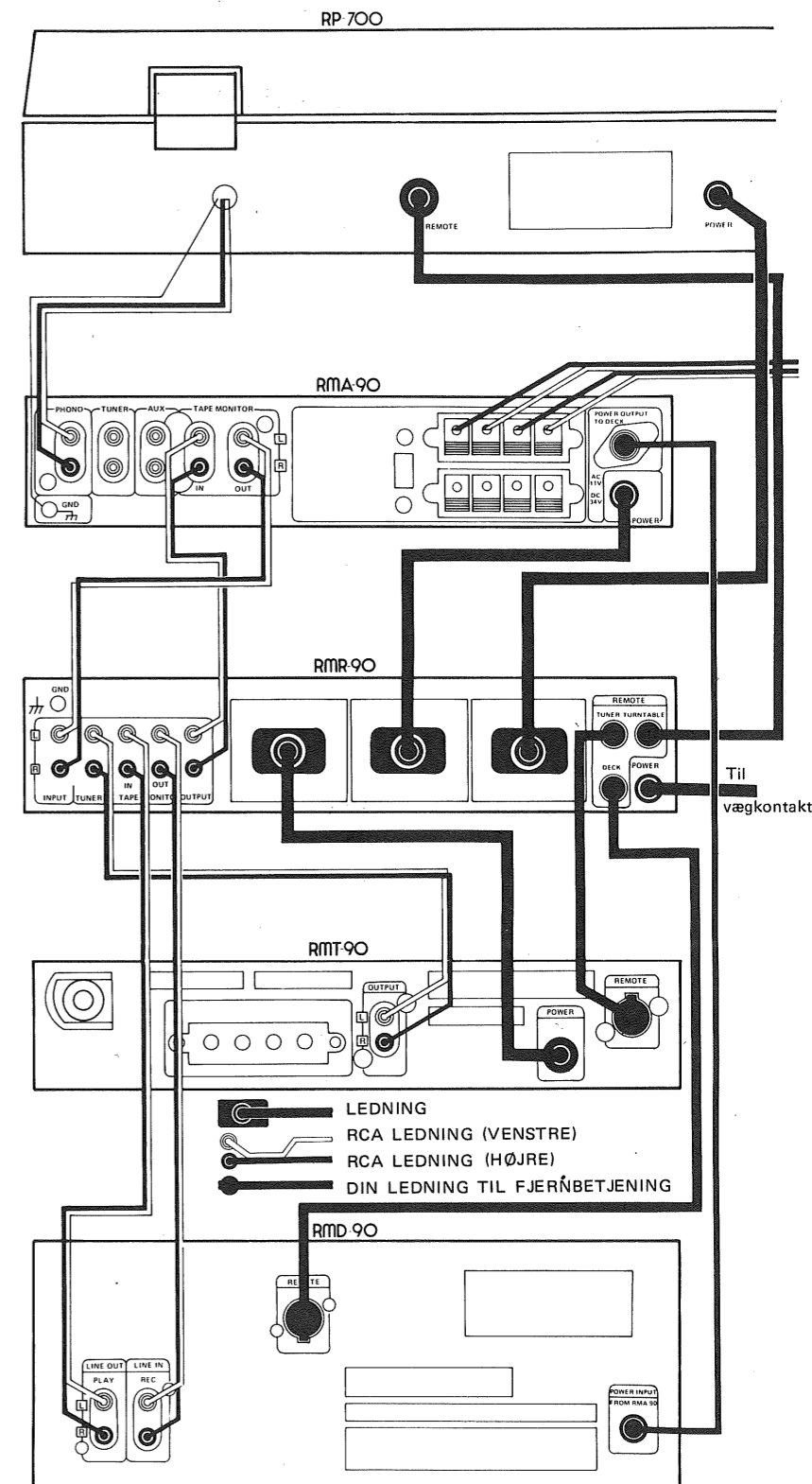
• Ledningsforbindelse

Sæt ledningen fra forstærkeren/deck, tuneren og pladespiller i forbindelse med RMR-90 ved hjælp af a.c. kontakterne på bagpanelet. Hver enkelt komponent vil herefter have strømforsyning, når fjernstyrings-afbryderen på RMR-90 er trykket på.

Bemærk: RMD-90 er konstrueret til strømforsyning udelukkende fra den specielle strømforsyningskontakt, som forefindes på bagpladen af den integrerede forstærker, RMA-90. Sæt RMD-90's netstik i stikkontakten på RMA-90. Sæt aldrig RMD-90's netstik i en vægkontakt eller i en stikkontakt på en anden lydkomponent.

• RCA-stikben-lednings forbindelse

Sæt RMR-90 INPUT-forbindelsespunkt i forbindelse med TAPE MONITOR-1 OUT forbindelsespunkt på forstærkeren. Når funktions-

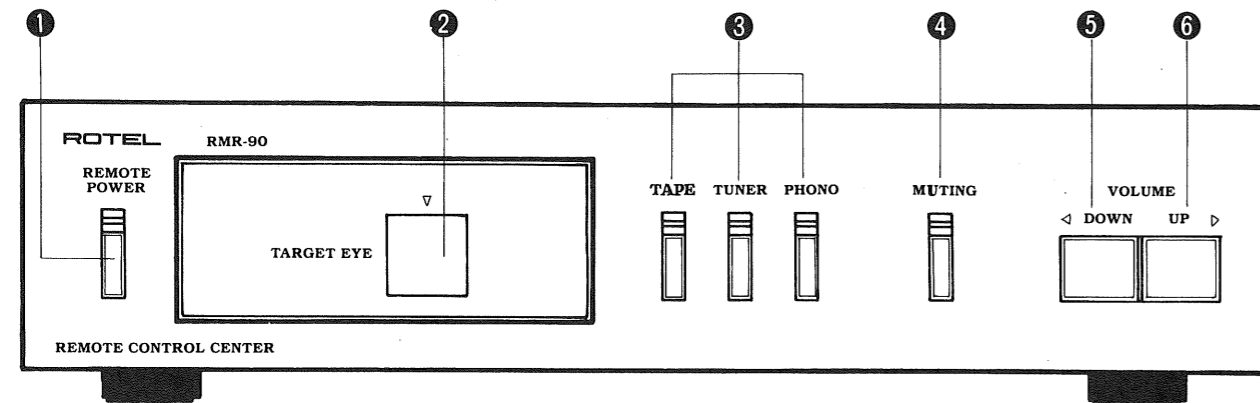


vælgeren er indstillet på PHONO, og tape monitor-afbryderen er på TAPE 1 på forstærkeren, vil signalet fra pladespilleren blive sendt til enheden gennem INPUT-forbindelsespunktet. RCA-stikben-ledningerne fra pladespilleren må sættes i forbindelse med forstærkeren, ikke med RMR-90 direkte, fordi signalet fra pladespilleren først må passere gennem equalizer-forstærker sektionen i forstærkeren før det sendes til RMR-90. Sæt TUNER IN forbindelsespunkterne på RMR-90 i forbindelse med tunerens OUTPUT forbindelsespunkter. Sæt TAPE IN forbindelsespunkterne på RMR-90 i forbindelse med OUT (PLAY) forbindelsespunkterne på tape deck'et, og TAPE OUT forbindelsespunkterne på RMR-90 med IN (REC) på deck'et. Sæt RMR-90 OUTPUT forbindelsespunkterne til TAPE MONITOR-1 IN forbindelsespunkterne på forstærkeren. Ved forbindelse af komponenter med RCA-stikbenledninger, sørg for at etablere den korrekte højre og venstre forbindelse. Læg mærke til mærkerne for højre og venstre på bagpanelet af hver enkelt komponent. Hvh. R og L.

● Forbindelse af DIN-ledninger til fjernbetjening

Fra RMR-90 apparatets bagpanel løber tre forskellige DIN-ledninger til fjernbetjeningen, 3 stikben, 8 stikben og 10 stikben. Stik 3 stikben-ledningen ind i fjernbetjeningsstikkontakten på pladespillerens bagende, 8-stikben-ledningen i fjernbetjeningsstikkontakten på tape-deck'ets bagside og 10 stikben ledningen i fjernbetjeningsstikkontakten på tunerens bagside. Sørg for at stik hver lednings stik ordentligt ind i kontakten.

Bemærk: Købers brugsanvisning, som følger med køb af de respektive komponenter, giver instruktioner udelukkende angående brug under normale omstændigheder. Anvendes disse komponenter i forbindelse med RMR-90, følg da instruktionen i denne lille bog først, hvad angår brugen af dette materiel.



AFBRYDERE OG KONTROLNAPPER

(1) Fjernafbryder

Tryk på denne knap, hvis de vil tænde for forstærkeren, tuneren, tape deck'et eller pladespilleren. Man afbryder ved at trykke endnu engang. Strømforsyningen til RMR-90 er konstant, så længe enhedens ledning er forbundet med en stikkontakt.

(2) Måløje

Modtager impulser i form af infrarøde stråler, udsendt fra fjernstyrings-enheden.

(3) Funktions vælger

Anvendes til at vælge program kilder: Tryk på TAPE-knappen, hvilket fremkaldt signal fra tape-deck'et. Tryk TUNER knap for signal fra tuner og PHONO knap for signal fra pladespiller. LED-indikatorer over hver knap viser, hvilken funktion, der er valgt. Ovennævnte styring kan også udføres ved hjælp af fjernstyrer-enheden.

(4) Audio Muting knap

Tryk på denne knap vil straks give en stor reduktion af lydstyrken. Tilbagevenden til oprindelig lydstyrke opnås ved at trykke endnu engang. Denne knap er yderst nyttig, hvis man ønsker en mere afdæmpet lyd periodisk. Når audio-muting er i funktion, lyser LED-indikatoren over knappen. Ovennævnte styring kan også varetages af fjernstyrings-enheden.

(5) Lydstyrke-kontrol DOWN (◁)

Denne knap bruges til at reducere lydstyrken. Styrken aftager gradvist, når man trykker på knappen. Ovennævnte styring kan også varetages af fjernstyrings-enheden.

(6) Lydstyrke-kontrol UP (▷)

Bruges til at hæve lydstyrken. Styrken hæves gradvist ved at holde knappen trykket ind. Den maksimale kontrollerbare lydstyrke bestemmes af den forudindstillede styrke-knaps stilling på forstærkeren. Ovennævnte styring kan også varetages af fjernstyrings-enheden.

(7) Infrarødt øje

Det infrarøde øje styrer fjernoperation ved at sende en infrarød stråle til måløjet på hoved-enheden.

(8) Indikator lampe

Denne indikator lyser, når fjernstyrings-enheden udsender en infrarød stråle.

(9) Strømafbryder

Tryk denne knap ind, hvis De vil tænde for forstærkeren, tuneren, pladespilleren og tape-deck'et. Afbrydes ved at trykke endnu engang.

(10) Funktions-vælger

Vælger den ønskede program-kilde. Tryk på TAPE-knap for lyd fra tape deck, AM knap for AM-transmission fra tuner, FM knap for FM transmission og PHONO-knap for lyd fra pladespiller.

OPSTILLING

Sørg for, at anbringe enheden på en fast, vandret plade uden vibrationer, varme eller fugtighed.

Udsæt ikke enheden for direkte sollys. Anbring ikke enheden i et indelukket miljø som f. eks. nær en væg eller på en boghylde. Dårlig ventilation har uønskede virkninger på enheden.

(11) Stations-knapper

Disse knapper bruges til kalde forudindstillede stationer, registreret af tuner. Numrene 1 - 5 over de respektive knapper modsvarer stations-knap numrene på tuner.

(Stationsknap nr. 6 anvendes ikke for tuner RMT-90/RMT-90L.)

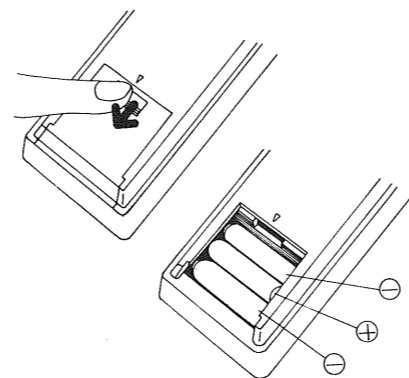
(12) Kasette kontrol-knapper

Disse knapper bruges til at styre tape deck-mekanismen. Tryk ■ knap for udløsning af playback, optagelse, hurtigt frem eller rewind. Brug ● knap ved optagelse. Denne knap fungerer anderledes end REC (●) knappen på tape

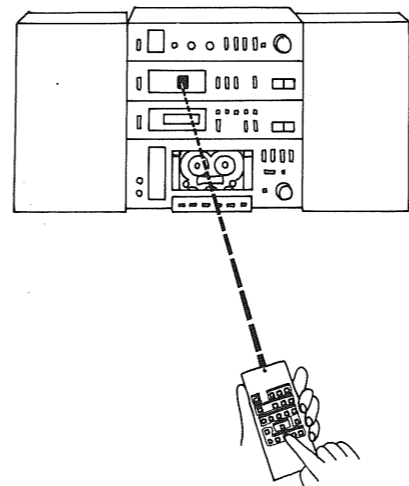
BETJENING

● RMR-90 fjernbetjenings-enhed tillader fjernbetjening af hver enkelt system-komponent ved hjælp af en infrarød stråle. RMR-90 består af en hoved-enhed med et måløje (infrarød stråle-modtager) og en fjernbetjenings-enhed med infrarødt øje (infrarød stråle-sender). Med sender-enheden i hånden, kan man styre ON-OFF i hele systemet, valg af program-kilde, opkald af forudindstillede radiostationer, betjening af kasette-mekanismen samt lydstyrken. Alt dette kan gøres fra, hvor man befinder sig, uden at man behøver at komme i nærheden af materiellet.

● Anbring tre SUM-3 tør batterier i fjernbetjenings-enheden, i korrekt "+", "-" stilling. Batteriernes levetid i enheden bør være ca. 2 år. Hvis indikatorlampen ikke lyser, selv om kontrolknapperne betjenes, eller hvis enheden mal-funktionerer kan grunden være døde batterier. Erstat alle tre batterier med nye.



● Når man styrer systemet ved hjælp af fjernstyrings-enheden, bør man målrette enhedens



deck'et. Tryk på knappen for at gøre deck'et klar til optagelse og tryk derpå knap II, der starter tape'et. Tryk på ◀ knappen for rewind. Tryk på ▶ knappen for play back. Tryk på ►► knappen for at køre tape'et hurtigt frem. Tryk på II knappen for midlertidig afbrydelse af tapeløb under optagelse eller playback. Man starter tape'et igen ved at trykke på knappen endnu engang.

(13) Start-Reject knap

Brug denne knap til styring af pladespilleren. Tryk knappen for start og tryk endnu engang for stop, og tonearmen svinger tilbage til udgangsstillingen.

infrarøde øje mod hoved-enhedens måløje. Hvis der er en genstand mellem senderen og måløjet, brydende lysstrålen linie, eller hvis man er for langt væk fra hoved-enheden, er fjernbetjening umulig. Forvis Dem om, at De er placeret således, at De kan se hoved-enheden uden hindring, og ikke længere væk end seks m. fra hoved-enheden.

● Forvis Dem om, at komponenterne er korrekt forbundet, DIN-ledning forbindelse til fjernbetjening, RCA ledning forbindelse etc.

● Stil funktionsvælgeren på forstærker til PHONO, og tape-monitor afbryder til TAPE 1. Stil lydstyrken på forstærkeren til position nul (0).

Betjening og funktions-check

1. Sæt RMR-90 stikket i en væg-stikkontakt.
2. TAPE indikator (rød) og TUNER indikator lyser begge.

3. Tryk på TAPE-knappen og afbryd indikatoren over knappen derved.
4. Tryk på REMOTE POWER-knappen og den røde indikator over knappen lyser op. Dernæst, aktiver knapperne på forstærkeren, tuner og pladespiller.

5. Her vil tuner-indikatoren på RMR-90 lyse, hvilket betyder, at enheden modtager signal fra tuneren. Drej ind på den ønskede station ved hjælp af tuneren eller modtageren.
6. Sæt forstærkerens lydstyrke i en passende stilling.

7. Tryk på lydstyrke UP knappen på RMR-90 for at hæve lydstyrken, bliv ved at trykke på knappen og styrken stiger til det fastsatte niveau, forudfastsat med lydstyrke-knappen på forstærkeren. Dette er det maksimale kontrollerbare niveau med den givne drejeknap-position. Ønskes højere lydstyrke, sæt da knappen på et højere niveau.

8. Tryk på lydstyrke DOWN-knappen på hoved-enheden for at reducere lydstyrken til normal lytte-styrke.

9. Ret fjernstyrings-enhedens infrarøde øje mod hoved-enhedens måløje. Tryk på afbryderen på fjernbetjenings-enheden. Check hver gang man trykker på afbryderen, at REMOTE POWER-indikatoren på hoved-enheden skiftevis lyser og slukkes. Når fjernbetjenings-enhedens afbryder aktiveres, er kontrolknapperne operative.

10. Når ovenfor nævnte fremgangsmåde er fulgt og alt er klar til normal betjening, luk for strømmen ved at trykke på REMOTE POWER-

(14) Styrke-kontrol knapper/Audio Muting knap

Disse knapper fungerer på samme måde som UP-DOWN styrkekontrol knapperne og audio muting-knappen på hoved-enheden.

knappen på hoved-enheden eller POWER-knappen på fjernbetjenings-enheden. Bemærk at strømforsyningen til hoved-enheden er konstant, selv efter at afbryderen er sat i OFF-stilling. Tag ikke hoved-enhedens ledning ud af stikkontakten.

De kan nu glæde Dem over at lytte, mens De har fuld kontrol over systemet med fjernbetjenings-enheden, idet De bruger følgende fremgangsmåde.

Hvis De lytter til AM/FM

1. Tryk på afbryderen.
2. Tryk på AM eller FM på funktionsvælgeren.

3. Tryk på stations-knappen, hvor den ønskede radiostation er indstillet.

Bemærk: Stationsknap nr. 6 anvendes ikke for tuner RMT-90/RMT-90L.

4. Tryk vedholdende på lydstyrke-knap UP, indtil den ønskede lydstyrke er opnået.

Afspilning af plader

1. Tryk på afbryderen.
2. Tryk på funktions-vælgerens PHONO-knap.

3. Når en plade er lagt på pladetaljerken, starter man afspilning ved at trykke på START/REJECT-knappen.

4. Tryk lydstyrke-knappen vedholdende ind (UP) til den ønskede lydstyrke er opnået. **Bemærk:** Når man lægger en plade på pladetaljerken, bør man indstille pladetaljerkenes fart- og størrelsesvælgere i overensstemmelse med pladen.

Tape-playback

1. Tryk på afbryderen.
2. Tryk på funktionsvælgerens TAPE-knap.

3. Når man har forvisset sig om, at et kassetape er korrekt indsat i kasette-deck'et, start playback ved hjælp af kasette kontrolknapperne.

4. Tryk lydstyrke-knap UP vedholdende ind, indtil den ønskede styrke opnås.

Bemærk: Ved indsættelse af kasette-tape, stil tape-vælgeren på tape-deck'et i den stilling, der stemmer med tape-typen.

Program-kilde optagelse

1. Tryk på afbryderen.
2. Tryk på den rigtige knap på funktionsvælgeren, AM, FM eller PHONO alt efter hvilken program-kilde, der ønskes optaget og sæt materiellet i "Play" stilling.

3. Når man har forvisset sig om, at der er et kasette-tape i tape-deck'et, start optagelse ved hjælp af kasette kontrol knapperne.

4. Program-kilden kan høres under optagelsen.

Bemærk: Signalet, der sendes gennem TAPE OUT terminalerne på RMR-90, påvirkes ikke, når lydstyrke-kontrollen betjenes, etc.

SPECIFIKATIONER

HOVEDENHED

IC	9
Transistor	24
Diode	38
Keramisk oscillerende element	1
Relæ	2
Lysgivende diode (LED)	5
Operationsrækkevidde	6m
Strømkrav	120V/60Hz, 220V/50Hz, 240V/50Hz, 120, 220, 240V/50-60Hz
Totalmål	279 (længde) x 66 (højde) x 262 (bredde) mm
Vægt	2,6kg

SENDERENHED

IC	1
Transistor	3
Diode	2
Keramisk oscillerende element	1
Infrarød lysgivende diode	2
Lysgivende diode (LED)	1
Strømkrav	SUM-3 (UM-3) tørt batteri (1,5VDC) x 3
Totalmål	74 (længde) x 24 (højde) x 172 (bredde) mm
Vægt	185g

• Vi forbeholder os ret til at ændre specifikationer og design uden varsel.

NORSK

MIKRO-FJERNKONTROLL SENTER RMR-90

INNLEDNING

Vi på Rotel ønsker å takke deg for å ha kjøpt vårt hi-fi-produkt.

Rotel hi-fi-produkter gjør nytte av den nyeste teknologi innen elektronikk, og de inkorporerer vår lange erfaring som spesialistprodusent av hi-fi-utstyr. Vi er sikre på at du vil bli tilfreds med den suverene lydkvaliteten og den høye yteevnen, og at du vil glede deg over den funksjonelle skjønnhet som er et resultat av menneskers streben etter å skape det ypperste innen ingeniørarbeid. Før du begynner å bruke utstyret, vennligst les denne instruksjonsboken grundig og gjør deg kjent med hvordan apparatet bør behandles, og alle dets koplingsmuligheter.

Vi håper du vil få mye glede av produktets prima ytelse i mange år fremover.

STRØMFORSYNING

Før støpselet til hovedapparatet (RMR-90) plugges inn i en kontakt, forsikre deg om at spenningen som er oppgitt på apparatets bakside er den samme som gjelder i det område du bor. Kople aldri apparatet til noen annen spenning enn den som er oppgitt. Støpslene til komponentene som fjernstyres ved hjelp av sendeapparatet (RMR-90s fjernkontrollenhet) kan plugges inn på baksiden av hovedapparatet.* Prøv aldri å kople til noe annet elektrisk eller elektronisk utstyr enn det som er nevnt ovenfor. Plugg ikke inn apparatet før du er sikker på at alle koplingene er korrekt tilsluttet.

*RMR-90 kan samtidig tilføre strøm til følgende apparater: Rotel stereo integrert forsterker RMA-90 og AM/FM tuner RMT-90 (eller RMT-90L), stereo platespiller RP-700 og stereo kassettdekk RMD-90.

TILSLUTNING/SAMMENKOPLING AV KOMPONENTENE

Tilslutt alle nødvendige HI-FI komponenter på korrekt måte i henhold til illustrasjonen.

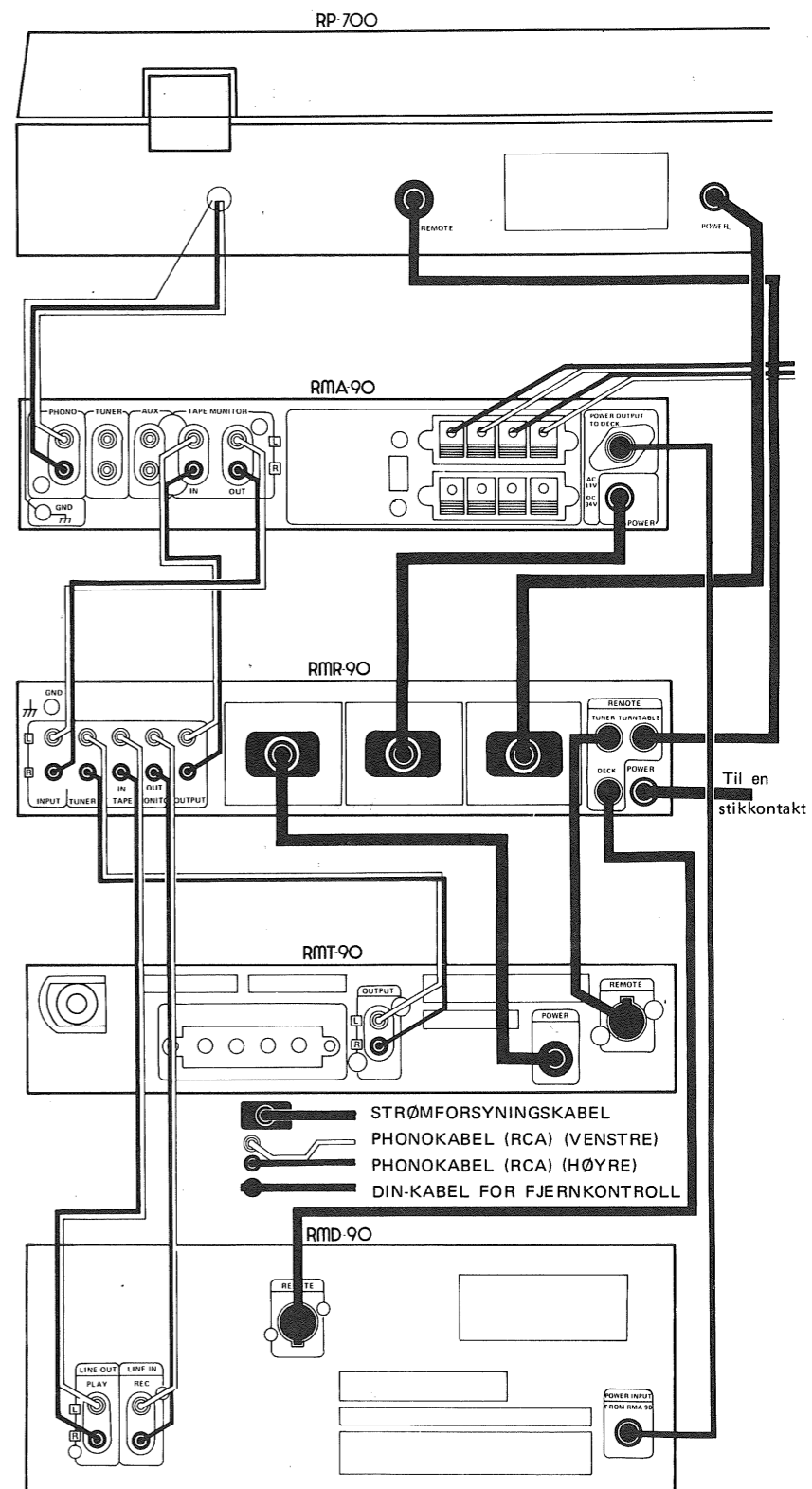
• Tilstuning av støpsler

Plugg støpslene fra forsterker/kassettdåddoptaker, tuner (eller receiver), kassettdåddoptaker og platespiller inn i stikkontaktene på baksiden av RMR-90. Hver komponent vil da få tilført strøm straks AV/PÅ bryteren (REMOTE POWER) slås på.

NB: RMD-90 er konstruert til å bli strømforsynt kun via det spesielle strømuttak som finnes på den integrerte forsterkeren RMA-90s bakpanel. Plugg RMD-90s støpsel inn i stikkontakten på RMA-90s bakpanel. Plugg aldri RMD-90s støpsel inn i noen stikkontakt på veggen eller i andre uttak på de øvrige stereo-komponenter.

• Tilslutning av phono-kabler

Tilslutt INPUT-terminalene på RMR-90 til TAPE MONITOR-1 OUT-terminalene på forsterkeren ved hjelp av phono-kabler. Når



funksjonsvelgeren settes i stillingen PHONO, og tape monitor bryteren på forsterkeren settes i stillingen TAPE 1, vil signalet fra platespilleren bli sendt til fjernkontroll-senterets hovedapparat gjennom INPUT terminalene. Kablene fra platespilleren skal tilsluttes forsterkeren, ikke til RMR-90 direkte. Dette er fordi signalet fra platespilleren må gå gjennom equalizer (RIAA) forsterkerseksjonen i forsterkeren før det sendes til RMR-90.

Tilslutt TUNER IN terminalene på RMR-90 direkte til OUTPUT terminalene på tuner. Tilslutt TAPE IN terminalene på RMR-90 til OUT (PLAY) terminalene på kassettbåndopptakeren og TAPE OUT terminalene på RMR-90 til IN (REC) terminalene på kassettbåndopptakeren.

Tilslutt RMR-90 OUTPUT terminalene til TAPE MONITOR-1 terminalene på forsterkeren.

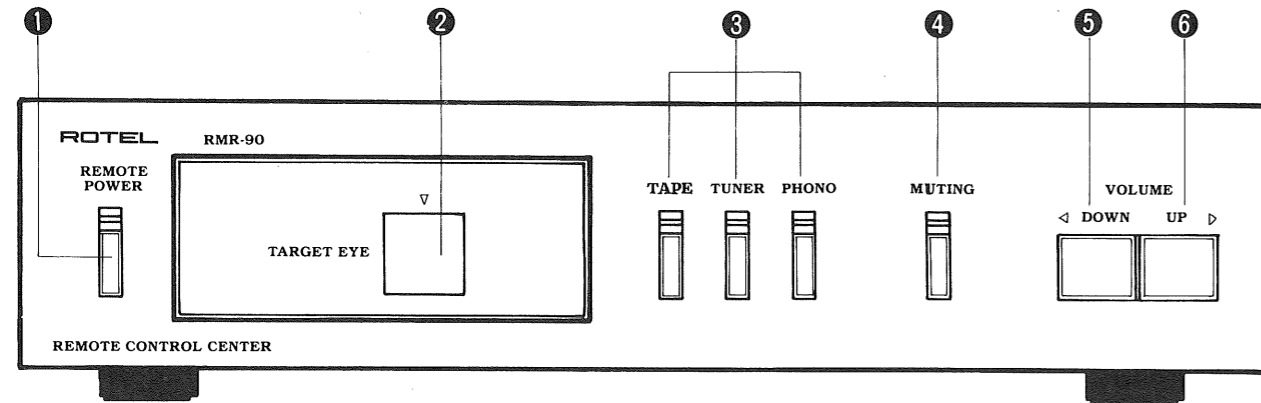
Når du sammenkobler apparatene med phono-kabler, forsikre deg om at du kobler riktig med hensyn til høyre og venstre kanaler. Legg

merke til markeringene L (left: venstre) og R (right: høyre) på baksiden av hver enkelt komponent.

● Tilslutning av DIN-kabler for fjernkontroll

Tre ulike typer DIN-kabler strekker seg fra baksiden av RMR-90 for fjernkontroll formål, — 3-pin, 8-pin og 10-pin kabler. Plugg 3-pin kabelen inn i fjernkontrollkontakten på baksiden av kassettdokumentet; 8-pin kabelen plugges inn i fjernkontrollkontakten på baksiden av tuner. Forsikre deg om at hver enkelt plugg er plugges skikkelig inn i sine respektive kontakter.

Nota bene: Instruksjonsbøkene som følger med de respektive HI-FI komponentene gir kun instruksjoner for bruk under normale omstendigheter. Når en bruker disse komponentene sammen med RMR-90 enheten, følg instruksjonene i denne instruksjonsveiledningen først, med hensyn til tilkopling, sammenkopling og bruk av utstyret.



BRYTERE OG KONTROLLER

(1) AV/PÅ bryter (REMOTE POWER)

Trykk på denne knappen for å slå på forsterker, tuner, kassettdokument og platespiller. Trykk på bryteren en gang til for å slå av komponentene. RMR-90, hovedapparatet, får tilført strøm så lenge dette apparatets støpsel er plugges inn i en vanlig stikkontakt.

(2) Måløye (Target Eye)

Mottar kommando-signaler i form av infrarøde stråler fra fjernkontrollenheten (sendeapparatet).

(3) Funksjonsvelger

Brukes til å velge programkilde. Trykk på TAPE for å høre signaler som kommer fra kassettdokumentet; TUNER for å høre signaler fra tuner; og PHONO knappen for å lytte til hva som kommer fra platespilleren. Like ovenfor hver av knappene er der LED-indikatorer som viser hvilken funksjon som er valgt. Kontrollene som er nevnt ovenfor kan også utføres ved hjelp av fjernkontrollenheten.

(4) Nivåsenkningsknapp (Audio Muting)

Når en trykker på denne knappen vil lydnivået øyeblikkelig senkes til et relativt mye lavere nivå, og ved å trykke på den samme knappen en gang til vil det opprinnelige lydnivået komme tilbake. Denne knappen er meget nyttig når du ønsker en kortvarig periode med lavere lydnivå. Når funksjonen er i bruk lyser en LED lampe (Stasjonsvelger-knapp Nr. 6 kan ikke brukes med

tuneren RMT-90/RMT-90L.) over knappen. Denne funksjonen kan også betjenes ved hjelp av fjernkontrollenheten.

(5) Volum ned (DOWN)

Denne knappen brukes til å redusere lydnevået. Volumet minsker gradvis når knappen holdes inne. Denne kontrollfunksjonen kan også betjenes ved hjelp av fjernkontrollenheten.

(6) Volum opp (UP)

Brukes til å øke lydnevået. Volumet øker gradvis når knappen holdes inne. Maksimalt lydnevå bestemmes av det forhåndsinnstilte nivå av volumknappen på forsterkeren. Denne kontroll funksjonen kan også betjenes ved hjelp av fjernkontrollenheten.

(7) Infrarødt øye (Infrared Eye)

Når en betjener fjernkontroll-senderen, overfører det infrarøde øyet på fjernkontrollenheten en infrarød stråle til måløyet (Target Eye) på hovedapparatet.

(8) Indikator lampe

Denne lyser når fjernkontrollenheten sender en infrarød stråle.

(9) Av/på bryter (POWER)

Trykk på denne knappen for å slå på forsterker, tuner, platespiller og kassettdokument. For å slå av, trykk på den samme knappen en gang til.

(10) Funksjonsvelger

Velger ønsket programkilde; trykk på TAPE-knappen for å høre lyd fra kassettdokumentet, AM-knappen for å lytte til mellombølge på tuner,

INSTALLASJON

Plasser apparatet vannrett på et sted som er fritt for fuktighet, vibrasjon og høy temperatur. Apparatet bør heller ikke utsettes for direkte sollys. Vær forsiktig med å ikke plassere apparatet på et innelukket sted, som f.eks. for nær en vegg eller sammenklemt i en bokhylle. Dårlig ventilasjon vil forårsake uønskede arbeidsforhold for apparatet.

FM-knappen for FM kringkasting og PHONO-knappen for å høre lyd fra platespilleren.

(11) Stasjonsknapper

Disse knappene brukes til å fremkalle forhåndsinnstilte stasjoner som er lagret i hukommelsen til tuner. Nummerene fra 1 til 5 like under hver knapp korresponderer med de respektive stasjonsvelgerknapp-nummerene på tuner.

(12) Kassettdokument kontrollknapper

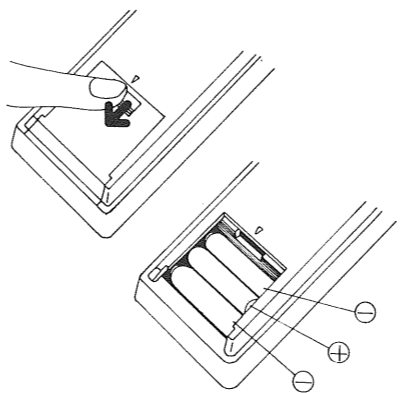
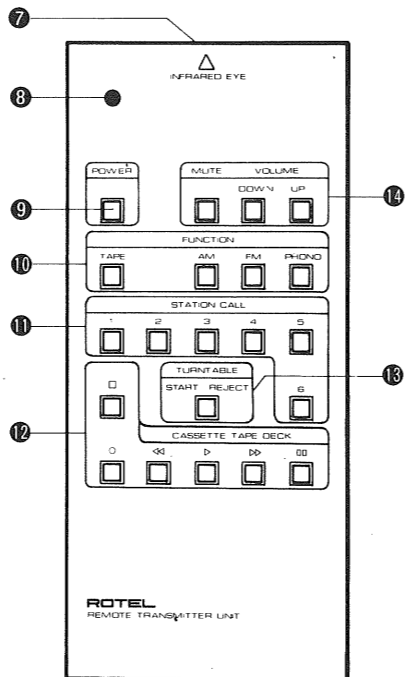
Disse knappene brukes til å kontrollere kassettdokumentets båndtransportmekanisme. Trykk ned ■-knappen for å stoppe avspilling, opptak, hurtig frem eller tilbake spoling.

BRUK

● RMR-90 Fjernkontroll-senter muliggjør fjernkontroll av hver enkelt komponent i HI-FI anlegget ved hjelp av en infrarød stråle. RMR-90 består av en hovedenhet med et måløye (Target Eye — en infrarød stråle mottaker), og en fjernkontroll-enhet med et infrarødt øye (infrarød stråle sender). Med fjernkontroll-enheten (senderen) i hånden, kan De kontrollere av/på funksjonen for alle anleggets komponenter samtidig, valg av programkilde, finne frem forhåndsinnstilte kringkastingssstasjoner, starte eller stoppe opptak/avspilling, og andre funksjoner på kassettdokumentet, og kontrollere lydnevået. Alt dette kan gjøres fra hvor du befinner deg, uten at det er nødvendig å gå bort til anlegget og betjene det manuelt.

● Putt tre SUM-3 tørrbatterier inn i fjernkontroll-enheten, — se etter at polaritetene er riktige (+ til + og — til —).

Forventet levetid for batteriene er omkring 2 år. Hvis indikatorlampe ikke lyser selv om kontrollknappene trykkes ned, eller hvis enheten feilfunksjonerer, kan årsaken være døde batterier. Erstatt samtlige tre batterier med nye.



● Når du bruker fjernkontrollenheten til å operere anlegget, bør det infrarøde øyet rettes mot måløyet på hovedapparatet. Hvis noe står i veien for den infrarøde strålen, mellom sender og mottaker, er ikke fjernkontroll mulig. Det samme gjelder dersom du befinner deg for langt borte fra hovedapparatet. Forsikre deg om at du er på et sted der du kan se hovedapparatet uten hindringer i mellom, og ikke mer enn seks meter borte fra hovedapparatet.

● Før du starter bruken, forsikre deg om at støpselen for hver enkelt komponent DIN-kablene for fjernkontroll og phono-kabel tilkoplingene etc., alle er plugges riktig og skikkelig.

Bruk ●-knappen når du ønsker å gjøre et båndopptak. Denne knappen virker forskjellig fra knappen REC (●) på kassettdokumentet. Trykk ned knappen for å sette kassettdokumentet i klarstilling for båndopptak og trykk deretter ned ■-knappen for å starte båndtransporten.

Trykk ned ◀-knappen for tilbakespuling.

Trykk ned ▶-knappen for avspilling.

Trykk ned ►►-knappen for fremspuling.

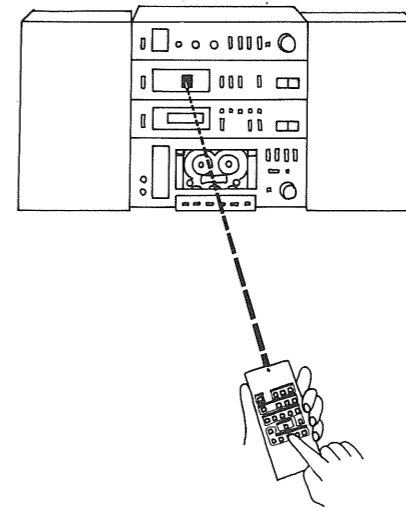
Trykk ned II-knappen når du ønsker en pause (stopper båndtransporten) under båndopptak eller avspilling. Trykker du på den samme knappen en gang til vil båndet starte å bevege seg igjen, og kassettdokumentet gjenopptar funksjonen som var i gang før knappen ble trykt ned.

(13) Start/stopp knapp

Bruk denne knappen til å kontrollere platespilleren. Trykk på knappen én gang, og platespilleren starter å avspille platen, trykk ned knappen en gang til, og avspillingen stanses og pick-up armen returnerer til hvilestilling.

(14) Volumbryter og mutingknapp

Disse knappene virker på samme måte som forklart ovenfor for UP/DOWN volumbryter og nivåsenkningsknapp (Audio Muting) på hovedapparatet.



nivå, så skru opp volumkontrollen på forsterker.

8. Trykk in volumknappen DOWN på RR-700 for å redusere lydnevået til vanlig lyttenivå.

9. Rett det infrarøde øyet på fjernkontroll-enheten i retning av måløyet (Target Eye) på hovedapparatet. Trykk ned POWER bryteren på fjernkontroll-enheten. Sjekk om REMOTE POWER indikatoren på hovedapparatet slås av og på ettersom POWER bryteren på fjernkontroll-enheten slås av og på. Når fjernkontroll-enhetens POWER-bryter er slått på er kontrollknappene på enheten operative.

10. Etter at du er ferdig med å gå gjennom prosedyren som er spesifisert ovenfor, skru av strømtilførselen ved å trykke inn REMOTE POWER-knappen på hovedapparatet eller POWER-knappen på fjernkontroll-enheten. Legg merke til at hovedapparatet konstant tilføres strøm, selv etter at POWER-bryteren er slått av. Trekk ikke ut støpslet av stikkkontakten.

● Sett funksjonsvelgeren på forsterker på PHONO og tape monitor bryteren på TAPE 1. Skru ned volumkontrollen på forsterker så den står på 0.

Innledende sjekk av operasjon og funksjoner

1. Plugg støpslet fra RMR-90 inn i en stikkontakt.

2. TAPE indikator og TUNER indikator (henholdsvis rød og grønn) lyser opp.

Nota bene: Det er også mulig at en eller flere av de andre indikatorene lyser. Hvis de gjør det, trykk på REMOTE POWER-knappen og/eller AUDIO MUTING-knappen for å slå av indikatoren, trykk inn TUNER-knappen; TUNER indikatoren vil da lyse istedenfor.

3. Trykk inn TAPE-knappen for å slå av indikatoren, trykk inn TUNER-knappen; TUNER indikatoren vil da lyse istedenfor.

4. Trykk inn REMOTE POWER-knappen og det røde indikatorlyset over knappen kommer på. Dernest slå på POWER-bryterne på forsterker, tuner og platespiller.

5. Nå vil TUNER-indikatoren på RMR-90 lyse for å vise at enheten tilføres signal fra tuner. Still inn på en radiostasjon ved hjelp av tuner.

6. Sett volumkontrollen på forsterker i en passende stilling.

7. Trykk inn volumknappen UP på RMR-90; hold knappen inne og volumet øker inntil det når det på forhånd innstilte nivå på forsterker. Dette er nå det maksimale kontrollerbare nivå med denne innstillingen av volumkontrollen på forsterker. Ønsker du et høyere

Nå kan du glede deg over lytting og ha fullstendig kontroll over hi-fi anlegget ved hjelp av fjernkontrollenheten. Følg bare trinnene i veiledningen under.

Lytting til AM/FM kringkasting

1. Trykk inn POWER-knappen.
2. Trykk på AM eller FM knappen på funksjonsvelgeren.

3. Trykk in stasjonsvelgerknappen der den ønskede stasjon er memorert.

NB: Stasjonsvelger-knapp Nr. 6 kan ikke brukes med tuner RMT-90/RMT-90L.

4. Hold volumkontrollknappen inne inntil ønsket volum oppnås.

Avspilling av plate

1. Trykk inn POWER-knappen.
2. Trykk på PHONO-knappen på funksjonsvelgeren.

3. Etter at du har forsikret deg om at en plate ligger på platetallerkenen, trykk inn START/REJECT-knappen for å starte avspilling.
4. Hold volumkontrollknappen UP inne inntil ønsket volum er oppnådd.

NB: Når en plate plasseres på platetallerkenen, se etter at hastighet og størrelse velgerene på platespilleren er riktig stilt inn i overensstemmelse med typen plate som legges på tallerkenen.

Avspilling av kassettydabånd

1. Trykk inn POWER-knappen.
2. Trykk på TAPE-knappen på funksjonsvelgeren.
3. Etter at du har forsikret deg om at et

kassettydbånd er ordentlig på plass i kassettdetektet, start avspilling ved hjelp av kassettkontrollknappene.

4. Hold volumkontrollknappen UP inne inntil ønsket volum er oppnådd.

NB: Når du putter et kassettydbånd inn i kassettdetektet, still inn båndtypevelgeren så den stemmer overens med typen bånd som puttes inn i kassettdetektet.

Lydbåndopptak av programkilder

1. Trykk inn POWER-knappen.

2. Trykk på knappen på funksjonsvelgeren for den programkilden du ønsker å ta opp på bånd. Sett kassettdetektet i stilling for avspilling.

3. Etter at du har forsikret deg om at et kassettydbånd er på plass i kassettdetektet, start opptaket ved hjelp av kassettdetektets kontrollknappene som forklart ovenfor.

4. Programkilden kan høres under opptaket.

NB: Signalet som sendes gjennom TAPE OUT terminalene på RMR-90 påvirkes ikke av volumkontroll etc..

TEKNISKE DATA

HOVEDAPPARAT

IC (integreerte kretser)9
Transistorer24
Dioder38
Keramisk oscillerende element1
Reléer2
Lys-emitterende dioder (LED)5
Operasjons-rekkevidde6m
Strømforsyning120V/60Hz, 220V/50Hz, 240V/50Hz, 120, 220, 240V/50-60Hz

Dimensjoner279 (B) x 66 (H) x 262 (D) mm
Vekt2,6kg

SENDEAPPARAT (FJERNKONTROLLENHET)

IC (integreert krets)1
Transistorer3
Dioder2
Keramisk oscillerende element1
Infrarøde lys-emitterende dioder2
Lys-emitterende diode (LED)1
StrømforsyningSUM-3 (størrelse "AA") x 3 stk.
Dimensjoner74 (B) x 24 (H) x 172 (D) mm
Vekt185g

- Produsenten forbeholder seg retten til å foreta endringer av design, konstruksjon og tekniske data uten forvarsel.

RMR-90

OWNER'S MANUAL
BEDIENUNGSANLEITUNG
MANUEL DE L'UTILISATEUR
GEBRUIKSAANWIJZING
MANUAL DEL USUARIO
MANUALE DELLE ISTRUZIONI
BRUKSANVISNING
KÄYTTÖOHJEET
BETJENINGSVEJLEDNING
INSTRUKSJONSBOK

THE ROTEL CO., LTD.

1-36-8, Ohokayama, Meguro-ku, Tokyo, Japan

833201421
Y-147B-3-811015C-45C
Printed in Japan