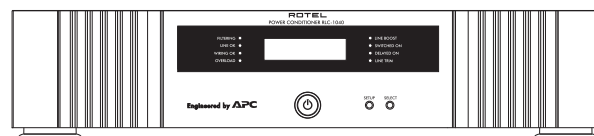


Owner's Manual

RLC-1040 Power Conditioner



Important Safety Information

WARNING: There are no user serviceable parts inside. Refer all servicing to qualified service personnel.

WARNING: To reduce the risk of fire or electric shock, be sure that the apparatus shall not be exposed to dripping or splashing and that no objects filled with liquids, such as vases, shall be placed on the apparatus. Do not use this product in an environment where the relative humidity may exceed 95% (non-condensing).

Do not allow foreign objects to get into the enclosure. If the unit is exposed to moisture, or a foreign object gets into the enclosure, immediately disconnect the power cord from the wall. Take the unit to a qualified service person for inspection and necessary repairs.

Read all the instructions before connecting or operating the component. Keep this manual so you can refer to these safety instructions.

Heed all warnings and safety information in these instructions and on the product itself. Follow all operating instructions.

Unplug this device from the wall outlet before cleaning. Clean the enclosure only with a dry cloth or a vacuum cleaner. **Note:** A product that is meant for uninterrupted service and for some specific reason, such as the possibility of the loss of an authorization code for a cable TV converter, is not intended to be unplugged by the user for cleaning or any other purpose, may exclude the reference to unplugging this device.

You must allow 10 cm or 4 inches of unobstructed clearance around the unit. Do not place the unit on a bed, sofa, rug, or similar surface that could block the ventilation slots. If the component is placed in a bookcase or cabinet, there must be ventilation of the cabinet to allow proper cooling.

Keep the component away from radiators, heat registers, stoves, or any other appliance that produces heat.

The unit must be connected to a power supply only of the type and voltage specified on the rear panel of the unit. Do not use a plug adapter which defeats the ground pin of the AC plug.

Connect the component to the power outlet only with the supplied power supply cable or an exact equivalent. Do not modify the supplied cable in any way. Do not attempt to defeat grounding and/or polarization provisions. Do not use extension cords.

Do not route the power cord where it will be crushed, pinched, bent at severe angles, exposed to heat, or damaged in any way. Pay particular attention to the power cord at the plug and where it connects to the back of the unit. After connecting other devices to this device, do not push the rear of the device up against any surface (wall or shelving unit), as this may create an undesired bend in the power cords which may break the wire strands of the cord.

Although this device provides protection against electrical surges, when connecting an outside antenna or cable system to devices connected to this device, ensure the antenna or cable system is grounded so as to provide additional protection against voltage surges and static charges in accordance with Section 810 of the National Electric Code, ANSI/NFPA No.70 or later (see illustration).

This device provides a grounding lug at the rear panel for grounding the device to an external Transient Voltage Surge Suppression (TVSS) device. Ensure this connection is made in accordance with the instructions provided by the TVSS device.

This device employs Metal Oxide Varistors (MOVs), and other circuitry to protect against lightning and other sources of voltage surges and sags. It is not necessary to turn this device or the devices connected to this device, off during a lightning storm.

Do not locate outside antenna systems near overhead power lines, or other electric light or power circuits, or where it may fall or otherwise come in contact with these power sources. Do not allow the ladder being used, or the antenna itself to come into contact with these power sources, as such contact may be fatal.

Do not overload the wall outlet where this device is being connected. Do not overload this device. Ensure the total load to this device does not exceed that which is listed in the Specifications section of this manual.

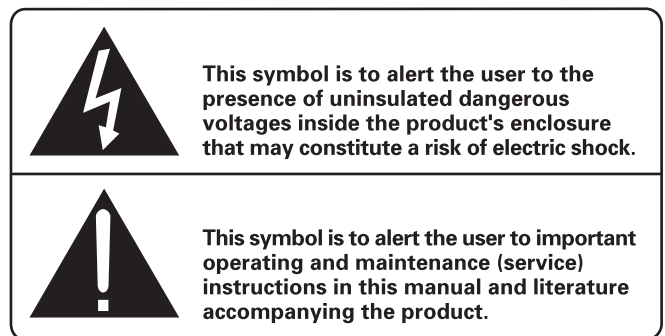
Inspect the line cords, telephone/data cords, or DSS/Cable TV coaxial cables connected to this device to ensure they remain fully pushed in or attached, and that they are not frayed or otherwise damaged.

Immediately stop using the component and have it inspected and/or serviced by a qualified service agency if:

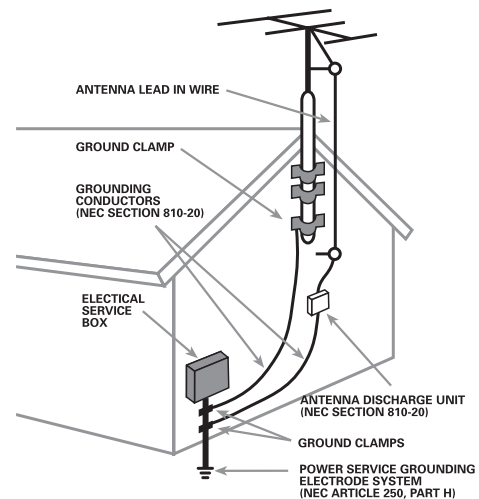
- The power supply cord or plug has been damaged.
- Objects have fallen or liquid has been spilled into the unit.
- The unit has been exposed to rain.
- The unit shows signs of improper operation
- The unit has been dropped or damaged in any way



Place the unit on a fixed, level surface strong enough to support its weight. Do not place it on a moveable cart that could tip over.



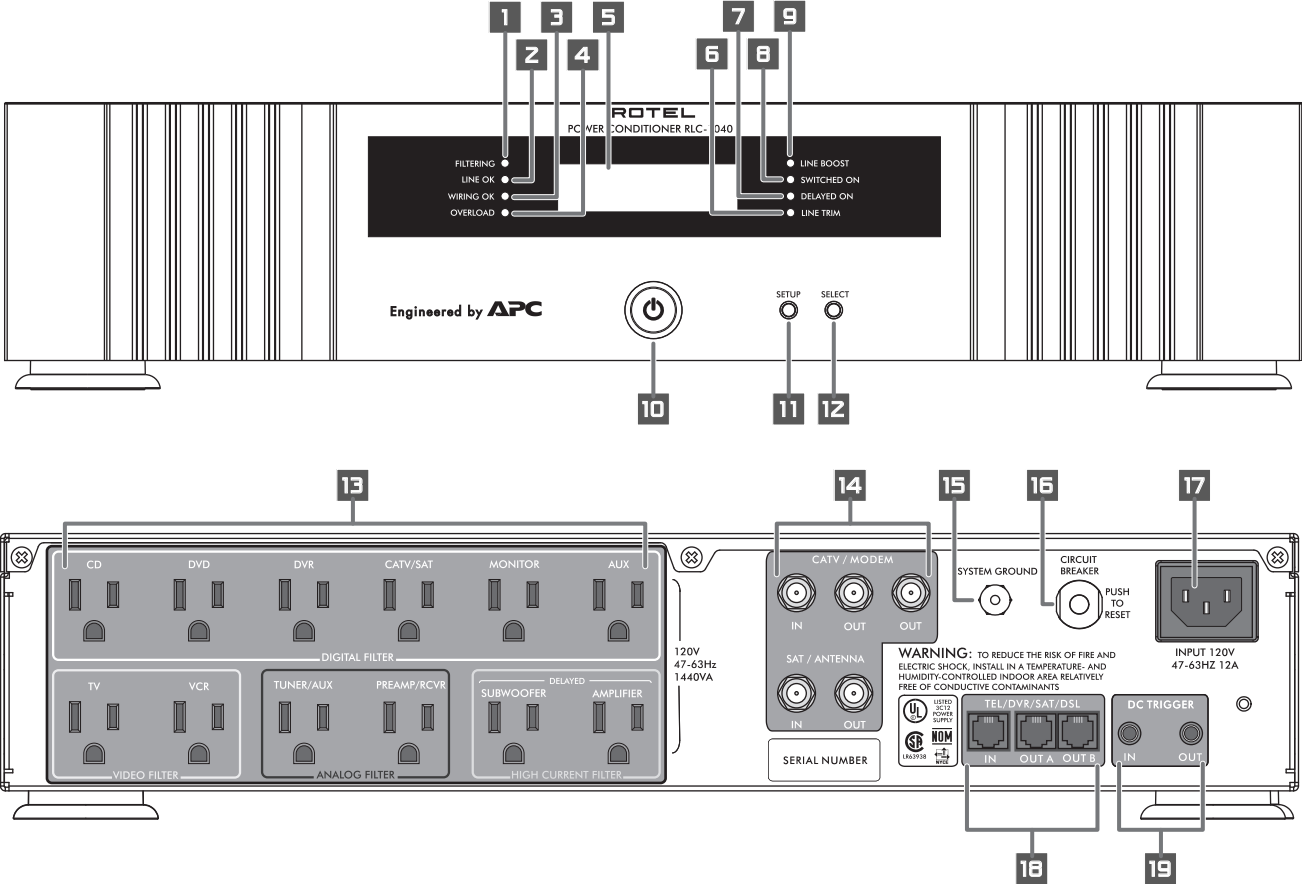
ANTENNA GROUNDING ACCORDING TO NATIONAL ELECTRICAL CODE INSTRUCTIONS SECTION 810: "RADIO AND TELEVISION EQUIPMENT"



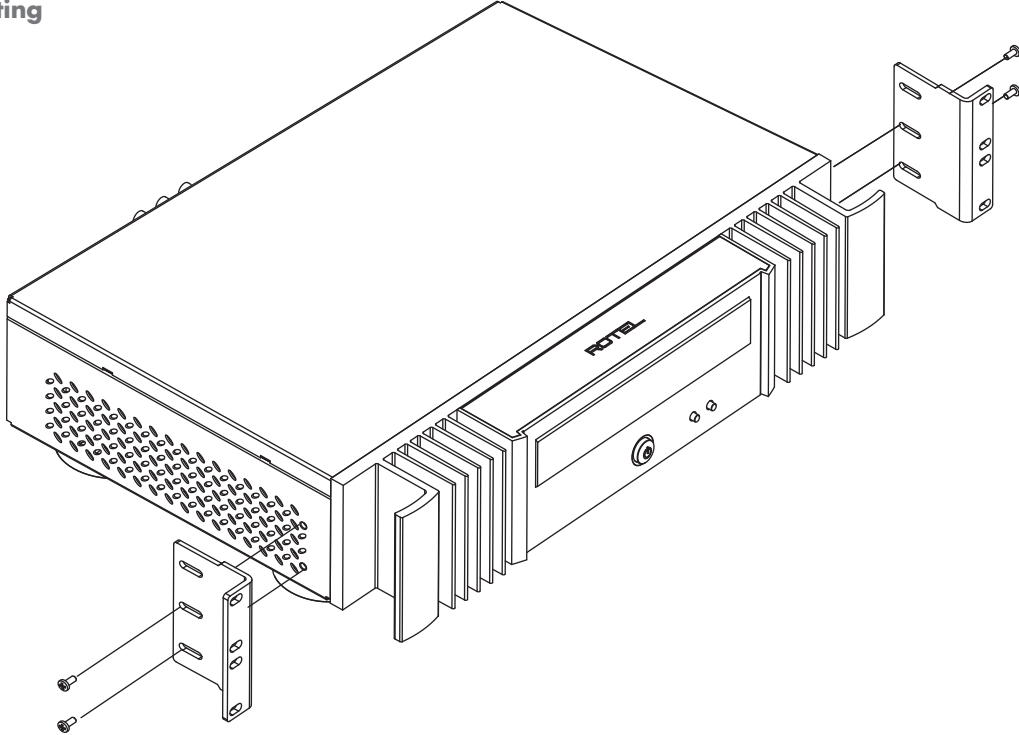
Federal Communications Commission (FCC) Compliance Information

This device complies with Part 68 and Part 15 of the FCC rules. Operation is subject to the following two conditions: (1) This device must not cause harmful interference, and (2) This device must accept any interference received, including interference that may cause undesired operation. As required, the bottom of this equipment contains, among other information, the Registration Number and Ringer Equivalence Number (REN) for this equipment. If requested, this information must be provided to the telephone company.

Front and Rear Panel Controls and Connections



Rack Ear Mounting



Contents

Important Safety Information	2
Front and Rear Panel Controls and Connections	3
Rack Ear Mounting	3
About Rotel	4
Getting Started	4
Features	4
Parts List	5
A Few Precautions	5
Power Capacity	5
Placement	5
Front Panel	5
FILTERING Status Indicator 1	5
LINE OK Status Indicator 2	5
WIRING OK Indicator 3	5
OVERLOAD Status Indicator 4	5
Backlit LCD Display 5	5
LINE TRIM Status Indicator 6	5
DELAYED ON Status Indicator 7	6
SWITCHED ON Status Indicator 8	6
LINE BOOST Status Indicator 9	6
On/Off Switch 10	6
SETUP Button 11	6
SELECT Button 12	6
Rear Panel	6
AC-Power Outlets 13	6
Surge Protected COAX/RF Connectors 14	6
SYSTEM GROUND Screw 15	6
CIRCUIT BREAKER 16	6
Input Power Connector 17	7
Surge Protected Telephone Jacks 18	7
DC TRIGGER Jacks 19	7
Installation	7
Placement	7
Rack Mounting	7
Making Connections	7
Power Input Connection 17	7
Turning on the RLC-1040 10	7
Component Connection 13 15	7
Setting up the RLC-1040	8
Dimmer Function	8
AVR Range Function	8
Delay Time Function	8
Beeper Function	8
Language Function	8
Status and Information Screens	9
Power Screen	9
Vout / Iout Screen	9
Vin / Freq Screen	9
Serial Number / Firmware Screen	9
Troubleshooting	9
The RLC-1040 will not turn on.	9
The overload LED is lit.	9
"Wiring OK Indicator" LED is not illuminated.	9
The Line Boost and Line Trim LEDs are flashing.	9
Technical Support	9
Limited Warranty	10
Specifications	10

About Rotel

A family whose passionate interest in music led them to manufacture high fidelity components of uncompromising quality founded Rotel over 40 years ago. Over the years that passion has remained undiminished and the goal of providing exceptional value for audiophiles and music lovers regardless of their budget, is shared by all Rotel employees.

Rotel's reputation for excellence has been earned through hundreds of good reviews and awards from the most respected reviewers in the industry, who listen to music every day. Their comments keep the company true to its goal – the pursuit of equipment that is musical, reliable and affordable.

All of us at Rotel thank you for buying this product and hope it will bring you many hours of enjoyment.

Getting Started

Thank you for purchasing the Rotel RLC-1040 Power Conditioner. When used in a high-quality music or home theater system, your Rotel power conditioner will protect your high performance audio and video components from damaging power surges, spikes and lightning. Protection is guaranteed. Isolated noise filter banks and automatic voltage regulation will eliminate power as a source of audio and video signal degradation. Phone-line surge protection jacks will stop surges traveling over phone lines.

Digital satellite system, cable modem, and CATV coaxial cable lines are equally protected. With the RLC-1040 you can enjoy your home theater experience with the peace of mind that performance is optimized and protection is guaranteed.

Features

- **Automatic Voltage Regulation (AVR)** - The RLC-1040 is unique in that it provides automatic voltage regulation, which is engaged to correct low and high voltage conditions. All equipment connected to the RLC-1040 is protected against these undesired voltage fluctuations, thus prolonging the life of the equipment. Low voltage conditions can also negatively impact video quality. Consequently this feature may help improve picture quality if power line voltage is low.
- **Surge Protection** - The RLC-1040 provides guaranteed protection against damaging surges, spikes and even lightning. It not only provides protection from surges from AC power lines, it also protects against surges from system data lines including COAX and telephone lines. With the RLC-1040 all your equipment is protected.
- **Isolated Noise Filter Banks** - The RLC-1040 eliminates electromagnetic and radio frequency interference (EMI/RFI) that, when severe enough, can negatively impact sound and video quality. Each filter bank is electrically isolated from each other to prevent noise generated by one component from polluting other connected components. This noise filtering lets your system perform to its maximum capabilities.
- **DC Trigger** - When connected to a component that provides a DC trigger, that component controls the turning on and off of the 'delayed' outlet. The RLC-1040 also allows that DC signal to pass through to another connected component.
- **Sequenced Turn ON/OFF** - This feature ensures that connected equipment is powered-up/down in the proper order and with the right amount of delay between the stages. It allows the user to program a delay into the sequence of from 0 to 12 seconds. This delay eliminates transient noises that can affect connected components.

- **LCD Display** - The LCD displays shows important information including voltage in (line voltage) and voltage out, frequency, and load. Additionally, the display is used to program features such as the delay or dimmer settings. All information in the display can be shown in English, French, or Spanish.
- **Overload Indicator** - The Overload Indicator lights up if the power requirements of the equipment connected to the RLC-1040 is too great.
- **Removable Support Feet** - Feet can be unscrewed and removed to save space when the RLC-1040 is rack mounted.

Parts List

The RLC-1040 Power Conditioner includes the parts listed below. If any items are missing, please contact your authorized Rotel dealer.

- 1 Power Conditioner
- 1 Input Power Cord
- 2 Coaxial cables
- 1 Telephone cable
- 2 Rack-mount ears
- 1 User manual
- 1 Equipment Protection Policy Sheet
- 1 Warranty Registration Card

A Few Precautions

Please read this manual carefully. In addition to installation and operating instructions, it also provides important safety information. It is very important that you have read and understand all of the safety information located at the front of this manual. If you have any questions about the safety information, or are concerned that your home may not be properly wired for this equipment, please contact a qualified and licensed electrician. Please contact your authorized Rotel dealer for answers to any questions you might have. In addition, all of us at Rotel welcome your questions and comments.

Save the RLC-1040 shipping carton and packing material for future use. Shipping or moving the RLC-1040 in anything other than the original packing material may result in severe damage.

Be sure to keep the original sales receipt. It is your best record of the date of purchase, which you will need in the event warranty service is ever required.

Power Capacity

The RLC-1040 Power Conditioner is rated for 1440 watts (continuous). It has been designed, however, to support current surges that are much higher than its continuous power rating. The RLC-1040 is capable of supplying the dynamic peak current draws required by any component designed to work on a 15 amp circuit. Despite their nameplate power ratings, high performance A/V equipment draw much less than their listed power ratings. The RLC-1040 can inform the user how much of the power capacity is available as equipment is connected to the unit.

Placement

The RLC-1040 weighs approximately 20 pounds. Keep this in mind when selecting an installation location. Make sure that the shelf or cabinet can support its weight.

Proper installation of your new Power Conditioner is important. If the unit is being mounted in a standard 19" rack, see the *Rack Mounting* section of this manual.

Front Panel

See the illustration on page 3.

FILTERING Status Indicator 1

When lit, this notifies the user that the Electromagnetic Interference/Radio Frequency Interference (EMI/RFI) noise reduction circuit is active.

LINE OK Status Indicator 2

When lit, this indicates that the voltage from the wall outlet is within acceptable range. If this indicator is not lit, the Automatic Voltage Regulation circuit is active and is correcting high or low voltage levels to maintain safe voltage conditions for the connected components.

WIRING OK Indicator 3

When this indicator is lit, the wall outlet the RLC-1040 is plugged into is properly wired. If it is not lit one of three wiring problems exists in the building wiring circuit: missing ground, overloaded neutral, or reversed polarity. An electrician should be consulted to resolve the problem.

OVERLOAD Status Indicator 4

When lit this indicates that the unit is overloaded; unplug some of the equipment connected to the unit until the indicator is no longer lit.

Backlit LCD Display 5

Provides status information about the RLC-1040 and the equipment plugged into it. The information in the Display can be shown in English, French, or Spanish. The brightness of the display and other front panel indicators can also be dimmed or even turned off. See the information in the *Dimmer Menu* section of this manual.

LINE TRIM Status Indicator 6

When lit, this indicates that the Automatic Voltage Regulation (AVR) system is engaged to correct high input voltage conditions.

DELAYED ON Status Indicator 7

When lit, power is being supplied to the rear-panel outlets marked **Delayed** (the **Subwoofer** and **Amplifier** outlets).

SWITCHED ON Status Indicator 8

When lit, power is being supplied to rear panel outlets except those marked **Delayed** (the **Subwoofer** and **Amplifier** outlets).

LINE BOOST Status Indicator 9

When lit, Automatic Voltage Regulation (AVR) is engaged to correct low input voltage conditions.

On/Off Switch 10

Controls power to all 12 outlets. We recommend the unit be left "on" at all times. Control power to your system and components using their own controls as you normally would.

SETUP Button 11

This button is used to advance the display through the various user-selectable set up functions such as: **Dimmer**, **AVR Range**, **Delay Time**, **Beeper**, or **Language**.

SELECT Button 12

This button is used to select the setting you want to use in the various setup functions such as: **Dimmer**, **AVR Range**, **Delay Time**, **Beeper**, or **Language**. It is also used to access the Status and Information Screens.

Rear Panel

See the illustration on page 3.

AC-Power Outlets 13

The RLC-1040 Power Conditioner provides for connection of up to twelve components. The outlets are arranged according to the type of filtering protection provided for a given component type. These Isolated Noise Filter Banks (INFBs) eliminate EMI and RFI that can negatively impact sound and video quality. You should plug your components into the recommended outlets to achieve optimum protection for your equipment.

Note: All outlets provide surge protection, voltage protection and noise filtering.

DIGITAL FILTER Outlets eliminate noise interference for Digital Components (CD, DVD, DVR, CATV/SAT, Flat Panel Monitors, Hi-Def tuners, etc.).

Note: Any digital device can be plugged into the **DIGITAL FILTER** outlets, any video device can be plugged into either of the **VIDEO FILTER** outlets, etc. For example, if you have a cable box and a satellite receiver, but no monitor, you can plug the cable box into the "**CATV/SAT**" outlet, and the satellite receiver into the "**Monitor**" outlet.

VIDEO FILTER Outlets provide filtering for video devices (**TV** and **VCR**).

ANALOG FILTER Outlets provide filtering for analog-based equipment (**TUNER/AUX** and **Preamp/Receiver**).

HIGH CURRENT FILTER Outlets provide filtering for high-current devices (**SUBWOOFER** and **AMPLIFIER**).

Surge Protected COAX/RF Connectors 14

The surge protection feature prevents surges traveling over coaxial data lines from damaging the system. Connect the coaxial cable from the CATV or Cable Modem provider to the connector marked "**IN**", connect other cables from the connectors marked "**OUT**" to the device(s) being protected (CATV box or Cable Modem). The RLC-1040 has an internal cable splitter so a single cable input can provide signals to two components.

The RLC-1040 also provides the same surge protection for your satellite or RF antenna system. Connect the coaxial cable from the satellite or antenna system to the connector marked "**IN**", connect another coaxial cable from the connector marked "**OUT**" to the device being protected.

SYSTEM GROUND Screw 15

Provides for the connection of grounding wires from all of your equipment. Grounding all your equipment to a single terminal prevents "ground loop" problems that can cause a "hum" to be heard through the speakers.

CIRCUIT BREAKER 16

This "press-to-reset" Circuit Breaker may be "tripped" when there is a power line surge or when the unit is overloaded. If such conditions occur the circuit breaker button pops out and shuts down output power to the outlets. To reset the Circuit Breaker simply push the button in.

Caution: When resetting the Circuit Breaker, push the button in quickly and release it. **Do not hold the Circuit Breaker button in.** Doing so may result in equipment damage.

Input Power Connector ¹⁷

Provides for connection of the supplied AC power cord to the RLC-1040. Connect the other end to a normal AC power outlet (15 Amp, 120 VAC, 50-60 Hz).

Surge Protected Telephone Jacks (TEL/DVR/SAT/DSL) ¹⁸

The RLC-1040 has a telephone line splitter with surge protection for components connected via telephone line. Connect the supplied RJ11 telephone cable from the wall jack (source) to the telephone line connector marked "IN". Connect the telephone cables from the connectors marked "OUT A" and "OUT B" to the equipment to be protected (Telephone, DVR, DSS or DSL).

DC TRIGGER Jacks ¹⁹

When the DC Trigger "IN" jack is connected to a component that provides a DC trigger, that component controls the turn on/off of the "delayed" outlet banks. The DC Trigger "OUT" jack provides a DC signal output that can be connected to another component.

Caution: When making connections to the DC Trigger jacks, connect the source of the DC Trigger to the IN jack. The OUT jack should be used only as a pass-through. The DC Trigger signal can be short circuited if the input and output cables are reversed.

The maximum input voltage for the DC Trigger is 30VDC. Do not apply an AC voltage to the DC Trigger jacks. **Failure to comply with this statement may result in equipment damage.**

Installation

Placement

Place the unit on a solid, flat surface that is capable of supporting at least 20 lbs.

Note: Avoid placing other components directly on top of or behind the unit. Leave at least one inch of space on all sides to allow for proper air ventilation.

Rack Mounting

Caution: Be sure to support the RLC-1040 until it is firmly mounted in the equipment rack. This process may require two people.

The RLC-1040 can be mounted in a standard 19" rack. Rack-mounting ears and screws to attach them to the RLC-1040 are provided.

1. Install the rack-mount ears. See the illustration on page 3. The holes in the rack ears for the mounting screws are slotted. This allows some front-to-back position adjustment when the unit is mounted in the rack. Note that even with the rack ears mounted as far back as they can go, the front of the RLC-1040 will protrude about 1" from the front of the rack.
2. Position the RLC-1040 in the equipment rack so the rack mount ears are against the rack side rails.
3. Align the holes in the rack ears with the holes in the rack side rails. Install the rack mounting screws.

Making Connections

Power Input Connection ¹⁷

Connect the AC Power Cord to the rear panel power INPUT ¹⁷. Plug the other end into a wall power outlet. Whenever the RLC-1040 is plugged into an AC power source, its microprocessor is active and the unit monitors the input power. When the unit is first plugged in, it will be in a "STANDBY" state – the front panel display and indicators are not illuminated and the rear panel power outlets are off.

Turning on the RLC-1040 ¹⁰

To turn on the RLC-1040 push the front panel Power Switch ¹⁰ in all the way then release the switch. Once power is applied to the unit, the LCD shows the Voltage In/Voltage Out display.

Vin	=	120 Vac
Vout	=	120 Vac

Note: In the display shown above, the input and output voltages are the same. The actual voltage may vary depending on the power supplied by the local utility. In this case, both voltages are within acceptable ranges so the RLC-1040 does not have to "clean up" the output voltage.

Normally once the RLC-1040 is turned on there is no reason to "turn it off", that is return it to STANDBY mode. It can remain connected and active at all times.

Recovery From a Power Failure

If there is a power failure while the RLC-1040 is on, the unit will automatically turn itself back on when power is restored. If it is in "STANDBY" when a power failure occurs, it will remain in "STANDBY" when power is restored.

Component Connection ¹³ ¹⁵

The RLC-1040 has four groups of power outlets ¹³. Each group has specialized filtering and surge protection that are specifically designed for certain types of components. It is recommended that the A/V components be connected to the power outlets designed for that type of unit. For more information see the AC Power Outlets section of this manual.

Connect the ground connector of each component in the system to the **SYSTEM GROUND** terminal ¹⁵ on the RLC-1040. This will help prevent any "ground loop" problems which can cause "hum" to be heard through the speakers.

Setting Up the RLC-1040

Use the front panel **Setup** and **Select** buttons **11** **12** to configure the various features and functions of the RLC-1040

Dimmer Function

This function sets the brightness level of the front panel LCD Display and the LED indicators. Press the **Setup** button once to access the Dimmer Function display.

```
SET DIMMER      ?
<Others        Yes>
```

Once the display is shown, repeatedly pressing the **Select** button allows you to set the brightness of the display. The brightness level can be set to: Off, Dim 3, Dim 2, Dim 1, Normal, Bright 1, Bright 2 and Bright 3. Once the Display brightness is at the desired value, press the **Setup** button to store the setting.

AVR Range Function

Allows you to adjust the AVR (Automatic Voltage Regulation) system of the RLC-1040. It can be set to: Narrow, Normal or Wide.

Narrow AVR Range – Takes input voltages from 100-132 VAC and regulates it to 120 VAC \pm 5%. Use this setting if the power input voltage is fairly stable.

Normal AVR Range – Takes input voltages from 97-139 VAC and regulates it to 120 VAC \pm 10%. Use this setting if the power input voltage has moderate variations

Wide AVR Range – Takes input voltages from 92-145 VAC and regulates it to 120 VAC \pm 15%. Use this setting if the power input voltage has large variations

The “Vin” line of the “Voltage Input/Output” display (see preceding page) will show you how much the input voltage varies.

Press the **Setup** button until the “SET AVR RANGE ?” menu is displayed.

```
SET AVR RANGE   ?
<Others        Yes>
```

Then press the **Select** button to change the AVR Range setting. After you have selected the AVR Range setting you want, press the **Setup** button to accept the setting.

Delay Time Function

This function sets the amount of time that elapses before the RLC-1040 provides power to the rear panel outlets marked **Delayed**. The same amount of time will elapse before the RLC-1040 removes power to the Delayed outlets.

Press the **Setup** button until the “SET DELAY TIME ?” menu is displayed.

```
SET DELAY TIME  ?
<Others        Yes>
```

Then press the **Select** button to select the amount of delay - (from 0 to 12 seconds). Press the **Setup** button to store the setting.

Beeper Function

This function turns the beeper sound on or off. When the beeper sound is on, each press of the **Setup** or **Select** button will be accompanied by a beep.

Repeatedly press the **Setup** button to advance to the “SET BEEPER ?” menu.

```
SET BEEPER      ?
<Others        Yes>
```

Press the **Select** button to toggle the beeper between **ON** and **MUTE**. Press the **Setup** button to store the setting.

Language Function

This lets you select the language for the LCD display. Repeatedly press the **Setup** button to advance to the “SET LANGUAGE” display.

```
SET LANGUAGE    ?
<Others        Yes>
```

Press the **Select** button to select the language – English, French or Spanish.

```
LANGUAGE =
<OK ENGLISH    +->
```

```
LANGUAGE =
<OK FRANÇAIS   +->
```

```
LANGUAGE =
<OK ESPAÑOL    +->
```

Press the **Setup** button to store the setting.

Status and Information Screens

The RLC-1040 LCD display can show four Status and Information screens – Power, Voltage/Current Output, Voltage/Frequency Input and Serial Number/Firmware Version. These screens are accessed by pressing the **Select** button (without first pressing the **Setup** button).

Power Screen

The Power display shows the amount of power being used by the components connected to the RLC-1040 and how much of its power capacity (as a percentage) is being used.

```
Power   =      0 VA
                0%
```

Vout / Iout Screen

Pressing the **Select** button again will display a screen that shows the voltage output of the RLC-1040 and the amount of current being used by the components attached to the unit. **Note:** "Iout = X.X A" is the current output.

```
Vout    =    120 Vac
Iout    =     0.0 A
```

Vin / Freq Screen

Pressing the **Select** button again will display a screen that shows the input voltage and frequency.

```
Vin     =    120 Vac
Freq    =     60 Hz
```

Serial Number / Firmware Screen

Pressing the **Select** button again will display a screen that shows the Serial Number of the unit and the current Firmware Version. This information may be required if you need to contact Technical Support or if you need to make any Warranty or Equipment Protection Policy claims.

```
SN:PH0543138046
Version: 0.1E.D
```

Troubleshooting

This section describes possible causes and solutions.

The RLC-1040 will not turn on.

Probable Cause: Input power cord is not connected properly.

Solution: Ensure supplied power cord is connected firmly at both ends.

Probable Cause: No power or insufficient power available at the wall outlet.

Solution: Ensure the wall outlet has good power by using a voltmeter, or by plugging in another device.

Note: The unit will not turn on and accept incoming utility power if the power is out of range.

Probable Cause: Circuit Breaker has tripped.

Solution: Check both home and unit circuit breakers. If the circuit breaker located on the rear of the RLC-1040 has tripped, the center post will extend outwards. Push it back in to reset it. If the trip occurs again, reduce the amount of equipment plugged into the unit and try again. While the unit's breaker is rated for 15 Amps, National Electric Code (NEC) dictates that any particular home circuit should not be loaded more than 80% of its rating.

The overload LED is lit.

Probable Cause: Unit was overloaded.

Solution: There is an "Overload" LED on the front display panel which will light 'red' if the unit is overloaded. If the unit is overloaded or nearly overloaded (>95%), reduce the load by unplugging one or more components.

"Wiring OK Indicator" LED is not illuminated.

Probable Cause: There are 3 reasons why this LED would not be illuminated:

1. Reversed polarity exists at the wall outlet.
2. Neutral wire is overloaded.
3. Earth ground is missing at the wall outlet.

Solution: Operating the unit under such conditions may impact its surge protection performance. Contact an electrician to have them inspect the building or home wiring to fix the problem.

Probable Cause: Unit is on but LEDs are turned off.

Solution: Push the **Setup** button to access the "SET DIMMER" screen. Then press the Select button to turn on the LEDs and set the brightness level you want.

The Line Boost and Line Trim LEDs are flashing.

Probable Cause: One of the relays (electrically controlled switches) in the RLC-1040 is stuck.

Solution: Disconnect the power input cord and then plug it in again. If the problem remains, contact APC.

Technical Support

If the problem remains unsolved contact Rotel Technical Support at 800-370-3741.

Limited Warranty

Rotel warrants this product to be free from defects in materials and workmanship for a period of five years from the date of purchase. Its obligation under this warranty is limited to repairing or replacing, at its own sole option, any such defective products. To obtain service under warranty contact your authorized Rotel dealer or Rotel Technical Support at 800-370-3741.

If a product has to be returned for service you must include with the following:

- Prepaid transportation charges
- Brief description of the problem encountered
- Proof of date and place of purchase

This warranty does not apply to equipment that has been damaged by accident, negligence, or misapplication or has been altered or modified in any way. This warranty applies only to the original purchaser who must have properly registered the product within 10 days of purchase.

EXCEPT AS PROVIDED HEREIN, ROTEL MAKES NO WARRANTIES, EXPRESSED OR IMPLIED, INCLUDING WARRANTIES OF MERCHANTABILITY AND FITNESS FOR A PARTICULAR PURPOSE. Some states do not permit limitation or exclusion of implied warranties; therefore, the aforesaid limitation(s) or exclusion(s) may not apply to the purchaser.

EXCEPT AS PROVIDED ABOVE, IN NO EVENT WILL ROTEL BE LIABLE FOR DIRECT, INDIRECT, SPECIAL, INCIDENTAL, OR CONSEQUENTIAL DAMAGES ARISING OUT OF THE USE OF THIS PRODUCT, EVEN IF ADVISED OF THE POSSIBILITY OF SUCH DAMAGE. Specifically Rotel is not liable for any costs, such as lost profits or revenue, loss of equipment, loss of use of equipment, loss of software, loss of data, costs of substitutes, claims by third parties, or otherwise.

Specifications

INPUT

Input Voltage Range for Operation	92V - 145V
Nominal Voltage	120 Vac
Allowable Input Frequency for Operation	47 - 63 Hz
Rated Input Current	12 Amps
Input Circuit Breaker Rating	15 Amps

OUTPUT

Number of Outlets	12 (all outlets are surge protected, conditioned and regulated)
Output Regulation	±5% for Narrow Range AVR ±10% for Normal Range AVR ±15% for Wide Range AVR
Outlet type	NEMA 5-15R
Rated VA Capacity	1440VA
Rated Watt Capacity (continuous)	1440 Watts
Rated Output Current	12 Amps

SURGE PROTECTION

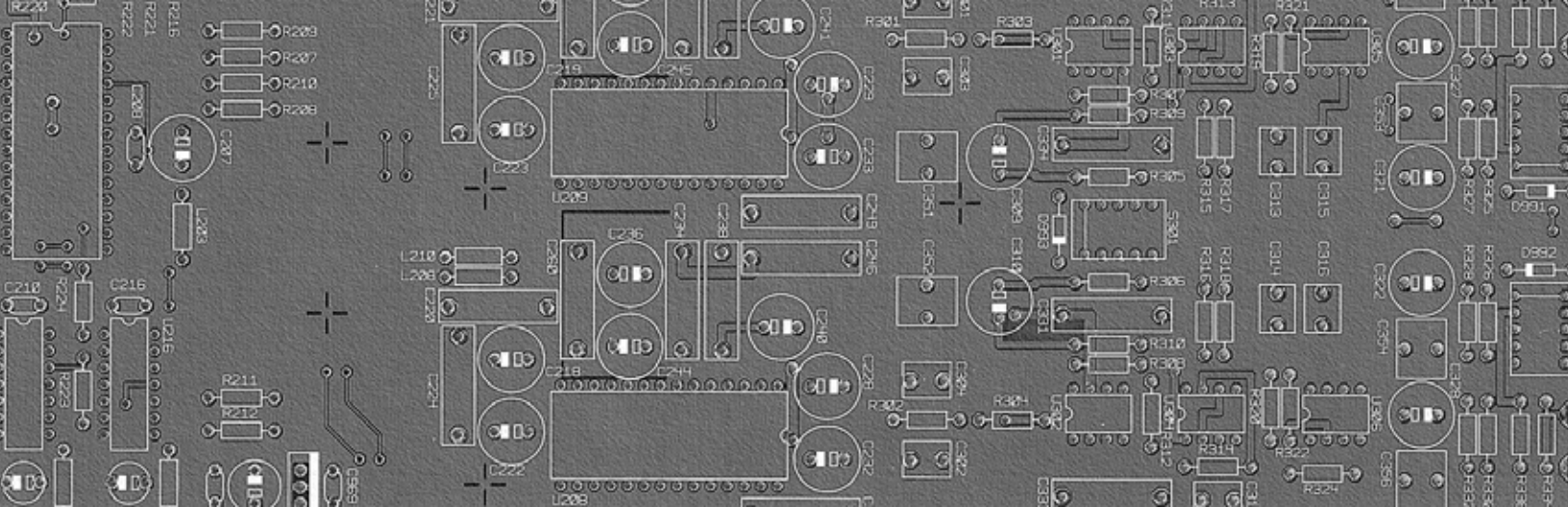
Let-Through Voltage Rating	<40 Volts
Peak Surge Current (NM + CM)	250KA
Data Line Protection Jacks (splitter)	Single-line 2-wire phoneline protection for phone, modem, or fax. 5MHz-1GHz Two pairs (one with splitter)

Coax

MISCELLANEOUS

EMI/RFI Attenuation	40-100dB at 100KHz-30MHz
Total Surge Joules	5200 Joules
DC Trigger	Two 3.5mm mini-jack plugs (5-30VDC)
Physical Dimensions (H x W x D)	3.75 x 17 x 10.1"
Unpackaged Weight	20 lbs.
Shipping Weight	25.4 lbs.
Safety Agency Approvals	UL1449, cUL, FCC Part 68 and Part 15 Class B, NOM

All specifications are accurate at the time of printing.
Rotel reserves the right to make improvements without notice.



The Rotel Co. Ltd.
10-10 Shinsen-Cho
Shibuya-Ku
Tokyo 150-0045
Japan
Phone: +81 3-5458-5325
Fax: +81 3-5458-5310

Rotel of America
54 Concord Street
North Reading, MA 01864-2699
USA
Phone: +1 978-664-3820
Fax: +1 978-664-4109

Rotel Europe
Dale Road
Worthing, West Sussex BN11 2BH
England
Phone: + 44 (0)1903 221 761
Fax: +44 (0)1903 221 525

Rotel Deutschland
Vertrieb: B&W Group Germany GmbH
Kleine Heide 12
D-33790 Halle/Westf., Deutschland
Tel.: 05201 / 87170
Fax: 05201 / 73370
E-Mail: info@bwgroup.de
www.rotel-hifi.de

www.rotel.com