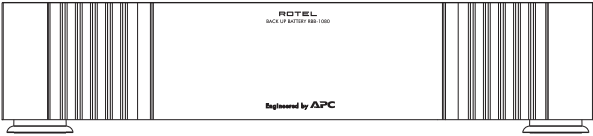


# Owner's Manual

## RBB-1080 Back Up Battery



## Introduction

Thank you for purchasing the Rotel RBB-1080 Back Up Battery. It is designed to be used in conjunction with the RLC-1080 Power Conditioner with Battery Backup. One or two RBB-1080 may be added to increase the amount of time the RLC-1080 can run on battery power by 200%.

Please register your product online at [www.rotel.com](http://www.rotel.com). *Be sure to keep your purchase receipt as proof of the original date of purchase.*

### Notes on Battery Replacement

The batteries in the RBB-1080 are not user serviceable or replaceable. Contact your authorized Rotel dealer or Rotel Technical Support at 800-370-3741 to purchase another RBB-1080 Extended Battery Pack.

By default RLC-1080 performs an automatic Self-Test every two weeks. If the test fails, a Replace Battery message will appear on the front panel display of the RLC-1080. To determine if it is the internal RLC-1080 battery pack or the external RBB-1080 Extended Battery Pack that needs replacing, disconnect the RBB-1080 and initiate a new Self-Test. If the test passes, the RBB-1080 likely needs to be replaced. If in warranty, contact Rotel Technical Support (see below). If the test fails again, then the RLC-1080 internal battery pack likely needs to be replaced. To initiate a Self-Test manually, press the **Setup** button on the front panel until you reach the "Initiate Self-Test" screen. Then use the "up" or "down" arrows to initiate the test.

## Safety Precautions

Be sure you have read and understand all of the safety information in the front of the RLC-1080 User's Manual. If you have any questions about the safety information, or are concerned that your home may not be properly wired for this equipment, please contact Rotel Technical Support at 800-370-3741 or a qualified and licensed electrician.

Also note, this unit weighs 55 pounds. Two-person lift is required to install this device. Failure to comply may result in personal injury and/or equipment damage. Further, ensure the unit is placed on a surface able to hold more than 55 pounds. If rack-mounting the unit, refer to the instructions provided with the mounting brackets and slide rails.

Do not install this device during a lightning storm. Do not dispose of this device by placing it in a fire. Please contact Rotel Technical Support at 800-370-3741 for information on the proper recycling and disposal of lead-acid batteries.

## Placement

**Caution:** *The RBB-1080 weighs approximately 55 pounds. Two-people should work together when the unit is being moved. Lift the RBB-1080 carefully by firmly grasping both sides of unit in the middle.*

**Failure to use caution and proper procedures when lifting or moving the unit may result in personal injury and/or equipment damage.**

Place unit on a solid, flat surface that is capable of supporting at least 55 lbs.

**Note:** Avoid placing other components directly on top of or behind the unit. Leave at least one inch of space on all sides to allow for proper air ventilation.

### Rack Mounting

The RBB-1080 can be mounted in a standard 19" rack. Rack-mounting hardware is provided.

1. Install the rack-mount rails. (See the installation sheet located in the box containing the rack-mount rails.)
2. Install the rail cleats. (See the installation sheet packaged with the cleats.)
3. Install rack-mount ears. (OPTIONAL — See the installation sheet packaged with these parts.) **Note:** Rack-mount ears are not required. The only function they serve is to fasten the unit to the front of the rack and prevent front-to-rear movement.

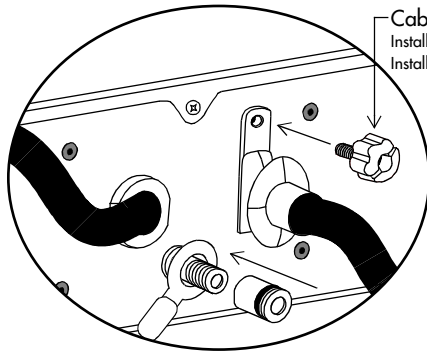
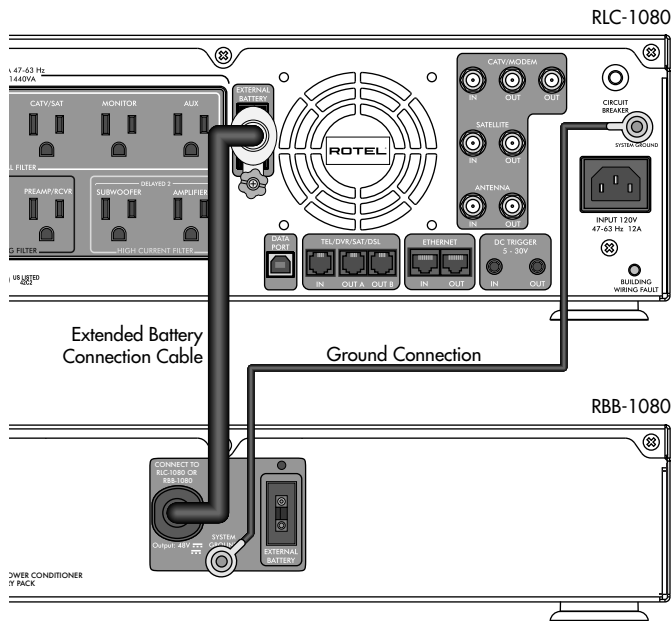
**Caution:** *Rack-mount ears should **NEVER** be used alone to support the unit. Rack-mount rails must always be used to support the unit's weight when rack-mounting.*

4. Slide the unit into the rack so that the cleats mounted on the side of the unit fit within the track of the rack-mount rails. If the ears were mounted, screw the mounted ears into the rack to lock unit into position. (See the installation sheet.)

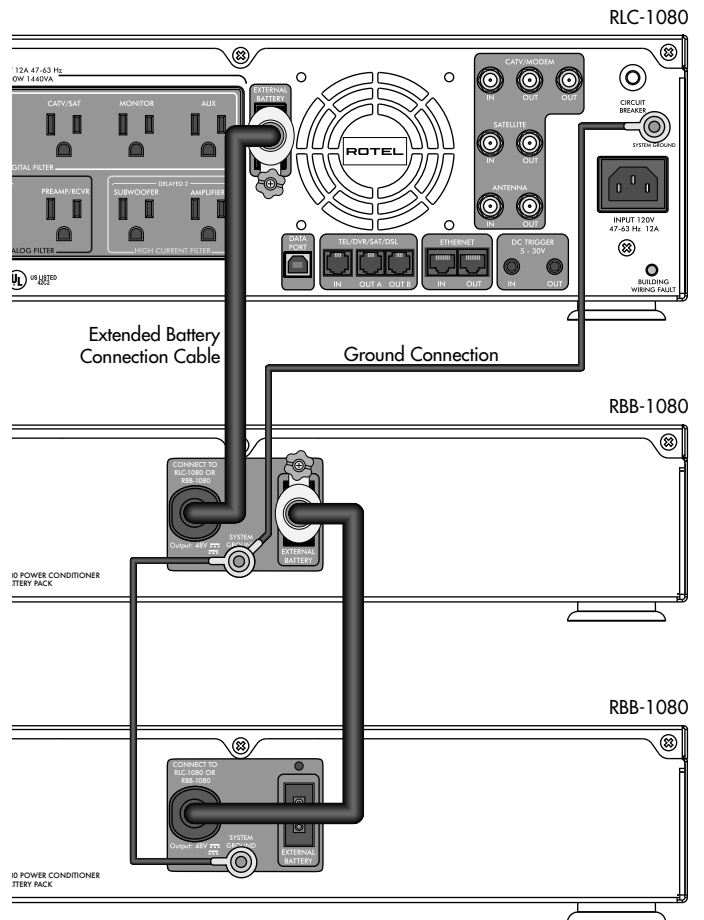
## Limited Warranty

The standard warranty is two (2) years from the date of purchase. *Be sure to keep your purchase receipt as proof of the original date of purchase.* Rotel's standard procedure is to replace the original unit with a factory reconditioned unit. Customers who must have the original unit back due to the assignment of asset tags and set depreciation schedules must declare such a need at first contact with Rotel Technical Support. Rotel will ship the replacement unit once the defective unit has been received by the repair department, or cross-ship upon the receipt of a valid credit card number. The customer pays for shipping the unit to Rotel. Rotel pays ground freight transportation costs to ship the replacement unit to the customer.

### RLC-1080 with Single RBB-1080 Extended Battery



### RLC-1080 with Dual RBB-1080 Extended Batteries



## Specifications

#### Nominal Voltage

48 Vdc

#### Battery Quantity/Type

Eight 12-Volt, 9-Amp-Hour, Sealed Lead -Acid, Maintenance-Free Batteries. Not User-Serviceable

#### Battery Life

2-5 Years (Depending on use, environment, and temperature)

#### Battery Runtime

1 RBB-1080 + RLC-1080 batteries:

Full load: 32 minutes. Half load: 81 minutes

2 RBB-1080 + RLC-1080 batteries:

Full load: 62 minutes. Half load: 159 minutes

Note: Actual runtimes are determined by load, battery charge level, battery health and quantity of the batteries.

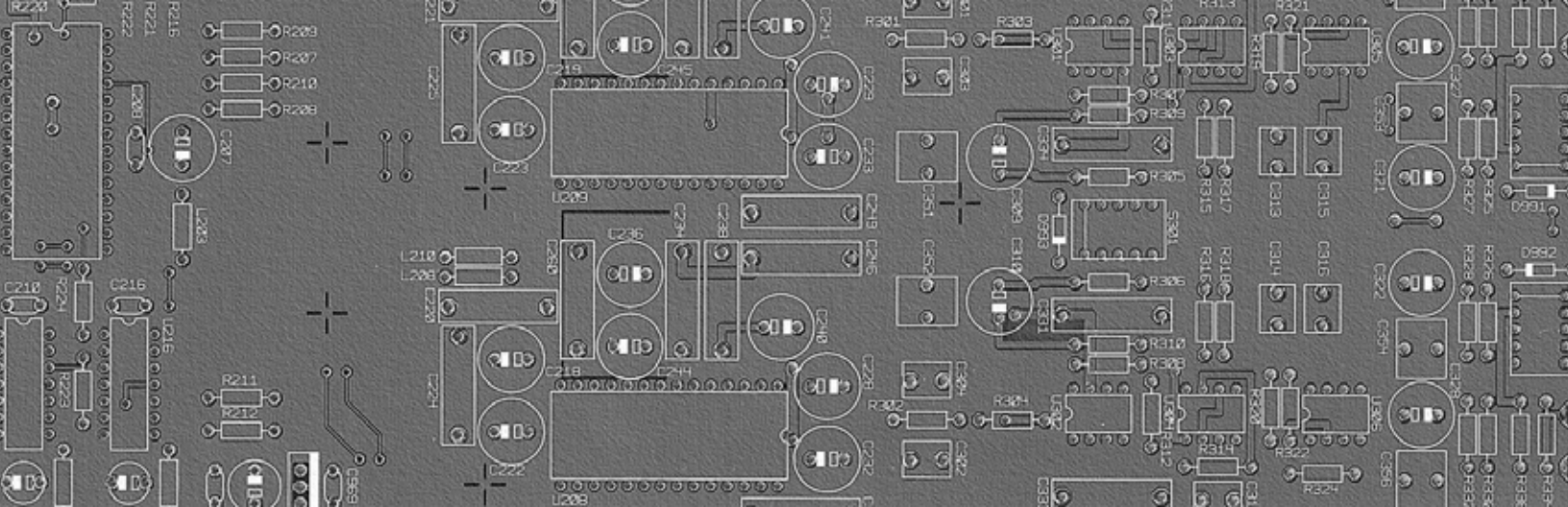
Additional runtime can be achieved by adding a second RBB-1080 unit to your system.

#### Unit Dimensions

17 x 3.5 x 18.55 in. (43.2 x 8.9 x 47.1 cm)

#### Unit Weight

55 lbs.



**ROTEL**

The Rotel Co. Ltd.  
10-10 Shinsen-Cho  
Shibuya-Ku  
Tokyo 150-0045  
Japan  
Phone: +81 3-5458-5325  
Fax: +81 3-5458-5310

Rotel of America  
54 Concord Street  
North Reading, MA 01864-2699  
USA  
Phone: +1 978-664-3820  
Fax: +1 978-664-4109

Rotel Europe  
Dale Road  
Worthing, West Sussex BN11 2BH  
England  
Phone: +44 (0)1903 221 600  
Fax: +44 (0)1903 221 525

Rotel Deutschland  
Kleine Heide 12  
D-33790 Halle/Westf.  
Germany  
Phone: +49 05201-87170  
Fax: +49 05201-73370

[www.rotel.com](http://www.rotel.com)