

ROTEL *hifi*

STEREO POWER AMPLIFIER

RB-870BX

owners manual

使用説明書

ENGLISH	2
DEUTSCH	5
FRANÇAIS	8
日本語	11

WARNING
TO PREVENT FIRE OR SHOCK HAZARD,
DO NOT EXPOSE THIS APPLIANCE
TO RAIN OR MOISTURE

Write your SERIAL NUMBER here.
The number is located near the name
plate on the rear panel.

SAFETY INSTRUCTIONS



• Explanation of Graphical Symbols



The lightning flash with arrowhead symbol, within an equilateral triangle, is intended to alert you to the presence of uninsulated "dangerous voltage" within the product's enclosure that may be of sufficient magnitude to constitute a risk of electric shock to persons.



The exclamation point within an equilateral triangle is intended to alert you to the presence of important operating and maintenance (servicing) instructions in the literature accompanying the appliance.

EXCLUSIVE NOTE FOR U.K.

If your unit comes with a 2-core cable without a plug, make certain live and neutral leads are connected to the proper terminals. Check that the terminals are screwed down firmly and no loose strands of wire are present.

IMPORTANT: The wires in this mains lead are coloured in accordance with the following code:

BLUE: NEUTRAL

BROWN: LIVE

As the colours of the wires in the mains lead of this apparatus may not correspond with the coloured markings identifying the terminals in your plug proceed as follows. The wire which is coloured BLUE must be connected to the terminal which is marked with the letter N or coloured BLUE or BLACK. The wire which is coloured BROWN must be connected to the terminal which is marked with the letter L or colour BROWN or RED.

1. Read Instructions— All the safety and operating instructions should be read before the appliance is operated.
2. Retain Instructions — The safety and operating instructions should be retained for future reference.
3. Read Warnings — All warnings on the appliance and in the operating instructions should be adhered to.
4. Follow Instructions — All operating and other instructions should be followed.
5. Water and Moisture — The appliance should not be used near water — for example, near a bathtub, washbowl, kitchen sink, laundry tub, in a wet basement, or near a swimming pool, etc.
6. Carts and Stands — The appliance should be used only with a cart or stand that is recommended by the manufacturer.
7. Wall or Ceiling Mounting — The appliance should be mounted to a wall or ceiling only as recommended by the manufacturer.
8. Ventilation — The appliance should be situated so that its location or position does not interfere with its proper ventilation. For example, the appliance should not be situated on a bed, sofa, rug, or similar surface that may block the ventilation openings; or placed in a built-in installation, such as a bookcase or cabinet that may impede the flow of air through the ventilation openings.
9. Heat — The appliance should be situated away from heat sources such as radiators, stoves, or other appliances that produce heat.
10. Power Sources — The appliance should be connected to a power supply only of the type described in the operating instructions or as marked on the appliance.
11. Power-Cord Protection — Power-supply cords should be routed so that they are not likely to be walked on or pinched by items placed upon or against them, paying particular attention to cords at plugs, convenience receptacles, and the point where they exit from the appliance.
12. Cleaning — The appliance should be cleaned only as recommended by the manufacturer.
13. Nonuse Periods — The power cord of the appliance should be unplugged from the outlet when left unused for a long period of time.
14. Object and Liquid Entry — Care should be taken so that objects do not fall into and liquids not spilled into the inside of the appliance.
15. Damage Requiring Service — The appliance should be serviced by qualified service personnel when:
 - A. The power-supply cord or the plug has been damaged; or
 - B. Objects have fallen, or liquid has been spilled into the appliance; or
 - C. The appliance has been exposed to rain; or
 - D. The appliance does not appear to operate normally or exhibits a marked change in performance; or
 - E. The appliance has been dropped, or the cabinet damaged.
16. Servicing — The user should not attempt to service the appliance beyond those means described in the operating instructions. All other servicing should be referred to qualified service personnel.
17. Grounding or Polarization — The precautions that should be taken so that the grounding or polarization means of an appliance is not defeated.

ENGLISH

STEREO POWER AMPLIFIER RB-870BX

INTRODUCTION

We at Rotel want to thank you for purchasing our audio product.

Rotel audio products are designed to use the latest electronic technology, and they incorporate our long experience as a specialist manufacturer of audio equipment. We are confident that you will find satisfaction in the high quality sound and top performance, and that you will find pleasure in the functional beauty achieved through human-engineering concept. Before starting operation, please read this instruction manual thoroughly and acquaint yourself with the proper mode of using the unit and all its connections.

We hope you will enjoy top-notch performance for many years to come.

BEFORE ENJOYMENT/POWER SUPPLY

Follow the instructions below for maximum safety:

1. Use a wall outlet for power supply

Be sure to connect the AC line cord to a house-hold wall outlet. Be certain that the outlet voltage matches the electrical rating of the unit, found on the rear panel name plate.

2. Connecting and removing AC cord

Be sure to connect or disconnect the AC line cord only after turning off the power switch to prevent possible shock noise or damage to the speakers.

3. Ventilate the unit well

Never block any ventilation holes at the top and bottom of the unit. Be sure also to provide ample ventilation space around the unit. Poor ventilation may result in damage due to excessive heat.

4. Do not open the cabinet

In order to avoid electric shock or damage to the component, never open the cabinet. If a foreign object falls inside the unit by mistake, turn the power off, disconnect the wall plug, and consult a qualified electrician or your dealer.

5. Installation

Be sure to place the unit in a level and flat place where it is free from humidity, vibration, high temperature and not exposed to direct sunlight.

Be careful not to place the unit in a highly enclosed place such as near a wall or on a bookshelf. A poor ventilation will cause undesirable effects to the unit.

6. Moving the unit

When transporting, remove the AC cord from the wall outlet and all other connected cords on the rear panel to prevent wire breakage and short circuits.

7. If the unit gets wet

If the unit should get wet, immediately disconnect the AC cord, and consult your dealer or a qualified electrician.

8. Cleaning and maintenance

Do not use chemicals such as benzene or thinners on the front panel. Always use a soft, dry cloth to clean the unit.

9. Owner's manual

Keep the owner's manual near the unit, and record the serial number (found on the rear panel) on the cover.

ON SPEAKERS

Use the speaker system with an impedance of 4-16 ohms. The speaker impedance is indicated on the speaker's inscription plate or in the instruction manual of the speaker system.

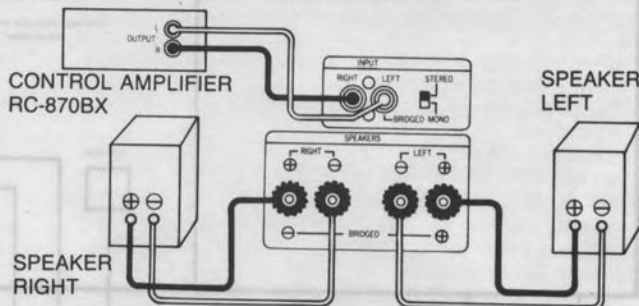
SPEAKERS AND PREAMPLIFIER CONNECTION

This unit is designed to be capable of bridge connection. Connections and the switch setting on the rear panel when

this unit is used as a monaural amplifier by making a bridge connection differ from those when this unit is used as a normal stereo power amplifier. Select the connections and switch setting according to your use of this unit.

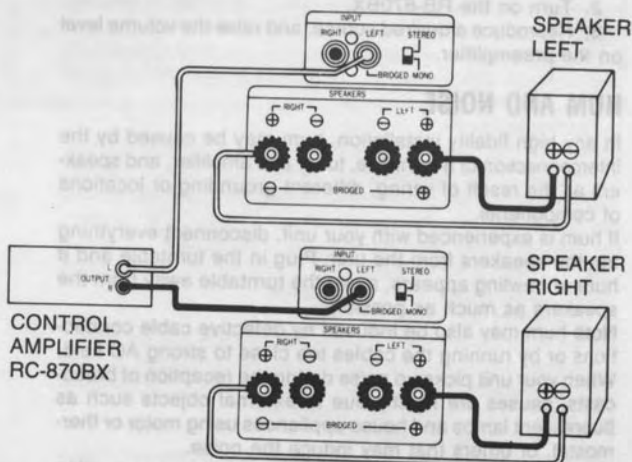
A. TO USE THIS UNIT AS A NORMAL STEREO POWER AMPLIFIER

1. Set the STEREO/BRIDGED MONO selector to STEREO.
2. Connect the speaker cord of the right speaker to the RIGHT terminals and the cord of the left speaker to the LEFT terminals of SPEAKERS terminals. Note the + - connection (+ lead to + terminal and - lead to - terminal).
3. Using two cables with phono connectors, connect the OUTPUT L jack of the preamplifier to the INPUT LEFT jack of this unit and the OUTPUT R jack of the preamplifier to the INPUT RIGHT jack of this unit.



B. TO USE THIS UNIT AS A MONAURAL AMPLIFIER BY MAKING A BRIDGE CONNECTION

1. Set the STEREO/BRIDGED MONO selector to BRIDGED MONO.
2. Connect the speaker cord of the left speaker to the SPEAKERS terminals of the RB-870BX for left channel and the cord of the right speaker to the SPEAKERS terminals of the RB-870BX for right channel. The + lead of



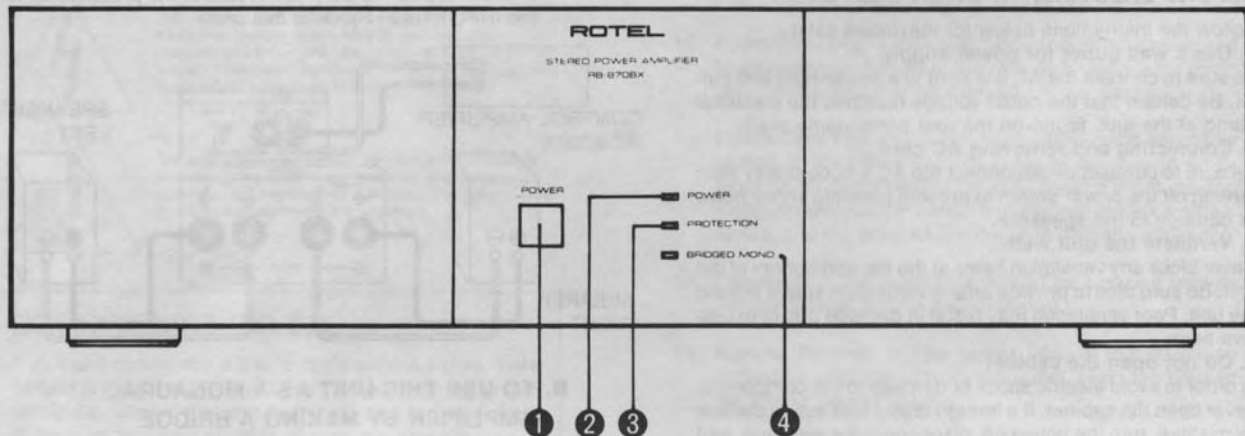
the speaker cord should be connected to the LEFT + (BRIDGED +) terminal and the - lead should be connected to the RIGHT + (BRIDGED -) terminal.

Note: The potential of the BRIDGED - terminal of this unit is not the same as the earth potential. Connect the speaker system directly to this unit using the speaker cords; never use the speaker select unit or something similar. Secure the speaker cord so that the lead of the cord does not touch the other terminal or the metal part of this unit.

- Using two cables with phono connectors, connect a preamplifier to two RB-870BXs. Connect the OUTPUT L jack of the preamplifier to the INPUT LEFT jack of the RB-870BX for left channel and the OUTPUT R jack of the preamplifier to the INPUT LEFT jack of the RB-870BX for right channel. The INPUT RIGHT jacks are not to be used in the bridged connection.

HOW TO CONNECT THE SPEAKER CORDS TO THE SPEAKERS TERMINALS

Strip the cord end and twist leads firmly, then connect it to the SPEAKERS terminal. The SPEAKERS terminals of this unit are screw type. Turn the screw counterclockwise and insert the cord end. Then tighten the screw firmly by turning clockwise so that the speaker cord cannot be pulled out accidentally.



OPERATION

- Before commencing operation, check to see if all connections are properly made.
- Before turning on the power in the unit, always be sure to turn down the preamplifier volume control to minimum.
 - Turn on the preamplifier.
 - Turn on the RB-870BX.
 - Reproduce a desired source, and raise the volume level on the preamplifier.

HUM AND NOISE

In any high fidelity installation, hum may be caused by the interconnection of a turntable, tuner and amplifier, and speakers as the result of wiring, different grounding or locations of components.

If hum is experienced with your unit, disconnect everything but the speakers from the unit. Plug in the turntable and if hum or howling appears, move the turntable away from the speakers as much as possible.

Note hum may also be induced by defective cable connections or by running the cables too close to strong AC field. When your unit picks up noise during the reception of broadcasts, causes are mostly due to external objects such as fluorescent lamps and house appliances using motor or thermostat, or others that may induce the noise.

Either relocating the unit away from the noise sources or using an improved outdoor antenna may readily solve the problem. In the event you cannot find the cause, consult your dealer or a qualified electrician.

SWITCHES AND CONTROLS

(1) Power Button

Depress this button to turn on the power in the unit. Press the button a second time to release it and to cut off the power.

(2) Power Indicator

Glows when power is turned on with the power button.

(3) Protection Indicator

The indicator normally lights for several seconds upon turning on the power. When the indicator goes off, it means the unit is in the normal operating state.

The indicator glows when abnormally high temperature is built up inside the unit. In such a case, the indicator will remain on until the temperature inside the unit drops to a normal level. When the indicator goes off, it indicates the unit has returned to the normal operating state.

(4) Bridged Mono Indicator

Lights up when using this unit as a monaural amplifier by making a bridge connection.

PROTECTION CIRCUIT

The RB-870BX incorporates thermal protector to prevent accident or damage. If for some reason the protection circuit is activated, there will be a sudden cut-off of sound from the speakers, and the protection indicator will light up.

If no sound is produced, the reason may be due to the functioning of the protection circuit. First, turn off the power and disconnect the plug from the electrical outlet. Then locate and remedy the cause of the trouble. When the thermal protector is activated, the unit will start functioning automatically after the temperature is lowered again.

If the protection circuit is activated again despite taking the above action, cut off the power supply from your entire audio system and consult your dealer or a qualified electrician.

Note: The protection circuit will normally operate to prevent a popping noise from being generated upon turning on the power. No sound is produced for several seconds after turn-on.

VOLTAGE SELECTION

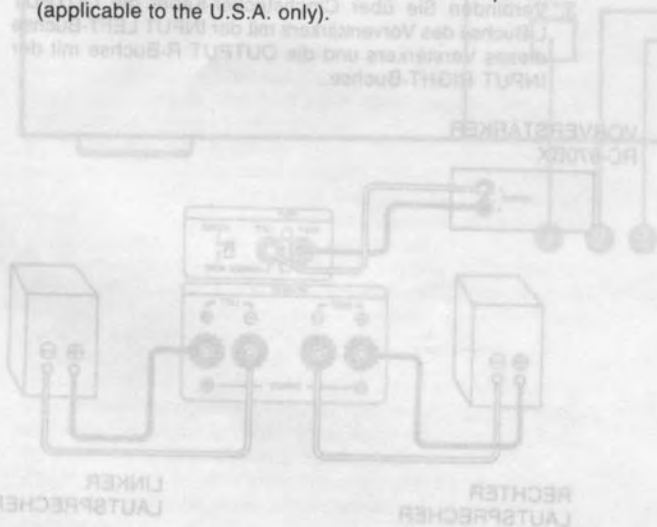
Not available for U.K., Canada and Scandinavia

The unit is a variable voltage equipment that can run on 120V, 220V or 240V power supply. Your unit should already be preset at the proper voltage for use in your area. However, if you move to an area where the power supply voltage is different, consult your dealer.

SPECIFICATIONS

Continuous Power Output...	100 watts* per channel, min. RMS both channels driven into 8 ohms from 20 to 20,000Hz with no more than 0.03% total harmonic distortion.
DIN Power Output	200 watts per channel (1kHz, 4 ohms, 1% THD)
Peak Current	50A (0.1 ohms, 10µsec, 1 pulse).
Bridged Power	300 watts (mono) min. RMS driven into 8 ohms from 20 to 20,000Hz with no more than 0.05% total harmonic distortion.
Total Harmonic Distortion (20 to 20.000Hz).....	No more than 0.03% (continuous rated power output) No more than 0.03% (continuous 1/2 rated power output) No more than 0.03% (1 watts per channel power output, 8 ohms)
Intermodulation Distortion (60Hz:7kHz = 4:1)	No more than 0.03% (continuous rated power output) No more than 0.03% (continuous 1/2 rated power output) No more than 0.03% (1 watt per channel power output, 8 ohms)
Output	Speaker 8 ohms nominal
Damping Factor	180 (20 to 20,000Hz, 8 ohms)
Input Sensitivity/Impedance	1.0 V/2 kohms
Frequency Response	4 to 100,000 Hz, + 0.5dB, - 3.0dB
Signal-to-Noise Ratio (IHF A network)	110dB
Power Requirement	120V/60Hz, 220V/50Hz, 240V/50Hz or 120, 220, 240V/50Hz-60Hz (switchable) (depending on destinations)
Power Consumption	500 watts
Dimensions (overall)	430 (W) x 109 (H) x 315 (D)mm 16-15/16" x 4-7/32" x 12-13/32"
Weight (net)	9.4kg/20.68 lbs.

- Specifications and design subject to possible modification without notice.
- Measured pursuant to the Federal Trade Commission's Trade Regulation Rule on Power Claims for Amplifiers (applicable to the U.S.A. only).



DEUTSCH
 STEREO-LEISTUNGSVERSTÄRKER RC-BOX

Einführung
 Die RC-BOX ist ein leistungsstarkes Stereo-Verstärker-System, das für den Einsatz in einem Hi-Fi-System geeignet ist. Es verfügt über zwei Kanäle, die jeweils mit 100 Watt Leistung ausgestattet sind. Das System ist für den Betrieb mit zwei Lautsprechern konzipiert und bietet eine hervorragende Klangqualität. Die RC-BOX ist ein ideales Upgrade für Ihr bestehendes Hi-Fi-System und wird Sie mit einer beeindruckenden Klangleistung begeistern.

1. Einleitung
 Das RC-BOX-System ist ein leistungsstarkes Stereo-Verstärker-System, das für den Einsatz in einem Hi-Fi-System geeignet ist. Es verfügt über zwei Kanäle, die jeweils mit 100 Watt Leistung ausgestattet sind. Das System ist für den Betrieb mit zwei Lautsprechern konzipiert und bietet eine hervorragende Klangqualität. Die RC-BOX ist ein ideales Upgrade für Ihr bestehendes Hi-Fi-System und wird Sie mit einer beeindruckenden Klangleistung begeistern.

2. Transport des Gerätes
 Ziehen Sie vor dem Transport den Netzstecker aus der Wandsteckdose und ebenfalls alle mit den Anschlüssen auf der Gerätehälfte verbundenen Kabel fern. Um Drittbeschädigungen zu vermeiden, sind die Lautsprecherkabel an der Rückseite des Gerätes zu verpacken.

3. Aufstellung
 Stellen Sie das Gerät auf eine waagerechte und ebene Oberfläche, wo es vor Feuchtigkeit, Vibrationen, hohen Temperaturen und direkter Sonneneinstrahlung geschützt ist. Achten Sie darauf, dass das Gerät nicht an einem Ort aufgestellt wird, an dem es durch Staub oder Schmutz verschmutzt werden könnte. Eine schlechte Belüftung kann zu Überhitzung führen.

4. Geringe Spannung für gute Belüftung des Gerätes
 Stellen Sie sicher, dass die Belüftung des Gerätes durch einen ausreichenden Abstand zum Boden und anderen Geräten gewährleistet ist. Ein unzureichender Luftstrom kann zu einer Überhitzung des Gerätes führen und Schäden an den Bauteilen verursachen.

5. Öffnen des Gerätes
 Um einen elektrischen Schlag zu vermeiden, ziehen Sie den Netzstecker vor dem Öffnen des Gerätes aus der Wandsteckdose. Ziehen Sie die Abdeckung des Gerätes vorsichtig ab und legen Sie sie an einen geeigneten Ort ab.

6. Vermeidung von Kurzschlüssen
 Vermeiden Sie es, die Lautsprecherkabel miteinander zu verdrillen oder sie an Metallteilen des Gerätes zu hängen. Dies kann zu Kurzschlüssen führen, die das Gerät beschädigen können.

7. Wann das Gerät neu wird
 Sollte das Gerät neu werden, ziehen Sie sofort den Netzstecker aus der Wandsteckdose.

8. Wenden Sie sich an Ihren Händler oder an einen qualifizierten Elektrofachmann.