

Important Safety Instructions

WARNING: There are no user serviceable parts inside. Refer all servicing to qualified service personnel.

WARNING: To reduce the risk of fire or electric shock, do not expose the unit to moisture or water. Do not expose the unit to dripping or splashing. Do not place objects filled with liquids, such as vases, on the unit. Do not allow foreign objects to get into the enclosure. If the unit is exposed to moisture, or a foreign object gets into the enclosure, immediately disconnect the power cord from the wall. Take the unit to a qualified service person for inspection and necessary repairs.

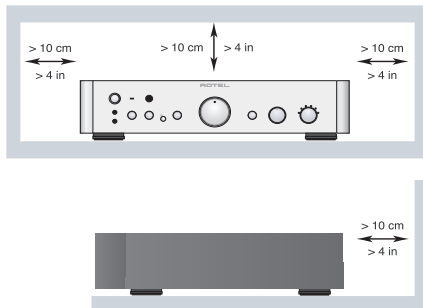
Read all the instructions before connecting or operating the component.

Keep this manual so you can refer to these safety instructions.

Heed all warnings and safety information in these instructions and on the product itself. Follow all operating instructions.

Clean the enclosure only with a dry cloth or a vacuum cleaner.

Do not use this unit near water.



You must allow a minimum 10 cm or 4 inches of unobstructed clearance around the unit.

Do not place the unit on a bed, sofa, rug, or similar surface that could block the ventilation openings. If the unit is placed in a bookcase or cabinet, there must be ventilation of the cabinet to allow proper cooling.

Keep the component away from radiators, heat registers, stoves, or any other appliance that produces heat.

WARNING: The rear panel power cord connector is the mains power disconnect device. The apparatus must be located in an open area that allows access to the cord connector.

The unit must be connected to a power supply only of the type and voltage specified on the rear panel. (USA: 120 V/60Hz, EC: 230V/50Hz)

Connect the component to the power outlet only with the supplied power supply cable or an exact equivalent. Do not modify the supplied cable. A polarized plug has two blades, with one wider than the other. A grounding plug has two blades plus a third grounding prong. These are provided for your safety. Do not defeat grounding and/or polarization safety provisions. If the supplied plug does not fit your outlet, please consult an electrician for replacement of the obsolete outlet. Do not use extension cords.

The main plug of the power cordset is a disconnect device of the apparatus. In order to completely disconnect the apparatus from the supply mains, the main plug of the power cordset should be unplugged from the mains (AC) outlet. The standby LED indicator will not be lit up to show the power cord is unplugged. The disconnect device shall remain readily operable.

Do not route the power cord where it will be crushed, pinched, bent, exposed to heat, or damaged in any way. Pay particular attention to the power cord at the plug and where the cord exits the back of the unit.

The power cord should be unplugged from the wall outlet during a lightning storm or if the unit is to be left unused for a long period of time.

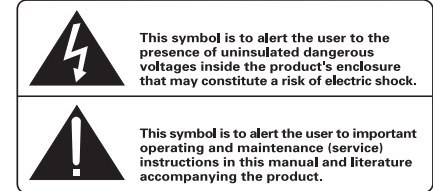
Use only accessories specified by the manufacturer.

Use only with a cart, stand, rack, bracket or shelf system recommended by Rotel. Use caution when moving the unit in a stand or rack to avoid injury from a tip-over.

Use Class 2 wiring for speaker connections to ensure proper installation and minimize the risk of electrical shock.

Immediately stop using the component and have it inspected and/or serviced by a qualified service agency if:

- The power supply cord or plug has been damaged
- Objects have fallen or liquid has been spilled into the unit
- The unit has been exposed to rain
- The unit shows signs of improper operation
- The unit has been dropped or damaged in any way



Rotel products are designed to comply with international directives on the Restriction of Hazardous Substances (RoHS) in electrical and electronic equipment and the disposal of Waste Electrical and Electronic Equipment (WEEE). The crossed wheelee bin symbol indicates compliance and that the products must be appropriately recycled or processed in accordance with these directives.


 This symbol means that this unit is double insulated. An earth connection is not required.



Figure 1: Controls and Connections
 Commandes et branchements
 Bedienelemente und Anschlüsse
 Controles y Conexiones
 De bedieningsorganen en aansluitingen
 Controlli e collegamenti
 Funktioner och anslutningar
 Органы управления и разъемы

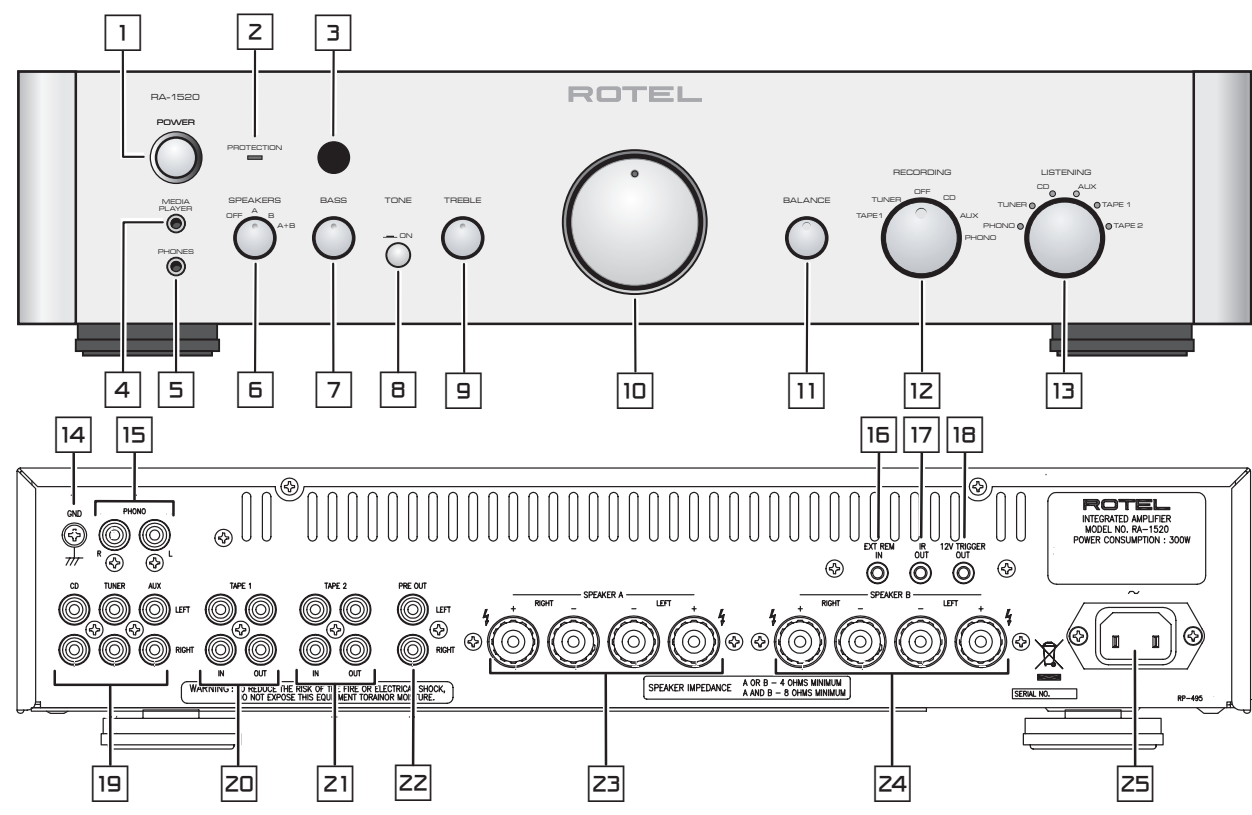


Figure 2: RR-AT94 Remote Control
 Télécommande RR-AT94
 Fernbedienung RR-AT94
 Mando a Distancia RR-AT94
 De afstandsbediening RR-AT94
 Telecomando RR-AT94
 RR-AT94 Fjärrkontroll
 Пульт ДУ RR-AT94

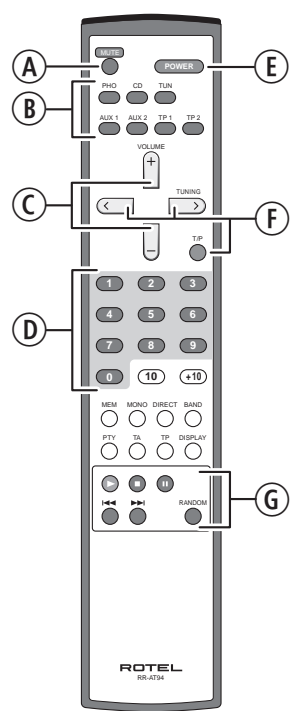
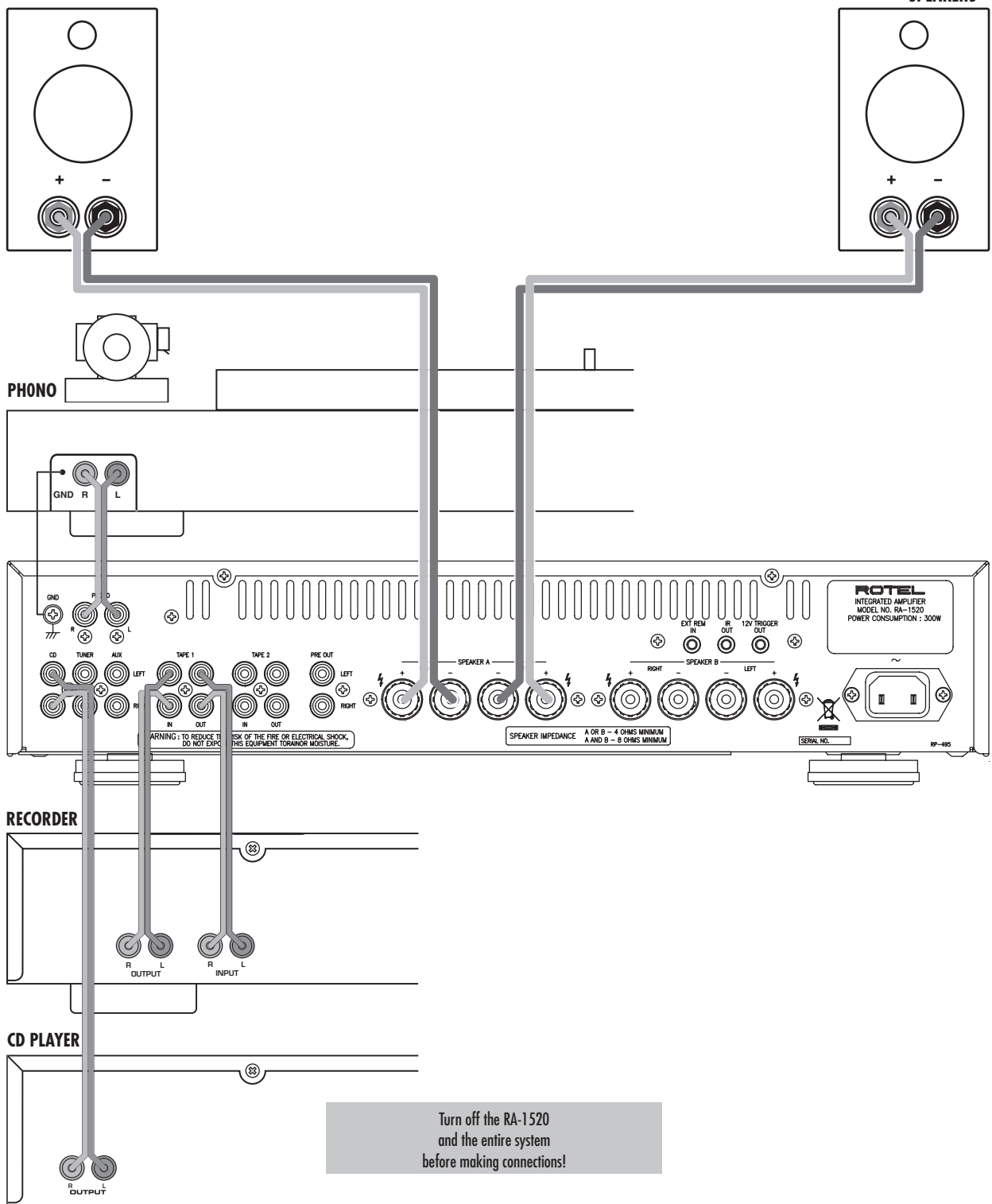


Figure 3: Signal Input and Speaker Output Connections
 Entrées sources et sorties enceintes acoustiques
 Signaleingang und Anschluss eines Lautsprecherpaares
 Conexiones de la Señal de Entrada y de Salida a las Cajas Acústicas
 De signaalgangen en de luidsprekeruitgangen
 Collegamenti dei segnali linea in ingresso e dei diffusori
 Signal- och högtalaranslutningar
 Подсоединение источников сигнала и акустических систем



Turn off the RA-1520 and the entire system before making connections!

Important Notes

When making connections be sure to:

- ✓ Turn off **all** the components in the system **before** hooking up **any** components, including loudspeakers.
- ✓ Turn off **all** components in the system **before** changing **any** of the connections to the system.

It is also recommended that you:

- ✓ Turn the volume control of the amplifier all the way down **before** the amplifier is turned **on or off**.

Remarques importantes

Pendant les branchements, assurez-vous que :

- ✓ **Tous** les maillons sont éteints **avant** leur branchement, **quels qu'ils soient**, y compris les enceintes acoustiques.
- ✓ Éteignez **tous** les maillons **avant** de modifier **quoi que ce soit** au niveau de leurs branchements, quels qu'ils soient.

Il est également recommandé de :

- ✓ Toujours baissez le niveau sonore via le contrôle de volume, **avant d'allumer ou d'éteindre** l'amplificateur.

Wichtige Hinweise

Achten Sie beim Herstellen der Verbindungen auf Folgendes:

- ✓ Schalten Sie **alle** Komponenten im System ab, **bevor** Sie Geräte (einschließlich Lautsprecher) anschließen.
- ✓ Schalten Sie **alle** Komponenten im System ab, **bevor** Sie Anschlüsse im System verändern.

Ferner empfehlen wir, dass

- ✓ Sie die Lautstärke herunterdrehen, **bevor** Sie den Verstärker **ein-** oder **abschalten**.

Notas Importantes

Cuando realice las conexiones, asegúrese de que:

- ✓ Desactiva **todos** los componentes del equipo, cajas acústicas incluidas, **antes** de conectar **cualquier nuevo componente** en el mismo.
- ✓ Desactiva **todos** los componentes del equipo **antes** de cambiar **cualquier conexión del mismo**.

También le recomendamos que:

- ✓ Reduzca el nivel de volumen de su amplificador a cero **antes** de **activarlo o desactivarlo**.

Héél belangrijk:

Bij het maken van de verbindingen:

- ✓ Zorg dat niet alleen de RA-1520, maar de **gehele** installatie uitstaat, als nog niet **alle** verbindingen gemaakt zijn.
- ✓ Zorg dat niet alleen de RA-1520, maar de **gehele** installatie ook uitstaat, **als** u verbindingen gaat **wijzigen**.

Wij raden u ook aan om

- ✓ de volumeregelaar van de voorversterker geheel dicht te draaien (volkomen naar links) **wanneer** u uw eindversterker **aan- of uitzet**.

Note importanti

Quando effettuate i collegamenti assicuratevi di:

- ✓ Spegnerne **tutti** i componenti del sistema **prima** di collegare **qualsiasi** componente, inclusi i diffusori.
- ✓ Spegnerne **tutti** i componenti del sistema **prima** di modificare **qualsiasi** connessione nel sistema.

Vi raccomandiamo inoltre di:

- ✓ Portare il volume a zero **prima** di **accendere o spegnere** l'amplificatore.

Viktigt

Tänk på följande när du gör anslutningar:

- ✓ Stäng av **alla** apparater i anläggningen **innan** du ansluter nya komponenter eller högtalare.
- ✓ Stäng av **alla** apparater i anläggningen **innan** du ändrar någon anslutning.

Du rekommenderas också:

- ✓ Vrida ner volymen på förstärkaren helt och hållet **innan** förstärkaren slås **på eller av**.

Важные замечания

Перед подсоединением:

- ✓ Выключите **все** компоненты, включая колонки.
- ✓ Выключите **все** компоненты в вашей системе, прежде чем что-то в ней **менять**.

Рекомендуется также:

- ✓ Вывести громкость усилителя на **минимум**, перед тем как **включать или выключать** его.

Contents

Important Safety Instructions	2
Figure 1: Controls and Connections	3
Figure 2: RR-AT94 Remote Control	3
Figure 3: Signal Input and Speaker Output Connections	4
Important notes	5
About Rotel	6
A Word About Watts	6
Getting Started	7
A Few Precautions	7
Placement	7
Cables	7
Remote Control	7
Audio Controls (A)(B)(C)(E)	7
CD Functions (D)(G)	7
DVD Functions (G)	7
Tuner Functions (D)(F)	7
Remote Sensor (3)	8
Remote Control Batteries	8
External Remote In Connection (16)	8
IR Out Connection (17)	8
Speaker Outputs	8
Speaker Wire Selection	8
Polarity and Phasing	8
Speaker Wire Connection (23)(24)	8
Input Signal Connections	9
Phono Input (15) and Ground Connection (14)	9
Line Level Inputs (19)	9
Recorder Connections (20)(21)	9
Media Player Input (4)	9
Preamp Outputs (22)	9
AC Power and Control	9
AC Power Input (25)	9
Power Switch and Power Indicator (1)	9
12V Trigger Connection (18)	9
Audio Controls	10
VOLUME Control (10)(C)	10
BALANCE Control (11)	10
BASS and TREBLE Tone Controls (7)(9)	10
TONE On/Off (8)	10
LISTENING Selector (13)	10
RECORDING Selector (12)	10
MUTE Button (A)	10
PHONES Output (5)	10
SPEAKERS Selector (6)	10
Protection Circuit	10
Protection Indicator (2)	10
Troubleshooting	11
Front Panel Power Indicator Is Not Lit	11
Fuse replacement	11
No Sound	11
Protection Indicator Is Lit	11
Remote Control Code Conflicts	11
Resetting The IR Code	11
Specifications	11

About Rotel

Our story began nearly 50 years ago. Over the decades, we have received hundreds of awards for our products and satisfied hundreds of thousands of people who take their entertainment seriously - like you!

Rotel was founded by a family whose passionate interest in music led them to manufacture high-fidelity components of uncompromising quality. Through the years, that passion has remained undiminished and the family goal of providing exceptional value for audiophiles and music lovers, regardless of their budget, is shared by all Rotel employees.

Rotel's engineers work as a close team, listening to, and fine tuning, each new product until it reaches their exacting musical standards. They are free to choose components from around the world in order to make that product the best they can. You are likely to find capacitors from the United Kingdom and Germany, semiconductors from Japan or the United States, while toroidal power transformers are manufactured in Rotel's own factory.

We all have concerns about our environment. And, as more and more electronics are produced and later discarded, it is especially important for a manufacturer to do all it can to engineer products that have a minimum negative impact on landfill sites and water tables.

At Rotel, we are proud to do our part. We have reduced the lead content in our electronics by using special ROHS solder, while our new Class D (not digital) amplifiers are up to five times more efficient than our legacy designs and still deliver power and performance. These products run cool, give minimum wasted energy, are good for the environment and give better sound too.

Finally, we have printed this manual on recycled paper stock.

While we understand that these are small first steps, they are still important ones. And we continue to pursue new methods and materials for a cleaner and greener manufacturing process. All of us at Rotel thank you for buying this product. We are sure it will bring you many years of enjoyment.

A Word About Watts

This amplifier's power output is quoted as 60 watts for each channel, when both channels are operating together at full power. Rotel has chosen to specify the power output in this way because, in Rotel's experience, it gives the truest value of the receiver or amplifier's power capability.

When comparing specifications for different products, you should be aware that power output is often specified in other ways, so you may not be comparing like with like. For example, the power output may be quoted with only one channel operating, giving a higher maximum figure.

A loudspeaker's impedance rating indicates the electrical resistance or load it offers when connected to the amplifier, usually 8 ohms or 4 ohms. The lower the impedance, the more power the speaker will need. In effect, a 4 ohm speaker will require twice as much power as an 8 ohm speaker.

However, Rotel amplifiers are designed to work into any speaker impedance between 8 and 4 ohms, and with all the channels working up to their full power. Because Rotel designs are optimized for use with all channels operating together, Rotel is able to specify the true power output for both channels.

Getting Started

Thank you for purchasing the Rotel RA-1520 Stereo Integrated Amplifier. When used in a high-quality music audio system, it will provide years of musical enjoyment.

The RA-1520 is a full featured, high performance component. All aspects of the design have been optimized to retain the full dynamic range and subtle nuances of your music. The RA-1520 has a highly regulated power supply incorporating a Rotel custom-designed toroidal power transformer and custom-made slit foil capacitors. This low impedance power supply has ample power reserves, which enables the RA-1520 to easily reproduce the most demanding audio signals. This type of design is more expensive to manufacture, but it is better for the music.

The printed circuit boards are designed with Symmetrical Circuit Traces. This insures that the precise timing of the music is maintained and faithfully recreated. The RA-1520 circuitry uses metal film resistors and polystyrene or polypropylene capacitors in important signal paths. All aspects of this design have been examined to ensure the most faithful music reproduction.

In addition the RA-1520 has independent input signal selectors for listening and recording. They allow you to listen to one signal source while recording another.

The main functions of the RA-1520 are easy to install and use. If you have experience with other stereo systems, you shouldn't find anything perplexing. Simply plug in the associated components and enjoy.

A Few Precautions

Please read this manual carefully. In addition to basic installation and operating instructions, it provides valuable information on various RA-1520 system configurations as well as general information that will help you get optimum performance from your system. Please contact your authorized Rotel dealer for answers to any questions you might have. In addition, all of us at Rotel welcome your questions and comments.

Save the RA-1520 shipping carton and all enclosed packing material for future use. Shipping or moving the RA-1520 in anything other than the original packing material may result in severe damage to your amplifier.

Fill out and send in the owner's registration card packed with the RA-1520. Also be sure to keep the original sales receipt. It is your best record of the date of purchase, which you will need in the event warranty service is ever required.

Placement

Like all audio components that handle low-level signals, the RA-1520 can be affected by its environment. Avoid placing the RA-1520 on top of other components. Also avoid routing audio signal cables near power cords. This will minimize the chance it will pick up hum or interference.

The RA-1520 generates heat as part of its normal operation. The heat sinks and ventilation openings in the amplifier are designed to dissipate this heat. The ventilation slots in the top cover must be open. There should be 10 cm (4 inches) of clearance around the chassis, and reasonable airflow through the installation location, to prevent the amplifier from overheating.

Remember the weight of the amplifier when you select an installation location. Make sure that the shelf or cabinet can support it. We recommend installing the RA-1520 in furniture designed to house audio components. Such furniture is designed to reduce or suppress vibration which can adversely affect sound quality. Ask your authorized Rotel dealer for advice about component furniture and proper installation of audio components.

The RA-1520 is supplied with an RR-AT94 remote control and must be placed where the infrared signal from the remote can reach the front panel Remote Sensor.

Cables

Keep power cords, digital cables, and audio cables away from each other. This will minimize the chance of the audio signal cables picking up noise or interference from the power cords or digital cables. Using high quality, shielded cables will also help to prevent noise or interference. If you have any questions see your authorized Rotel dealer for advice about the best cable to use with your system.

Remote Control

The RA-1520 includes an RR-AT94 remote control that operates many of the controls of the RA-1520. In addition, the remote operates basic features of some Rotel CD players, DVD players, and AM/FM tuners.

Audio Controls ^A^B^C^E

The RR-AT94 duplicates the basic audio functions of the RA-1520 front panel. When a function is available on both the front panel and the remote, a number (see front panel illustration) and a letter (see remote control illustration) are shown in the instructions. For example, to change the volume level, you can either turn the control on the front panel or use the buttons on the remote. When only one identifier appears, that control is available only on the front panel or the remote, but not both.

CD Functions ^D^G

The PLAY, STOP, PAUSE, TRACK and RANDOM buttons, and NUMERIC keys (0-10) operate many Rotel CD players after the CD button on the remote has been pressed.

DVD Functions ^G

The PLAY, STOP, PAUSE, and TRACK ±, buttons operate Rotel DVD players, after the AUX1 button on the remote has been pressed.

Tuner Functions ^D^F

The BAND, TUNING, and additional tuning feature buttons operate Rotel tuners, after the TUNER button on the remote has been pressed.

Note: By default, the RR-AT94 operates the Rotel RT-1080/RT-1082/RT-1084 tuners. The remote can be reprogrammed to operate the RT-940AX tuner. This programming only needs to be done once:

To program for the RT-940AX: press the POWER button and the 2 button simultaneously.

To program for the RT-1080/RT-1082/RT-1084: press the POWER button and the 1 button simultaneously.

Remote Sensor

The remote sensor receives infrared signals from the remote control. Do not cover or block the sensor. It must be unobstructed or the remote control will not work properly.

The operation of the remote sensor can also be affected if it is exposed to bright sunlight or certain types of lighting (such as halogen lights) that emit infrared light. In addition remote control functions may not work reliably if the batteries in the RR-AT94 are weak.

Note: To use the remote, aim it at the remote sensor on the front panel of the RA-1520.

Remote Control Batteries

Two UM-4/AAA size batteries (supplied) must be installed before the remote control can be used. To install the batteries, remove the cover on the back of the RR-AT94. Install the batteries as shown in the illustration in the battery well. Test the control for proper operation, then replace the cover. When the batteries become weak the remote control won't operate the RA-1520 consistently. Installing fresh batteries should eliminate the problem.

EXT REM IN Jack

The 3.5 mm mini-jack labeled EXT REM IN can receive command codes from a third-party infrared receiver or Rotel remote zone keypad. It can be used with an outboard IR receiver to duplicate the front panel IR sensor. This feature is useful when the IR signals from a hand-held remote control cannot reach the front panel IR sensor, for example if unit is installed in a cabinet and the front panel sensor is blocked, or when IR signals need to be relayed to other components.

Consult your authorized Rotel dealer for information on external receivers and proper wiring of 3.5mm mini-plugs to fit the REM IN jack.

Note: The IR signals from the EXT IN jack can be relayed to source components using external IR emitters or hard-wired connections from the IR OUT jacks. See the following section for additional information.

IR OUT Connection

The 3.5mm IR OUT jack sends IR signals received at the EXT REM IN jack to an infrared blaster or emitter placed in front of a source component's IR sensor. In addition, the IR OUT connection can be hard-wired to Rotel CD players, DVD players, or tuners with a compatible connector.

For example, this allows the RA-1520 to pass along IR signals when the sensors on the source components are blocked by installation in a cabinet.

See your authorized Rotel dealer for information on IR emitters and repeater systems.

Note: Remove the batteries from the remote if it will not be used for a long period of time. Do not leave run down batteries in the remote control; they can leak corrosive chemicals which will damage the unit.

Speaker Outputs

See Figure 3

The RA-1520 has two sets of speaker outputs, labeled SPEAKER A and SPEAKER B. The speaker outputs are controlled by the switch on the front panel.

Speaker Impedance

If only one set of speakers will be used at any given time, the speakers may have an impedance as low as 4 ohms. If there are times when both the A and B speakers will be used, all the speakers should have an impedance of 8 ohms or more. Speaker impedance ratings are less than precise. In practice, very few loudspeakers will present any problems for the RA-1520. See your authorized Rotel dealer if you have any questions.

Speaker Wire

Use insulated two-conductor stranded wire to connect the RA-1520 to the speakers. The size and quality of the wire can have an audible effect on the performance of the system. Standard speaker wire will work, but can result in lower output or diminished bass response, particularly over longer distances. In general, heavier wire will improve the sound. For best performance, you may want to consider special high-quality speaker cables. Your authorized Rotel dealer can help in the selection of cables for your system.

Polarity and Phasing

The polarity – the positive/negative orientation of the connections – for every speaker and amplifier connection must be consistent so all the speakers will be in phase. If the polarity of one connection is reversed, bass output will be very weak and stereo imaging degraded. All wire is marked so you can identify the two conductors. There may be ribs or a stripe on the insulation of one conductor. The wire may have clear insulation with different color conductors (copper and silver). There may be polarity indications printed on the insulation. Identify the positive and negative conductors and be consistent with every speaker and amplifier connection.

Speaker Connections

Turn off all the components in the system before connecting the speakers. The RA-1520 has color-coded speaker connectors on the back panel. These connectors accept bare wire, or connector lugs. (In non-EC markets, the connectors also accept dual banana plugs.)

Route the wire from the RA-1520 to the speakers. Give yourself enough slack so you can move the components to allow access to the speaker connectors. If you are using dual banana plugs, connect them to the wires and then plug into the backs of the binding posts. The thumbscrews of the binding posts should be screwed in all the way (clockwise).

If you are using terminal lugs, connect them to the wires. If you are attaching bare wires directly to the binding posts, separate the wire conductors and strip the insulation from the end of each conductor. Be careful not to cut into the wire strands. Unscrew (turn counterclockwise) the binding post thumbscrews. Place the connector lug or wire around the binding post shaft. Turn the thumbscrews clockwise to clamp the connector lug or wire firmly in place.

Note: Be sure there are no loose wire strands that could touch adjacent wires or connectors.

Input Signal Connections

See Figure 3

The RA-1520 has line level inputs for source components, connections for audio tape decks, and preamp output connections to send signals to an external power amplifier.

Note: To prevent loud, potentially damaging, noises, make sure the system is turned off when you make any signal connections.

Phono Input and Ground Connection

Plug the cable from the turntable into the appropriate left and right phono inputs. If the turntable has a "ground" wire connect it to the screw terminal to the left of the Phono inputs. It will help prevent hum and noise.

Line Level Inputs

The RA-1520 has three pair of conventional RCA input connectors for line level components such as CD players, video cassette recorders, tuners, Laser Disc players, or DVD players. These inputs are labeled CD, TUNER, AUX.

The left and right channels are clearly labeled and should be connected to the corresponding channels of the source component. The left RCA connectors are white, the right connectors are red. Use high quality RCA cables for connecting input source components to the RA-1520. Ask your authorized Rotel dealer for advice about cables.

Recorder Connections

Tape inputs and outputs can be connected to any record/playback device that accepts standard line level analog input and output signals. Typically that will be a conventional tape recorder. There are two sets of tape connections on the back panel, labelled TAPE 1 and TAPE 2.

When connecting a recorder to the RA-1520, the outputs of the recorder must be connected to the tape inputs of the RA-1520. Similarly the tape outputs of the RA-1520 must be connected to the inputs of the recorder. Be sure to connect the left and right channels of each device to the proper channels on the associated components. Use high quality connecting cables to prevent loss of sound quality.

Note: The tape inputs can also be used for standard playback-only source components, omitting the output connections.

Media Player Input

A 3.5mm (1/8") stereo input socket for a "Media Player" is provided on the front of the RA-1520 and is selected by turning the Listening input selector to AUX. Any portable stereo cassette, compact disc player or hard disc playback device can be connected via this input.

If the Media Player input is connected to the headphone outputs of the player note that you may need to adjust the volume control on the player for sound to be heard. If the sound is loud and distorted turn down the volume on the player. If the sound is not loud enough, even when the RA-1520 volume control is turned up fairly high, then carefully turn up the volume control on the player.

Note: When the 3.5mm (mini jack) is inserted into the Media Player socket the rear input called AUX is disconnected. Removing the 3.5mm plug from the Media player socket will allow the rear AUX input to function. On the RR-AT94 remote, use the Volume + and – buttons to increase or decrease the volume level.

Preamp Outputs

The RA-1520 has a pair of preamp outputs that can send a variable gain signal to an external power amp or signal processor. The preamp outputs are standard RCA-type output connectors, compatible with the inputs of most power amplifiers. Use high quality cables and be sure to connect the left and right channel outputs of the RA-1520 to the correct channels of the amplifier.

AC Power and Control

AC Power Input

Because of its relatively high power rating, the RA-1520 can draw considerable current. Therefore, it should be plugged directly into a 2-pin polarized wall outlet. Do not use an extension cord. A heavy duty multi-tap power outlet strip may be used if it (and the wall outlet) is rated to handle the current demanded by the RA-1520 and all the other components connected to it.

Your RA-1520 is configured at the factory for the proper AC line voltage in the country where you purchased it (USA: 120 volts/60Hz AC or CE: 230 volts/50 Hz AC). The AC line configuration is noted on a decal on the back panel. Plug the supplied cord into the AC INPUT receptacle on the back of the unit.

Note: Should you move your RA-1520 to another country, it is possible to reconfigure your amplifier for use on a different line voltage. Do not attempt to perform this conversion yourself. Opening the enclosure of the RA-1520 exposes you to dangerous voltages. Consult a qualified service person or the Rotel factory service department for information.

If you are going to be away from home for an extended period of time such as a month long vacation, it is a sensible precaution to unplug your audio and video components while you are away.

POWER Button and Power Indicator

Press the front panel POWER button, to turn the RA-1520 on. The power indicator light ring around the power button and the MUTE function LED are illuminated when the RA-1520 is on. Press the POWER button again to turn the RA-1520 off. Once the RA-1520 has been turned on with the front panel button, it can be switched between normal operating mode and Standby mode with the POWER button on the RR-AT94. Also, when in Standby mode, it can be turned on by pressing one of the LISTENING input buttons.

12V TRIGGER Connection

Several Rotel amplifiers can be turned on and off using a 12 volt signal, provided by the 12V TRIGGER connection. When the RA-1520 is activated, a 12 volt DC signal appears at this connector and will turn on an amplifier. When the RA-1520 is turned off, the trigger signal is interrupted and the external amplifier will be turned off.

Audio Controls

The following controls are used to operate the RA-1520.

VOLUME Control

Turn the front panel VOLUME control clockwise to increase the volume, or counterclockwise to decrease the volume. Alternatively, press the VOL buttons on the remote control to adjust the volume up or down.

BALANCE Control

The Balance Control adjusts the left-to-right balance of the sound output. Normally the control should be left in the center position. In some situations, typically when the main listening position is not ideally centered between the speakers, it may be necessary to adjust the control to achieve proper left-to-right balance. Turning the control counter-clockwise shifts the sound balance to the left. Turning the control clockwise shifts the sound balance to the right.

BASS and TREBLE Tone Controls

These two front panel rotary controls are used to make adjustments to the tone or contour settings, boosting or cutting high frequencies (TREBLE) and low frequencies (BASS). If tone adjustments are not required, the tone control circuit can be bypassed by using the TONE On/Off switch.

TONE On/Off

When this button is in the 'off' position (with the button out) the BASS and TREBLE tone controls are inoperative. This setting gives a more direct signal path and may give a small improvement in sound quality for critical listening.

LISTENING Selector

The setting of the LISTENING selector controls which of the input signals goes to the main outputs and onto the power amplifier – or, more simply, which source is heard. Turn the front panel control to the source you want to hear, or press the corresponding button on the RR-AT94 remote.

RECORDING Selector

The RA-1520 can record from any input source (except TAPE 2) to a recorder connected to TAPE 1 or TAPE 2 outputs. To select an input source for recording, turn the RECORDING control on the front-panel to the desired source.

This selection is independent of the source selected for listening. While recording, you may still select a different source using the LISTENING selector.

If you have a three-head recorder or a DAT recorder that allows simultaneous read and write operation, you can monitor your recording by setting the LISTENING switch to the TAPE 1 or TAPE 2 position.

Note: If you select TAPE 1 with the RECORDING control, the recording signal will only be available at the TAPE 2 recording outputs, not the TAPE 1 outputs. To dub a tape, select TAPE 1 and record to the tape deck connected to the TAPE 2 outputs.

MUTE Button

To temporarily mute the sound of the system press the MUTE button on the RR-AT94 remote. Press the button again to return the sound volume to the original level. The LED in the volume control will flash when the unit is muted.

PHONES Output

The PHONES output allows you to connect headphones for private listening. This output accepts standard stereo 1/8" stereo mini plugs.

If your headphones have a 1/4" plug, you will need an adapter plug. Contact your authorized Rotel dealer, to get the correct adapter plug.

Note: Plugging in headphones does not cut off the signal to the speakers. If desired, use the SPEAKERS selector to turn off the signal to the speakers for private listening.

SPEAKERS Selector

A four-position rotary switch on the front panel determines which set of speakers, if any, is active. Set the SPEAKER selector as follows:

OFF: No speakers will be heard. Use this position when listening to headphones.

A: The speakers connected to the SPEAKER A terminals will be heard.

B: The speakers connected to the SPEAKER B terminals will be heard.

A+B: The speakers connected to both the SPEAKER A and SPEAKER B terminals will be heard.

Protection Circuit

Protection Indicator

Thermal protection circuits protect the amplifier against potential damage in the event of extreme or faulty operating conditions. Unlike many designs, the RA-1520 protection circuit is independent of the audio signal and has no impact on sonic performance. Instead, the protection circuit monitors the temperature of the output devices and shuts down the amplifier if safe limits are exceeded.

In addition, the RA-1520 includes over-current protection which operates only when load impedances drop too low. This protection is independent for each channel and is indicated by the front panel Protection LED.

Should a faulty condition arise, the amplifier will stop playing and the Protection LED on the front panel will light.

If this happens, turn the amplifier off, let it cool down for several minutes, and attempt to identify and correct the problem. When you turn the amplifier back on, the protection circuit will automatically reset and the PROTECTION LED should go out.

In most cases, the protection circuitry activates because of a fault condition such as shorted speaker wires, or inadequate ventilation leading to an overheating condition. In very rare cases, highly reactive or extremely low impedance speaker loads could cause the protection circuit to engage.

Troubleshooting

Most difficulties in audio systems are the result of incorrect connections, or improper control settings. If you encounter problems, isolate the area of the difficulty, check the control settings, determine the cause of the fault and make the necessary changes. If you are unable to get sound from the RA-1520 refer to the suggestions for the following conditions:

Power Indicator Is Not Lit

The power indicator ring around the power button should be lit whenever the RA-1520 is plugged into the wall power outlet and the POWER switch is pushed in. If it does not light, test the power outlet with another electrical device, such as a lamp. Be sure the power outlet being used is not controlled by a switch that has been turned off.

Fuse Replacement

If another electrical device works when plugged into the power outlet, but the power indicator still will not light when the RA-1520 is plugged into the wall outlet, it indicates that the internal power fuse may have blown. If you believe this has happened, contact your authorized Rotel dealer to get the fuse replaced.

No Sound

Check the signal source to see if it is functioning properly. Make sure the cables from the signal source to the RA-1520 inputs are connected properly. Be sure the LISTENING selector is set to the proper input. Be sure the SPEAKERS selector is set to the proper position. Check the wiring between the RA-1520 and the speakers.

Protection Indicator Is Lit

The front panel indicator lights when the RA-1520 protection circuits have shut off the amplifier. Typically, this occurs only when the ventilation openings are blocked, when there is faulty speaker wiring, or after a period of extreme use. Turn off the system and wait for the amp to cool. Then push the front panel power switch in and out to reset the protection devices. If the problem is not corrected or reoccurs, there is a problem with the system or the amplifier itself.

Remote Control Code Conflicts

Rotel uses the same IR remote control codes for all its audio products. In systems that have multiple Rotel products, the IR control codes of a remote control that is supplied with one product may interfere with the control codes of another product. The RR-AT94 and the RA-1520 can be set to alternate control codes to prevent such conflicts.

To change the IR codes of the RR-AT94, press the Phono button and the 2 button at the same time. To change the IR codes of the RA-1520, point the RR-AT94 at the RA-1520 then press and hold the 2 button for 5 seconds. The LED in the volume control will flash to indicate the IR code has changed.

Note: After changing the remote codes for the remote control and the preamplifier as described above, the remote control will no longer operate the Rotel tuners. To return the RR-AT94 IR code to the default setting, press the Phono button and the 1 button at the same time. To return the IR code of the RA-1520 to the default setting, point the RR-AT94 at the RA-1520 and press and hold the 1 button for 5 seconds. The LED in the volume control will flash to indicate the IR code has changed.

Resetting the IR code

Should you need to reset the IR code, press the MUTE button (A) on the RR-AT94 remote control for more than 5 seconds while pointing it at the RA-1520. The unit will return to default condition and the Listening CD LED (B) will turn on to indicate the IR code is reset. Contact your authorized Rotel dealer for further information.

Specifications

Continuous Power Output <i>(20-20 kHz, < 0.03%, 8 ohms)</i>	60 watts/channel
Total Harmonic Distortion (20Hz-20kHz) <i>at rated power, 1/2 power, or 1 watt</i>	< 0.03%
Intermodulation Distortion (60 Hz : 7 kHz, 4:1) <i>at rated power, 1/2 power or 1 watt</i>	< 0.03%
Frequency Response:	
Phono Input	20Hz-15kHz, ±0.2dB
Line Level Inputs	10Hz-100kHz, +1, -3dB
Damping Factor (20Hz-20kHz, 8 ohms)	150
Line Input Sensitivity / Impedance	170 mV / 24k ohms
Line Input Overload	5 V
Phono (MM) Sensitivity / Impedance	2.8mV / 47k ohms
Input (Phono) Overload	170mV
Preamplifier Output / Impedance	1V / 470 ohms
Signal to Noise Ratio (IHF "A" weighted)	>95 dB
Power Requirements:	
USA:	120 Volts, 60 Hz
EC:	230 Volts, 50 Hz
Power Consumption	300 watts
Dimensions (W x H x D)	431 x 99 x 339 mm
Front Panel Height	2U (88.1mm)
Weight (net)	7.8 kg, 17.2 lbs.

All specifications are accurate at the time of printing.

Rotel reserves the right to make improvements without notice.

Rotel and the Rotel Hi-Fi logo are registered trademarks of The Rotel Co., Ltd., Tokyo, Japan.

Remarques importantes concernant la sécurité

ATTENTION : Il n'y a à l'intérieur aucune pièce susceptible d'être modifiée par l'utilisateur. Adressez-vous impérativement à une personne qualifiée.

ATTENTION : Pour réduire tout risque d'électrisation ou d'incendie, ne pas exposer l'appareil à une source humide, ou à tout type de risque d'éclaboussure ou de renversement de liquide. Ne pas poser dessus d'objet contenant un liquide, comme un verre, un vase, etc. Prenez garde à ce qu'aucun objet ou liquide ne tombe à l'intérieur de l'appareil par ses orifices de ventilation. Si l'appareil est exposé à l'humidité ou si un objet tombe à l'intérieur, débranchez-le immédiatement de son alimentation secteur, et adressez-vous immédiatement et uniquement à une personne qualifiée et agréée.

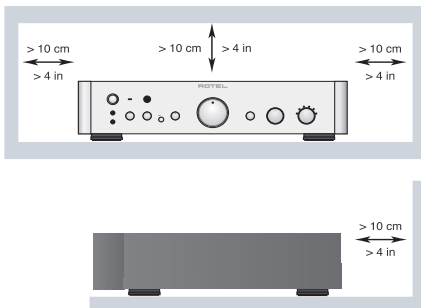
Tous les conseils de sécurité et d'installation doivent être lus avant de faire fonctionner l'appareil.

Conservez soigneusement ce livret pour le consulter à nouveau pour de futures références.

Tous les conseils de sécurité doivent être soigneusement respectés. Suivez les instructions. Respectez les procédures d'installation et de fonctionnement indiquées dans ce manuel.

L'appareil doit être nettoyé uniquement avec un chiffon sec ou un aspirateur.

Ne pas utiliser cet appareil près d'un point d'eau.



L'appareil doit être placé de telle manière que sa propre ventilation puisse fonctionner, c'est-à-dire avec un espace libre d'une dizaine de centimètres minimum autour de lui.

Il ne doit pas être posé sur un fauteuil, un canapé, une couverture ou toute autre surface susceptible de boucher ses ouïes d'aération ; ou placé dans un meuble empêchant la bonne circulation d'air autour des orifices d'aération.

Cet appareil doit être placé loin de toute source de chaleur, tels que radiateurs, chaudières, bouches de chaleur ou d'autres appareils (y compris amplificateurs de puissance) produisant de la chaleur.

ATTENTION : La prise secteur en face arrière constitue le moyen principal pour connecter/déconnecter l'appareil de son alimentation secteur. L'appareil doit donc être installé de telle manière que ce câble d'alimentation soit accessible en permanence.

Cet appareil doit être branché sur une prise d'alimentation secteur, d'une tension et d'un type conformes à ceux qui sont indiqués sur la face arrière de l'appareil (USA : 120 V/60 Hz, CE : 230 V/50 Hz)

Brancher l'appareil uniquement grâce au cordon secteur fourni, ou à un modèle équivalent. Ne pas tenter de modifier ou changer la prise. Notamment, ne pas tenter de supprimer la prise de terre (troisième broche de la prise) si celle-ci est présente. Si la prise n'est pas conforme à celles utilisées dans votre installation électrique, consultez un électricien agréé. Ne pas utiliser de cordon rallonge.

Prendre garde à ce que ce cordon d'alimentation ne soit pas pincé, écrasé ou détérioré sur tout son trajet, et à ce qu'il ne soit pas mis en contact avec une source de chaleur. Vérifiez soigneusement la bonne qualité des contacts, à l'arrière de l'appareil comme dans la prise murale.

La prise d'alimentation secteur constitue le moyen radical de déconnexion de l'appareil. Elle doit donc rester en permanence accessible, car sa déconnexion constitue la seule assurance que l'appareil n'est plus alimenté par le secteur. La diode LED de mise en veille Standby ne s'allume plus lorsque ce cordon d'alimentation est débranché.

Prendre garde à ce que ce cordon d'alimentation ne soit pas pincé, écrasé ou détérioré sur tout son trajet, et à ce qu'il ne soit pas mis en contact avec une source de chaleur. Vérifiez soigneusement la bonne qualité des contacts, à l'arrière de l'appareil comme dans la prise murale.

Débranchez le câble d'alimentation en cas d'orage, ou si l'appareil ne doit pas être utilisé pendant une longue période.

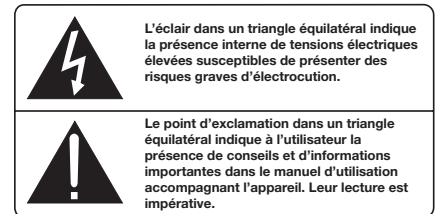
N'utilisez que des accessoires préconisés par le constructeur.

N'utilisez que des meubles, supports, systèmes de transport recommandés par Rotel. Procédez toujours avec la plus extrême précaution lorsque vous déplacez l'appareil, afin d'éviter tout risque de blessure.

Utilisez un câble de type Classe 2 pour la liaison avec les enceintes acoustiques, afin de garantir une installation correcte et de minimiser les risques d'électrocution.

L'appareil doit être immédiatement éteint, débranché puis retourné au service après-vente agréé dans les cas suivants :

- Le câble d'alimentation secteur ou sa prise est endommagé.
- Un objet est tombé, ou du liquide a coulé à l'intérieur de l'appareil.
- L'appareil a été exposé à la pluie.
- L'appareil ne fonctionne manifestement pas normalement.
- L'appareil est tombé, ou le coffret est endommagé.



Tous les appareils Rotel sont conçus en totale conformité avec les directives internationales concernant les restrictions d'utilisation de substances dangereuses (RoHS) pour l'environnement, dans les équipements électriques et électroniques, ainsi que pour le recyclage des matériaux utilisés (WEEE, pour Waste Electrical and Electronic Equipment). Le symbole du conteneur à ordures barré par une croix indique la compatibilité avec ces directives, et le fait que les appareils peuvent être correctement recyclés ou traités dans le respect total de ces normes.



 Ce symbole signifie que l'appareil bénéficie d'une double isolation électrique. Une liaison à la terre n'est pas obligatoire.



Sommaire

Figure 1 : Commandes et branchements	3
Figure 2 : Télécommande RR-AT94	3
Figure 3 : Entrées sources et sorties enceintes acoustiques	4
Remarques importantes	5
Remarques importantes concernant la sécurité	12
Au sujet de Rotel	13
Un mot au sujet de la notion de watts	13
Pour démarrer	14
Quelques précautions	14
Installation	14
Câbles	14
Télécommande	15
Contrôles audio (A)(B)(C)(E)	15
Fonctions CD (D)(G)	15
Fonctions DVD (G)	15
Fonctions tuner (D)(F)	15
Capteur IR (infrarouge) (3)	15
Piles de la télécommande	15
Prise d'entrée télécommande Remote In EXT REM (16)	15
Prise de sortie IR OUT (17)	15
Sorties enceintes acoustiques	15
Impédance des enceintes acoustiques	16
Section du câble d'enceintes	16
Polarité et mise en phase	16
Branchement des enceintes (23)(24)	16
Branchements des signaux d'entrée	16
Entrée Phono (15) et prise de masse (14)	16
Entrées niveau Ligne (19)	16
Branchements de l'enregistreur (20)(21)	16
Entrée Media Player (4)	16
Sorties préampli Preamp (22)	17
Alimentation électrique et mise en service	17
Prise d'alimentation secteur (25)	17
Interrupteur de mise sous tension et indicateur Power (1)	17
Prise de commutation TRIGGER 12 V (18)	17
Commandes audio	17
Contrôle de VOLUME (10) et (C)	17
Contrôle de BALANCE (11)	17
Correcteurs grave et aigu BASS et TREBLE (7)(9)	17
Mise en/hors service des correcteurs de timbre TONE On/Off (8)	17
Sélecteur de source en écoute LISTENING (13)(B)	17
Sélecteur de source en enregistrement RECORDING (12)	17
Touche silence MUTE (A)	18
Sortie casque PHONES (5)	18
Sélecteur enceintes SPEAKERS (6)	18
Circuit de protection	18
Indicateur de protection (2)	18
Problèmes de fonctionnement	18
La diode Power ne s'allume pas	18
Remplacement du fusible	18
Pas de son	18
L'indicateur Protection s'allume	19
Conflits entre télécommandes (codes IR)	19
Remise à zéro des codes infrarouge (IR)	19
Spécifications	19

Au sujet de Rotel

Notre histoire commence il y a environ 50 ans. Depuis, au fil des années, nous avons reçu des centaines de prix et de récompenses, et satisfait des centaines de milliers de personnes – comme vous !

Rotel a été fondée par une famille passionnée de musique, qui a décidé de fabriquer des maillons Haute Fidélité sans compromis aucun. Depuis sa création, cette passion est restée intacte, et cette famille s'est fixée comme objectif de proposer à tous les audiophiles et mélomanes les meilleurs appareils possibles, quel que soit leur budget. Une volonté partagée par tous les employés de Rotel.

Les ingénieurs Rotel travaillent selon une équipe très soudée, écoutant, peaufinant chaque nouveau modèle jusqu'à ce qu'il atteigne exactement leurs standards – très élevés – de musicalité. Ils sont libres de choisir des composants en provenance du monde entier, afin de concevoir le produit le meilleur possible. C'est ainsi que vous trouverez dans nos appareils des condensateurs d'origine britannique ou allemande, des transistors japonais ou américains, tandis que les transformateurs toriques sont toujours fabriqués dans nos propres usines Rotel.

Nous sommes tous concernés par la qualité de l'environnement. Et, comme de plus en plus de produits électroniques sont fabriqués puis éliminés quelques années plus tard, il est désormais essentiel qu'un constructeur fabrique tous ses produits en veillant à ce qu'ils aient un impact minimum sur la terre et les nappes phréatiques.

Chez Rotel, nous sommes très fiers d'apporter notre pierre à ce nouvel édifice. Nous avons réduit la teneur en plomb de nos électroniques, en utilisant notamment une soudure spéciale ROHS, tandis que notre nouvelle gamme d'amplificateurs fonctionnant en classe D (non numérique) présente un rendement cinq fois supérieur aux générations conventionnelles précédentes, délivrant pourtant encore plus de puissance, avec une qualité encore supérieure. Ces appareils ne chauffent pas, dépensent beaucoup moins d'énergie, sont donc très bons pour l'environnement tout en étant encore plus musicaux.

En plus, nous imprimons tous nos catalogues et manuels sur papier recyclé.

Ce ne sont certes que de petites étapes. Mais ne sont-ce pas justement les plus importantes ? Nous continuons activement la recherche et la mise au point de nouvelles méthodes, et l'utilisation de nouveaux matériaux pour aboutir à un processus de fabrication général plus écologique et plus propre.

Tous les membres de l'équipe Rotel vous remercient pour l'achat de cet appareil. Nous sommes persuadés qu'il vous offrira de nombreuses années d'intense plaisir musical.

Un mot au sujet de la notion de watts

La puissance de sortie de cet amplificateur est de 60 watts par canal, les deux canaux étant en service et fonctionnant au maximum de leur puissance. Rotel a choisi d'indiquer la puissance de sortie de cette manière parce que l'expérience de Rotel prouve que c'est la seule valeur de puissance réellement valable pour un amplificateur ou un ampli-tuner.

Lorsque l'on compare les spécifications de différents appareils, il convient de se méfier car la puissance est souvent indiquée sous d'autres conditions de fonctionnement, les résultats étant alors en fait incomparables.

Par exemple, la puissance de sortie peut être indiquée avec seulement deux canaux réellement en service, ce qui donne évidemment un résultat plus élevé. Les performances des alimentations de ces amplificateurs garantissent qu'ils sont capables de fournir la puissance de sortie maximum spécifiée sur un ou deux de leurs canaux.

L'impédance d'une enceinte acoustique indique la résistance électrique ou charge qu'elle représente, lorsque branchée sur un amplificateur, généralement 8 ohms ou 4 ohms. Plus l'impédance est faible, plus l'enceinte a besoin de puissance. En effet, une enceinte de 4 ohms nécessite près de deux fois la puissance d'une enceinte de 8 ohms.

Cependant, les amplificateurs Rotel sont conçus pour fonctionner avec des enceintes acoustiques de n'importe quelle impédance comprise entre 4 et 8 ohms, tous les canaux fonctionnant simultanément au maximum de leur puissance. Parce que la conception des circuits Rotel est optimisée pour le fonctionnement simultané de tous les canaux, Rotel peut se permettre de spécifier la puissance efficace maximum réelle disponible simultanément sur les deux canaux.

Pour démarrer

Nous vous remercions pour votre acquisition de cet amplificateur stéréo Rotel RA-1520. En tant que maillon d'un système haute-fidélité de très haute qualité, il vous apportera des années de plaisir musical.

Le RA-1520 est un amplificateur complet, de très hautes performances, conçu pour reproduire toute la dynamique et les plus subtiles nuances de votre musique préférée. L'intégralité de sa conception a reposé sur le respect total de la dynamique et des plus infimes nuances de la musique. Il possède une alimentation parfaitement régulée, utilisant un transformateur torique spécialement conçu par Rotel, tout comme les condensateurs de type « slit-foil ». Cette alimentation à faible impédance possède une très grande réserve d'énergie qui lui permet de faire face aux signaux audio les plus exigeants. Ce type de conception est plus coûteux à fabriquer, mais est incontestablement meilleur pour la musique.

Le RA-1520 possède des circuits imprimés (PCB) avec des trajets du signal parfaitement symétriques « Symmetrical Circuit Traces ». Cela garantit un respect total des composantes temporelles de la musique, là où des pistes électriques de longueur différente pour les deux canaux détruisent cette homogénéité temporelle. Le RA-1520 utilise des résistances à couche métallique et les condensateurs au polystyrène ou polypropylène sont spécialement choisis, sur le trajet du signal audio, pour leur respect de la musique. Le câblage interne est également réduit au minimum afin d'obtenir la meilleure qualité sonore possible.

Le RA-1520 possède également des sélecteurs de source en lecture et en enregistrement séparés. Cela vous permet d'écouter une source pendant que vous en enregistrez une autre.

L'installation du RA-1520 est aussi simple que son utilisation. Si vous êtes déjà habitué à une autre installation hi-fi, vous ne rencontrerez aucun problème. Il suffit de brancher les maillons complémentaires et d'écouter !

Quelques précautions

Veillez lire très soigneusement ce manuel d'utilisation. Il vous indique tout ce qu'il faut savoir pour intégrer parfaitement cet amplificateur dans votre chaîne, et comment en tirer les performances optimales. Si vous vous posez ensuite encore des questions, veuillez contacter votre revendeur agréé Rotel, qui se fera un plaisir d'y répondre.

Déballer soigneusement le RA-1520, la télécommande et les accessoires. Conservez le carton d'emballage et tous ses composants. Il constitue le meilleur moyen pour transporter l'appareil dans le futur, sans risque de détérioration.

Remplissez et renvoyez la carte de garantie que vous avez trouvée dans l'emballage. Conservez également la facture de votre appareil : c'est la meilleure preuve de votre propriété et de la date réelle d'achat. Elle vous sera utile en cas de nécessité de retour au service après-vente.

Installation

Comme tous les appareils traitant des signaux de faible tension et intensité, le RA-1520 est relativement sensible à son environnement proche. Évitez de le poser sur un autre appareil, ce qui pourrait générer une sensibilité aux interférences émises par ce dernier. Évitez également de laisser les câbles de modulation près des câbles d'alimentation secteur. Vous éviterez ainsi d'éventuels parasites et ronflements.

Le RA-1520 génère de la chaleur pendant son fonctionnement normal. Ne bloquez donc pas ses ouïes de refroidissement. Il doit y avoir environ 10 cm de dégagement tout autour lui pour permettre le bon fonctionnement de sa ventilation, et une bonne circulation d'air tout autour du meuble qui le supporte.

Ne négligez non plus jamais le poids de l'amplificateur au moment du choix de son installation. Vérifiez la solidité de l'étagère ou du meuble chargés de le recevoir. Nous vous recommandons d'installer le RA-1520 dans un meuble spécialement destiné aux appareils hi-fi. De tels meubles adaptés réduisent ou suppriment également les vibrations, ce qui améliore la qualité sonore de tous les maillons de la chaîne. Pour de plus amples renseignements sur ce type de meuble et sur l'installation correcte des divers éléments de la chaîne haute-fidélité, veuillez vous adresser à votre revendeur agréé Rotel.

Le RA-1520 est livré d'origine avec la télécommande RR-AT94, que vous devrez utiliser en vue directe de capteur de réception placé en face avant de l'amplificateur pour son fonctionnement correct.

Câbles

Pendant l'installation, prenez un soin particulier aux trajets respectifs des câbles d'alimentation secteur, câbles de modulation analogique et câbles de signal numérique, afin d'éviter toute interférence entre eux. N'utilisez que des câbles de haute qualité, soigneusement blindés afin d'éviter toute dégradation du signal entre les maillons. Votre revendeur agréé Rotel est en mesure de vous apporter toute l'information nécessaire concernant le choix de câbles de liaison de qualité.

Télécommande

Le RA-1520 est livré avec une télécommande référence RR-AT94. Celle-ci vous permet de commander la majeure partie des fonctions du RA-1520 depuis votre place d'écoute favorite. Télécommande universelle, elle peut aussi commander les fonctions principales de certains lecteurs de CD, lecteurs de DVD et tuners AM/FM Rotel.

Contrôles audio

La RR-AT94 reprend la plupart des fonctions audio de base présentes en face avant du RA-1520. Lorsqu'une fonction est disponible à la fois en face avant et sur la télécommande, un nombre (voir l'illustration de la face avant) et une lettre (voir l'illustration de la télécommande) apparaissent dans les schémas au début de ce manuel. Par exemple, pour modifier le volume sonore, vous pouvez soit tourner le bouton de la face avant, soit presser sur deux touches de la télécommande. Si un seul identifiant apparaît, c'est que la commande correspondante n'est possible que sur la face avant, ou sur la télécommande, mais pas les deux en même temps.

Fonctions CD

Les touches de la télécommande PLAY, STOP, PAUSE, TRACK (plages) et RANDOM (lecture aléatoire), ainsi que le clavier numérique (0-10) permettent de piloter la majorité des lecteurs de CD Rotel, après avoir pressé la touche CD de la télécommande.

Fonctions DVD

Les touches de la télécommande PLAY, STOP, PAUSE, TRACK ± (plages) permettent de piloter la majorité des lecteurs de DVD Rotel, après avoir pressé la touche AUX 1 de la télécommande.

Fonctions tuner

Les touches BAND (gamme), TUNING (accord) ainsi que certaines fonctions additionnelles des tuners radio permettent de piloter la majorité des tuners Rotel, après avoir pressé la touche TUNER de la télécommande.

Note : Par défaut, la télécommande RR-AT94 fonctionne avec les tuners Rotel RT-1080/RT-961/RT-955. La télécommande peut toutefois être reprogrammée pour fonctionner avec le tuner RT-940AX. Cette programmation se fait de la manière suivante :
Pour programmer le RT-940AX : pressez simultanément les touches POWER et 2.

Pour programmer les RT-1080/RT-1082/RT-1084 : pressez simultanément les touches POWER et 1.

Capteur IR (infrarouge)

Le capteur infrarouge reçoit les signaux infrarouge envoyés par la télécommande. Ne masquez pas ce capteur, sinon la télécommande ne fonctionnera pas correctement.

Une exposition à une lumière trop vive (lumière du soleil directe, ou certains éclairages artificiels, comme les lampes halogène) peut également perturber la réception infrarouge. Enfin, n'oubliez pas de changer régulièrement les piles de la télécommande RR-AT94.

Note : Pour utiliser la télécommande, dirigez la télécommande vers la face avant du RA-1520.

Piles de la télécommande

Deux piles UM-4/AAA fournies doivent être installées dans la télécommande pour son fonctionnement. Pour installer ces piles, retirez le couvercle en face arrière de la télécommande RR-AT94. Installez les piles comme indiqué sur l'illustration gravée dans leur logement. Testez le bon fonctionnement de la télécommande, puis remettez en place le couvercle des piles. Lorsque les piles commenceront à être usées, la télécommande du RA-1520 ne fonctionnera plus correctement. Il suffira alors de remplacer les deux piles simultanément pour que tout rende dans l'ordre.

Prise d'entrée télécommande Remote In EXT REM

Cette prise jack 3,5 mm (repérée EXT REM IN) reçoit les codes de commande de n'importe quel récepteur infrarouge du commerce ou d'un clavier de télécommande de zone Rotel placé dans la pièce principale. Cette caractéristique est très utile si l'appareil est placé dans un meuble rendant invisible son capteur intégré, ou pour renvoyer les signaux infrarouges vers d'autres appareils.

Consultez votre revendeur agréé Rotel pour de plus amples informations sur ces récepteurs-émetteurs infrarouge externes, et pour connaître le câblage correct de la prise d'entrée 3,5 mm correspondante.

Note : Les signaux IR envoyés sur la prise EXT IN et ZONE IN peuvent être relayés via des maillons sources utilisant des émetteurs IR externes, ou via des connexions câblées depuis les prises repérées IR OUT. Voir le paragraphe suivant pour de plus amples informations.

Prise de sortie IR OUT

La prise 3,5 mm repérée IR OUT renvoie les signaux infrarouges reçus sur la prise EXTERNAL REM IN, vers un émetteur infrarouge placé devant la façade de n'importe quel appareil ou, de manière câblée, vers les appareils Rotel équipés de prises d'entrée IR compatibles sur leur face arrière.

Par exemple ces sorties permettent, en renvoyant les codes infrarouge, de piloter d'autres maillons alors que les récepteurs infrarouge de ceux-ci sont obstrués ou invisibles.

Consultez votre revendeur agréé Rotel pour de plus amples informations sur ces systèmes de répéteurs infrarouge.

Note : Retirez les piles de la télécommande si elle ne doit pas être utilisée pendant une longue période. Ne laissez jamais des piles usées dans la télécommande ; elles peuvent présenter des fuites de produits chimiques corrosifs susceptibles de l'endommager.

Sorties enceintes acoustiques

Voir Figure 3

Le RA-1520 possède deux jeux de prises pour deux paires d'enceintes acoustiques, l'un repéré « SPEAKER A » et l'autre « SPEAKER B ». Le choix de ces deux jeux de sorties est contrôlé par le sélecteur d'enceintes acoustiques en face avant.

Impédance des enceintes acoustiques

Si une seule paire d'enceintes acoustiques à la fois est utilisée en un temps donné, l'impédance minimum de chaque enceinte peut être de 4 ohms. Si vous pensez utiliser simultanément de temps en temps les deux paires A et B, l'impédance minimum de chaque enceinte acoustique ne doit pas être inférieure à 8 ohms. Souvent, il est difficile de connaître l'impédance réelle des enceintes acoustiques. Sachez que seuls quelques modèles très particuliers peuvent réellement poser des problèmes en utilisation normale au RA-1520. En cas de doute, consultez votre revendeur agréé Rotel.

Section du câble d'enceintes

Utilisez du câble deux conducteurs isolé pour relier le RA-1520 aux enceintes. La taille et la qualité du câble peuvent avoir de l'influence sur les performances musicales. Un câble standard fonctionnera, mais il peut présenter des limitations quant à la dynamique réellement reproduite ou à la qualité du grave, surtout sur de grandes longueurs. En général, un câble de plus fort diamètre entraîne une amélioration du son. Pour des performances optimales, penchez-vous sur l'offre en terme de câbles de très haute qualité. Votre revendeur agréé Rotel est en mesure de vous renseigner efficacement à ce sujet.

Polarité et mise en phase

La polarité – autrement dit l'orientation correcte du « + » et du « - » pour chaque branchement entre le RA-1520 et les enceintes acoustiques doit être respectée pour toutes les enceintes, afin que celles-ci soient toutes en phase. Si la phase d'une seule enceinte est inversée, il en résultera un manque de grave sensible et une dégradation importante de l'image stéréophonique. Tous les câbles sont repérés afin que vous puissiez identifier clairement leurs deux conducteurs. Soit les câbles sont différents (un cuivré, un argenté), soit la gaine est de couleur différente (filet de couleur), soit elle est gravée. Assurez-vous que vous repérez bien le conducteur repéré pour toutes les liaisons, et que vous respectez parfaitement la phase sur toutes les enceintes acoustiques, par rapport à l'entrée.

Branchement des enceintes 23 24

Éteignez tous les appareils avant de brancher les enceintes acoustiques. Le RA-1520 possède des prises rouges et noires repérées qui acceptent indifféremment du câble nu, des cosses ou fourches spéciales, ou encore des fiches banane (sauf en Europe, où les nouvelles normes CE l'interdisent).

Tirez le câble depuis le RA-1520 vers les enceintes acoustiques. Prévoyez suffisamment de longueur pour qu'il ne subisse aucune contrainte sur toute sa longueur et que vous puissiez déplacer les éléments sans qu'il soit tendu (accès aux prises de l'amplificateur).

Si vous utilisez des fourches, insérez-les à fond dans le logement offert par les prises et serrez fermement. Si vous utilisez du fil nu, dénudez tous les câbles sur une longueur suffisante, et torsadez les brins de chaque conducteur de telle manière qu'aucun brin ne puisse venir en contact avec un autre d'un autre conducteur (court-circuit). Suivant la taille des torsades, insérez-les dans les trous centraux des prises ou entourez-le autour des axes de celles-ci (sens des aiguilles d'une montre). Dans tous les cas, serrez fermement à la main les bornes vissantes.

Note : Vérifiez bien qu'il n'y ait aucun brin qui vienne en contact avec des brins ou la prise adjacente.

Branchements des signaux d'entrée

Voir Figure 3

Le RA-1520 possède des prises classiques de type RCA pour toutes ses entrées, une liaison entrée/sortie pour un enregistreur et une sortie préampli, pour envoyer le signal vers un amplificateur de puissance externe.

Note : Pour éviter tout risque de bruit parasite susceptible de détériorer tout ou partie du système, vérifiez que l'installation est éteinte avant de procéder à quelque branchement que ce soit.

Entrée Phono 15 et prise de masse 14

Branchez le câble en provenance de la platine tourne-disque dans les prises appropriées gauche et droite repérées Phono. Si la platine TD possède un câble de masse, branchez celui-ci dans la borne à vis spéciale à gauche des prises Phono. Cela élimine un éventuel ronflement.

Entrées niveau Ligne 19

Le RA-1520 possède trois paires d'entrées par prises classiques RCA, pour y brancher des sources comme les lecteurs de CD, DVD/Video, Tuner et Aux du RA-1520 sont des entrées « Niveau Ligne ». Ces entrées sont repérées CD, TUNER et AUX.

Les canaux gauche et droit sont clairement repérés et doivent être branchés sur les canaux correspondants de chaque source. Les prises gauches sont de couleur blanche, les prises droites sont de couleur rouge. N'utilisez que des câbles d'excellente qualité pour relier les sources au RA-1520. Contactez à ce sujet votre revendeur agréé Rotel.

Branchements de l'enregistreur 20 21

Les entrées et sorties repérées Tape peuvent être branchées sur n'importe quel enregistreur acceptant et produisant des signaux audio analogiques de niveau Ligne. Ce sera un magnétophone à bandes, ou un magnétocassette, ou un DAT ou MiniDisc utilisés sur leurs entrées et sorties analogiques. Vous disposez de jeux différents d'entrées/sorties, repérées TAPE 1 et TAPE 2.

Souvenez-vous que les sorties du RA-1520 doivent être branchées sur les entrées enregistrement de l'enregistreur ; inversement, les entrées du RA-1520 seront reliées sur les sorties lecture de l'enregistreur. Comme pour les autres maillons, respectez les canaux gauche et droit et n'utilisez que des câbles de très haute qualité.

Note : Les entrées Tape peuvent également être utilisées pour lire des sources conventionnelles (incapables d'enregistrer), en ne se servant pas des sorties enregistrement correspondantes.

Entrée Media Player 4

Une prise jack stéréo 3,5 mm « Media Player », pour « Lecteur audio » (baladeur MP3, par exemple), est disponible sur la façade du RA-1520, et sélectionnée sur le sélecteur de source en position AUX. N'importe quel lecteur de cassette portable, lecteur de disque ou disque dur peut être branché sur cette prise. N'oubliez pas, éventuellement, de régler le niveau sonore sur cette source portable pour le bon fonctionnement de cette entrée. Si le son est trop fort, avec beaucoup de distorsion, baissez le niveau sonore directement sur cette source. Au contraire, augmentez le volume sur la source si vous n'entendez que très faiblement le son au travers des enceintes, le bouton de volume du RA-1520 étant déjà réglé à une valeur élevée.

Note : Lorsque vous insérez une prise jack stéréo 3,5 mm, la commutation sur cette prise Media Player est automatique, entraînant simultanément la coupure de la source éventuellement branchée sur les prises repérées AUX en face arrière. Le retrait de cette prise permet de réutiliser automatiquement la source branchée sur les entrées AUX, à l'arrière de l'appareil. Sur la télécommande RR-AT94, utilisez les touches Volume + et – pour augmenter ou diminuer le volume sonore général.

Sorties préampli Preamp

Le RA-1520 propose une paire de sorties préampli, envoyant un signal préamplifié à gain variable sur un amplificateur de puissance ou processeur externe. Ces sorties sont au standard RCA, compatible avec les entrées de la majorité des amplificateurs de puissance. N'utiliser que des câbles de très haute qualité, et respectez bien les deux canaux gauche et droit lors du branchement de ces sorties de RA-1520 sur les deux canaux de l'amplificateur de puissance.

Alimentation électrique et mise en service

Prise d'alimentation secteur

Le RA-1520 ne consomme pas énormément de courant. Il peut donc être directement branché dans une prise murale deux broches. Évitez d'utiliser des câbles rallonges. Ne pas brancher le câble secteur avant d'avoir effectué tous les branchements audio, entrées et sorties. Un bloc multiprises peut être utilisé uniquement s'il est de qualité supérieure et capable de supporter suffisamment de courant pour tous les appareils branchés.

Votre amplificateur RA-1520 est configuré en usine, sa tension correcte étant indiquée sur sa face arrière (115 ou 230 volts, 50 ou 60 Hz). Branchez le câble d'alimentation fourni dans la prise correspondante, à l'arrière de l'appareil.

Note : Si vous devez déménager dans un autre pays, il est possible de modifier la tension d'alimentation de votre appareil. Cette modification est exclusivement réalisée en usine : demandez conseil à un revendeur agréé Rotel. Il n'y a pas de pièces susceptibles d'être modifiées ou de commandes à l'intérieur du coffret. Ne pas enlever son capot : vous risqueriez l'électrocution. Cela peut également endommager les circuits internes, et annule la garantie.

Si vous quittez votre domicile pendant une longue période (un mois ou plus), débranchez la prise d'alimentation secteur (de même que celles des autres maillons audio et vidéo).

Interrupteur de mise sous tension et indicateur Power

Pressez la touche Power de la façade pour allumer le RA-1520. Lorsque cette touche est pressée, la couronne lumineuse autour de lui s'allume, et la diode LED d'activation de la fonction MUTE s'allume également. Une nouvelle pression sur cette touche POWER éteint le RA-1520. Lorsque le RA-1520 est allumé via la touche POWER de sa face avant, vous pouvez ensuite le mettre en mode de veille Standby ou dans son mode de fonctionnement normal via la touche POWER de la télécommande RR-AT94.

Prise de commutation TRIGGER 12 V

Plusieurs maillons audio peuvent être mis sous tension effective par l'intermédiaire d'une tension de commutation 12 volts. Lorsque le RA-1520 est activé, une tension de 12 volts est présente sur cette prise et peut donc déclencher la mise sous tension d'un tel appareil. Lorsque le RA-1520 est mis en mode de veille Standby, la tension 12 volts disparaît, et le maillon ainsi commandé s'éteint également.

Commandes audio

Les commandes suivantes sont utilisées pour faire fonctionner le RA-1520.

Contrôle de VOLUME et

Le bouton de VOLUME en face avant permet de diminuer (sens inverse des aiguilles d'une montre) ou d'augmenter (sens des aiguilles d'une montre) le volume sonore. Sur la télécommande RR-AT94, les touches repérées VOL assurent cette même fonction.

Contrôle de BALANCE

Ce contrôle permet d'ajuster la balance gauche-droite du signal sonore. Normalement, cette commande doit se trouver en position centrale, à zéro. Dans certaines situations, généralement lorsque la position d'écoute n'est pas parfaitement centrée entre les deux enceintes acoustiques, il peut être nécessaire de modifier plus ou moins cet équilibre central. Une rotation dans le sens contraire des aiguilles d'une montre privilégie le canal de gauche. Dans le sens des aiguilles d'une montre, le niveau augmente sur le canal de droite.

Correcteurs grave et aigu BASS et TREBLE

Ces deux commandes rotatives en face avant permettent d'effectuer une correction grave (BASS) et/ou aigu (TREBLE) sur la balance tonale du son. Si aucun réglage n'est souhaité, les circuits correspondants peuvent être désactivés en utilisant le commutateur de mise hors service des correcteurs, repéré TONE On/Off.

Mise en/hors service des correcteurs de timbre TONE On/Off

Lorsque cette commande Tone Switch est en position Off (relâchée), les circuits de correction grave et aigu sont volontairement court-circuités et donc inactifs, afin de conserver le son le plus pur possible. Laisser ce sélecteur dans cette position, tant que vous ne souhaitez pas modifier l'équilibre des timbres en modifiant les réglages grave ou aigu.

Sélecteur de source en écoute LISTENING

Le sélecteur « LISTENING » permet de choisir la source que l'on désire écouter, c'est-à-dire celle qui est envoyée sur le circuit de l'amplificateur. C'est, plus simplement, la source que vous désirez écouter. Tournez le sélecteur de la face avant, ou appuyez sur la touche correspondante de la télécommande RR-AT94 pour écouter la source correspondante.

Sélecteur de source en enregistrement RECORDING

Le RA-1520 peut enregistrer à partir de n'importe quelle source (exceptée TAPE 2) sur un enregistreur branché sur les prises TAPE 1 ou TAPE 2. Pour choisir la source à enregistrer, tourner le sélecteur RECORDING de la face avant sur la position (source) désirée.

Cette sélection est indépendante de celle effectuée pour la source écoutée simultanément. Pendant un enregistrement, vous pouvez écouter n'importe quelle autre source en la sélectionnant via le bouton LISTENING.

Si vous possédez un enregistreur trois têtes ou de type DAT, vous pouvez parfaitement effectuer simultanément les opérations d'enregistrement d'une source et d'écoute du résultat enregistré, en utilisant sur le sélecteur d'écoute LISTENING la position TAPE 1.

Note : Si vous sélectionnez TAPE 1 avec le sélecteur d'enregistrement RECORDING, le signal enregistré ne sera disponible que sur les sorties enregistrement TAPE 2, et pas sur les sorties TAPE 1. Pour copier une bande, choisissez TAPE 1 et enregistrez sur le magnétophone branché sur les prises de sortie TAPE 2.

Touche silence MUTE

Pour couper temporairement le son du système, pressez la touche repérée MUTE sur la télécommande RR-AT94. Pressez de nouveau sur cette touche pour rétablir le volume sonore exactement au niveau où il se trouvait au préalable. La diode LED intégrée au bouton de volume clignote pendant que cette fonction Mute est activée.

Sortie casque PHONES

La prise casque repérée PHONES permet de brancher un casque d'écoute, pour écoute solitaire. Cette prise accepte un mini-jack stéréo 3,5 mm.

Si votre casque est équipé d'une prise jack 6,35 mm, vous aurez besoin d'un adaptateur. Contactez votre revendeur agréé Rotel pour acheter l'adaptateur correct.

Note : Le fait de brancher un casque dans la prise PHONES ne coupe pas le son envoyé vers les enceintes acoustiques. Pour cela, utilisez le sélecteur d'enceintes SPEAKERS, afin de couper le son envoyé aux enceintes.

Sélecteur enceintes SPEAKERS

Un sélecteur rotatif à quatre positions, sur la face avant, permet de choisir la paire d'enceintes acoustiques réellement activée. Réglez le sélecteur SPEAKERS de la manière suivante :

OFF : Aucune enceinte n'est audible. Utilisez cette position pour écouter uniquement au casque.

A : Les enceintes branchées sur les prises repérées « A » sont activées.

B : Les enceintes branchées sur les prises repérées « B » sont activées.

A+B : Les enceintes branchées sur les prises repérées « A » et « B » sont activées.

Circuit de protection

Indicateur de protection

Un circuit de protection thermique protège l'amplificateur contre des conditions de fonctionnement dépassant les possibilités techniques de l'appareil. Contrairement à la majorité des autres amplificateurs, ce circuit de protection du RA-1520 est totalement indépendant du trajet du signal audio, et n'a donc aucune influence négative sur la qualité sonore. Ce circuit mesure en permanence la température de fonctionnement des composants en sortie, et coupe l'alimentation si celle-ci dépasse une certaine valeur.

De plus, le RA-1520 intègre un circuit de protection contre les dépassements de courant pouvant intervenir quand l'impédance de charge est trop faible. Cette protection est indépendante pour chaque canal, et est indiquée par allumage de la diode LED Protection en face avant.

En pratique, il y a fort peu de chances que ce circuit intervienne. Mais si c'est le cas, l'amplificateur s'arrête et la diode LED de protection sur la face avant s'allume.

Dans ce cas-là, éteignez l'amplificateur, et laissez refroidir pendant plusieurs minutes. Profitez-en pour vérifier qu'il n'y a pas un problème physique de fonctionnement (court-circuit, etc.). Lors de la nouvelle mise sous tension, le circuit de protection sera automatiquement réenclenché, et la diode PROTECTION LED s'éteindra.

Les cas les plus fréquents de la mise en service de la protection sont, soit la présence d'un court-circuit en sortie (fils des enceintes en contact entre deux bornes), soit une température excessive due à l'absence de refroidissement suffisant de l'amplificateur. Dans de très rares cas, une enceinte très réactive ou à l'impédance de charge très basse pourrait entraîner l'activation du circuit de protection.

Problèmes de fonctionnement

La majorité des problèmes dans une chaîne haute-fidélité provient de mauvais branchements, ou de sélecteurs ou commandes mal positionnés. En cas de difficulté, essayez de cerner le problème (quelle source, quel canal, etc.), vérifiez la position des différents interrupteurs et sélecteurs et effectuez les modifications nécessaires. Si aucun son ne sort de votre RA-1520, vérifiez les points suivants :

La diode Power ne s'allume pas

La diode POWER doit être allumée lorsque le RA-1520 est relié au secteur. Vérifiez que la prise murale est bien enfoncée, le bouton Power pressé. Vérifiez que la prise est bien alimentée, en branchant par exemple une lampe d'éclairage à la place du RA-1520. Vérifiez qu'il n'y ait pas d'interrupteur général sur la prise utilisée pour l'alimentation du RA-1520.

Remplacement du fusible

Si un autre appareil fonctionne parfaitement dans la même prise secteur murale, le fusible de protection interne du RA-1520 a peut-être fondu. Veuillez dans ce cas contacter votre revendeur agréé Rotel qui se chargera de le vérifier et éventuellement de le changer.

Pas de son

Vérifiez la présence réelle de signal à la source choisie sur le sélecteur LISTENING. Vérifiez que tous les branchements sont correctement effectués. Vérifiez que le sélecteur SPEAKERS est bien positionné sur la position correcte. Vérifiez une fois encore tous les câbles entre le RA-1520 et les enceintes acoustiques.

L'indicateur Protection s'allume

Cet indicateur s'allume lorsque le circuit de protection interne du RA-1520 entre en service. En pratique, cela n'intervient que si deux fils se touchent en sortie enceintes acoustiques, ou si la température de fonctionnement atteint un niveau trop élevé, par exemple après de longues minutes de fonctionnement à la limite de la puissance disponible. Éteignez l'amplificateur et attendez qu'il soit totalement refroidi. Puis appuyez de nouveau sur la touche de mise sous tension Power, ce qui réarmera simultanément le circuit de protection. Si le problème n'est pas résolu, c'est que la cause est plus grave et nécessite une réparation.



Conflits entre télécommandes (codes IR)

Rotel utilise les mêmes codes de commande infrarouge pour tous ses appareils audio. Dans un système utilisant plusieurs maillons Rotel, les codes de commande qui sont fournis pour un maillon donné peuvent donc interférer avec les codes de commande d'un second appareil. La RR-AT94 et le RA-1520 peuvent être réglés sur d'autres codes de commande, pour éliminer ce type de conflits.

Pour changer les codes IR de la RR-AT-94, pressez la touche Phono et la touche 2 simultanément. Pour changer les codes IR du TC-1550, pointez la RR-AT94 vers le RA-1520, puis pressez la touche 2 pendant au moins 5 secondes. La diode lumineuse du contrôle de volume doit clignoter, indiquant que le code IR a été modifié.

Note : Après avoir modifié les codes de télécommande avec le préamplificateur comme nous venons de l'indiquer, la télécommande ne fonctionnera plus avec des tuners Rotel. Pour revenir au fonctionnement d'origine de la RR-AT94, pressez les touches Phono et 1 en même temps. Pour revenir aux codes de contrôle par défaut entre la RR-AT94 et le RA-1520, dirigez la télécommande vers la face avant du RA-1520 puis pressez et maintenez la pression pendant au moins 5 secondes sur la touche 1 de la télécommande. La diode lumineuse du contrôle de volume doit clignoter, indiquant que le code IR a bien été modifié.

Remise à zéro des codes infrarouge (IR)

Si vous souhaitez remettre à zéro les codes IR, pressez la touche MUTE  de la télécommande RR-AT94 pendant au moins 5 secondes, tout en la pointant vers le RA-1520. L'appareil se remettra dans sa condition de fonctionnement d'origine et la diode LED de la source CD  s'allumera pour indiquer la remise à zéro effective des codes infrarouge. Veuillez contacter votre revendeur agréé Rotel pour de plus amples informations à ce sujet.

Spécifications

Puissance de sortie continue (20 Hz – 20 kHz, DHT < 0,03 %, 8 ohms)	60 watts par canal
Distorsion harmonique totale (20 Hz — 20 kHz)	< 0,03 %
Distorsion d'intermodulation totale (60 Hz : 7 kHz, 4 : 1)	< 0,03 %
Réponse en fréquence	
Entrée Phono	20 – 15 kHz ± 0,2 dB
Entrées niveau Ligne	10 Hz — 100 kHz ± 3 dB
Facteur d'amortissement (20 Hz – 20 kHz, 8 ohms)	150
Sensibilité/impédance d'entrée	
Entrées niveau Ligne	170 mV/24 kilohms
Entrée Phono	2,8 mV/47 kilohms
Saturation en entrée (Phono)	170 mV
Niveau de sortie nominal préampli/impédance	1 volt / 470 ohms
Rapport signal/bruit (IHF pondéré A)	> 95 dB
Alimentation	
USA :	120 volts, 60 Hz
Europe :	230 volts, 50 Hz
Consommation maximum	300 watts
Dimensions (L x H x P)	431 x 99 x 339 mm
Hauteur face avant	2U (88,1 mm)
Poids	7,8 kg

Toutes les spécifications sont certifiées exactes au moment de l'impression.

Rotel se réserve le droit d'améliorer les performances sans préavis.

Rotel et le logo Rotel sont des marques déposées de The Rotel Co, Ltd., Tokyo, Japon

Wichtige Sicherheitshinweise

WARNUNG: Im Innern des Gerätes befinden sich keine vom Bediener zu wartenden Teile. Alle Servicearbeiten müssen von qualifiziertem Servicepersonal durchgeführt werden.

WARNUNG: Zum Schutz vor Feuer oder einem elektrischen Schlag darf das Gerät weder Feuchtigkeit noch Wasser ausgesetzt werden. Achten Sie darauf, dass keine Spritzer in das Gerät gelangen. Stellen Sie keine mit Flüssigkeit gefüllten Gegenstände (z. B. Vasen) auf das Gerät. Das Eindringen von Gegenständen in das Gehäuse ist zu vermeiden. Sollte das Gerät trotzdem einmal Feuchtigkeit ausgesetzt sein oder ein Gegenstand in das Gehäuse gelangen, so trennen Sie es sofort vom Netz. Lassen Sie es von einem Fachmann prüfen und die notwendigen Reparaturarbeiten durchführen.

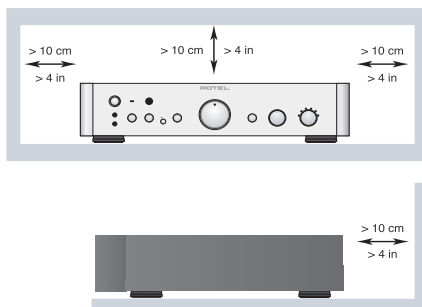
Lesen Sie sich alle Hinweise vor dem Anschließen und dem Betrieb des Gerätes genau durch.

Bewahren Sie die Bedienungsanleitung so auf, dass Sie jederzeit Zugriff auf diese Sicherheitshinweise haben.

Alle Warn- und Sicherheitshinweise in dieser Bedienungsanleitung und auf dem Gerät müssen genau beachtet werden. Außer den beschriebenen Handgriffen sind vom Bediener keine Arbeiten am Gerät vorzunehmen.

Reinigen Sie das Gehäuse nur mit einem weichen, trockenen Tuch oder einem Staubsauger.

Nutzen Sie das Gerät nicht in der Nähe von Wasser.



Stellen Sie sicher, dass um das Gerät ein Freiraum von 10 cm gewährleistet ist.

Stellen Sie das Gerät weder auf ein Bett, Sofa, Teppich oder ähnliche Oberflächen, damit die Ventilationsöffnungen nicht verdeckt werden. Das Gerät sollte nur dann in einem Regal oder in einem Schrank untergebracht werden, wenn eine ausreichende Luftzirkulation gewährleistet ist.

Stellen Sie das Gerät nicht in die Nähe von Wärmequellen (Heizkörper, Wärmespeicher, Öfen oder sonstige wärmeerzeugende Geräte).

WARNUNG: Die Verbindung mit dem Netz kann nur über den Netzstecker an der Geräterückseite unterbrochen werden. Das Gerät muss so aufgestellt werden, dass Sie freien Zugriff auf den Netzstecker haben.

Bevor Sie das Gerät in Betrieb nehmen, prüfen Sie, ob die Betriebsspannung mit der örtlichen Netzspannung (Europa: 230 V/50 Hz) übereinstimmt. Die Betriebsspannung ist an der Rückseite des Gerätes angegeben.

Schließen Sie das Gerät nur mit dem dazugehörigen zweipoligen Netzstecker an die Wandsteckdose an. Modifizieren Sie das Netzsteckkabel auf keinen Fall. Versuchen Sie nicht, die Erdungs- und/oder Polarisationsvorschriften zu umgehen. Das Netzsteckkabel sollte an eine zweipolige Wandsteckdose angeschlossen werden. Verwenden Sie keine Verlängerungskabel.

Netzstecker sind so zu verlegen, dass sie nicht beschädigt werden können (z. B. durch Trittbelastung, Möbelstücke oder Erwärmung). Besondere Vorsicht ist dabei an den Steckern, Verteilern und den Anschlussstellen des Gerätes geboten.

Bei Gewitter oder wenn Sie das Gerät für eine längere Zeit nicht in Betrieb nehmen ziehen Sie den Netzstecker aus der Steckdose.

Dieses Gerät sollte, wie andere Elektrogeräte auch, nicht unbeaufsichtigt betrieben werden.

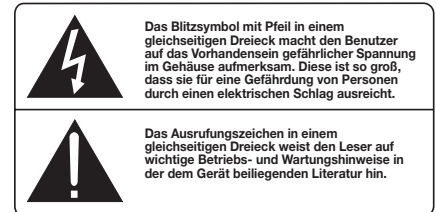
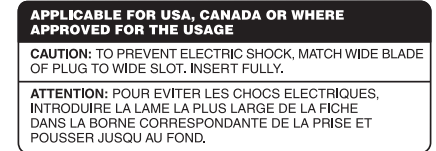
Benutzen Sie nur vom Hersteller empfohlenes Zubehör.

Verwenden Sie nur von Rotel empfohlene Transportmittel, Racks, Halterungen oder Regalsysteme. Seien Sie vorsichtig, wenn Sie das Gerät in einem Ständer oder Rack bewegen, um Verletzungen durch Umkippen vorzubeugen.

Verwenden Sie gemäß Class 2 isolierte Lautsprecherkabel, um eine ordnungsgemäße Installation zu gewährleisten und die Gefahr eines elektrischen Schlages zu minimieren.

Schalten Sie das Gerät sofort aus und ziehen Sie geschultes Fachpersonal zu Rate, wenn:

- das Netzsteckkabel oder der Stecker beschädigt sind,
- Gegenstände bzw. Flüssigkeit in das Gerät gelangt sind,
- das Gerät Regen ausgesetzt war,
- das Gerät nicht ordnungsgemäß funktioniert bzw. eine deutliche Leistungsminderung aufweist,
- das Gerät hingefallen ist bzw. beschädigt wurde.



Rotel-Produkte entsprechen den internationalen Richtlinien über die Beschränkung der Verwendung bestimmter gefährlicher Stoffe in Elektro- und Elektronikgeräten (Restriction of Hazardous Substances (kurz RoHS genannt)) und über Elektro- und Elektronik-Altgeräte (Waste Electrical and Electronic Equipment (WEEE)). Die durchgestrichene Mülltonne steht für deren Einhaltung und besagt, dass die Produkte ordnungsgemäß recycelt oder diesen Richtlinien entsprechend entsorgt werden müssen.



 Dieses Symbol bedeutet, dass das Gerät doppelt isoliert ist. Es muss daher nicht geerdet werden.



Inhalt

Figure 1: Bedienelemente und Anschlüsse	3
Figure 2: Fernbedienung RR-AT94	3
Figure 3: Signaleingang und Anschluss eines Lautsprecherpaares	4
Wichtige Hinweise	5
Wichtige Sicherheitshinweise	20
Die Firma Rotel	21
Ein Wort zur Leistungsangabe	21
Zu dieser Anleitung	22
Einige Vorsichtsmaßnahmen	22
Aufstellung des Gerätes	22
Kabel	22
Fernbedienung	22
Audiofunktionen (A)(B)(C)(E)	22
CD-Funktionen (D)(G)	23
DVD-Funktionen (G)	23
Tuner-Funktionen (D)(F)	23
Fernbedienungssensor [3]	23
Batterien der Fernbedienung	23
EXT REM IN-Anschluss [16]	23
IR OUT-Buchse [17]	23
Lautsprecherausgänge	23
Auswahl der Lautsprecher	23
Auswahl der Lautsprecherkabel	23
Polarität und Phasenabgleich	24
Anschluss der Lautsprecher [23][24]	24
Eingangssignalanschlüsse	24
Phonoeingang [15] und Masseanschluss [14]	24
Hochpegelgänge [19]	24
TAPE-Anschlüsse [20][21]	24
Media Player-Anschluss [4]	24
Preamp-Ausgänge [22]	24
Netzspannung und Bedienung	25
Netzgang [25]	25
POWER-Schalter und POWER-Anzeige [1]	25
12V TRIGGER OUT-Anschluss [18]	25
Audiofunktionen	25
Lautstärkereglern [10](C)	25
Balance-Steller [11]	25
BASS und TREBLE [7][9]	25
TONE-Schalter [8]	25
LISTENING-Wahlschalter [13](B)	25
RECORDING-Wahlschalter [12]	25
MUTE-Taste (A)	25
Kopfhörerbuchse (PHONES) [5]	25
Speakers-Wahlschalter [6]	26
Schutzschaltung	26
PROTECTION-LED [2]	26
Bei Störungen	26
Die POWER-Anzeige leuchtet nicht	26
Austauschen der Sicherung	26
Kein Ton	26
PROTECTION-LED leuchtet	26
Probleme mit den Fernbedienungscodes	26
IR-Code zurücksetzen	27
Technische Daten	27

Die Firma Rotel

Unsere Geschichte begann vor ungefähr 50 Jahren. In den folgenden Jahrzehnten haben wir Hunderte von Auszeichnungen für unsere Produkte erhalten und unzähligen Menschen echten Hörgenuss bereitet, denen gute Unterhaltung wichtig ist.

Rotel wurde von einer Familie gegründet, deren Interesse an Musik so groß war, dass sie beschloss, hochwertigste HiFi-Produkte herzustellen und Musikliebhabern ungeachtet ihres Geldbeutels einen außergewöhnlichen Wert zukommen zu lassen. Ein Ziel, das von allen Rotel-Mitarbeitern verfolgt wird.

Die Ingenieure arbeiten als Team eng zusammen. Sie hören sich jedes neue Produkt an und stimmen es klanglich ab, bis es den gewünschten Musikstandards entspricht. Die eingesetzten Bauteile stammen aus verschiedenen Ländern und wurden ausgewählt, um das jeweilige Produkt zu optimieren. So finden Sie in Rotel-Geräten Kondensatoren aus Großbritannien und Deutschland, Halbleiter aus Japan oder den USA und direkt bei Rotel gefertigte Ringkerntransformatoren.

Wir fühlen uns unserer Umwelt gegenüber verpflichtet. Und da immer mehr Elektronik produziert wird und später entsorgt werden muss, ist es von Herstellerseite besonders wichtig, Produkte zu entwickeln, die unsere Mülldeponien und Gewässer möglichst wenig belasten.

Rotel ist stolz darauf, seinen Beitrag zu leisten. So konnten wir den Bleianteil in unserer Elektronik durch bleifreies Lötten reduzieren. Unsere neuen Class-D-Verstärker (nicht digital) arbeiten bis zu 5-mal effizienter als ältere Verstärker-Designs, ohne dabei an Leistung und Performance zu verlieren. Mit ihren geringeren Wärmeverlusten schonen diese Produkte nicht nur die Umwelt, sie überzeugen auch klanglich.

Last, not least ist diese Anleitung auf Recyclingpapier gedruckt.

Dies sind zwar kleine, aber wichtige Schritte. Und wir forschen weiter nach Verfahren und Materialien für einen saubereren und umweltfreundlicheren Herstellungsprozess.

Vielen Dank, dass Sie sich für dieses Rotel-Produkt entschieden haben. Wir sind sicher, dass Sie in den nächsten Jahren viel Freude daran haben werden.

Ein Wort zur Leistungsangabe

Die Ausgangsleistung des RA-1520 wird mit 60 Watt pro Kanal angegeben, wenn beide Kanäle gleichzeitig die volle Ausgangsleistung liefern. Rotel spezifiziert die Ausgangsleistung auf diese Weise, da nach unserer Erfahrung hiermit das tatsächliche Leistungspotenzial des Receivers oder Verstärkers widerspiegelt wird.

Beim Vergleich der technischen Daten verschiedener Hersteller sollten Sie sich darüber im Klaren sein, dass die Ausgangsleistung oftmals auf unterschiedliche Weise angegeben wird, so dass kein direkter Vergleich möglich ist.

Wird die Ausgangsleistung beispielsweise bei einem aktiven Kanal gemessen, so liegt der Maximalwert höher.

Die Impedanz eines Lautsprechers steht für den elektrischen Widerstand oder die Last, die er für den Verstärker darstellt. Sie liegt in der Regel bei 8 oder 4 Ohm. Je geringer die Impedanz, desto höher ist die benötigte Leistung. So ist für den Antrieb eines 4-Ohm-Lautsprechers die doppelte Leistung erforderlich wie für einen 8-Ohm-Lautsprecher.

Daher sind Rotel-Verstärker so ausgelegt, dass sie mit jedem Lautsprecher mit einer Impedanz zwischen 8 und 4 Ohm arbeiten können, wobei alle Kanäle dabei die angegebene Ausgangsleistung liefern. Da das Rotel-Design so optimiert wurde, dass der gleichzeitige Betrieb aller Kanäle möglich ist, kann Rotel die tatsächliche Ausgangsleistung für beide Kanäle angeben.

Zu dieser Anleitung

Vielen Dank, dass Sie sich für den Rotel-Stereo-Vollverstärker RA-1520 entschieden haben. Dieses einzigartige Gerät kann optimal in jedem hochwertigen Audiosystem eingesetzt werden.

Der RA-1520 überzeugt durch höchste Wiedergabequalität und ist mit einer Vielzahl von Ausstattungsmerkmalen ausgestattet. Bei seiner Entwicklung wurde besonderer Wert darauf gelegt, den kompletten Dynamikbereich und feinste Nuancen der Musik wiederzugeben. Der RA-1520 überzeugt mit einem großzügig dimensionierten Netzteil mit Ringkerntransformator und Slit-Foil-Siebkondensatoren. Dieses niederohmige Netzteil hat extreme Leistungsreserven, die es dem Vollverstärker ermöglichen, die anspruchsvollsten Musiksignale zu verarbeiten. Zwar ist diese Konstruktion teurer in der Herstellung, die Musikwiedergabe jedoch profitiert davon deutlich.

Die Signalwege sind streng symmetrisch gehalten, um Laufzeitunterschiede in den Kanälen zu verhindern. Auf der Platine werden Metallfilmwiderstände und Polystyrol- bzw. Polypropylenkondensatoren eingesetzt, die die Signale klanggetreu übertragen. Alle Aspekte dieser Konstruktion dienen nur dem Ziel der möglichst originalgetreuen Wiedergabe von Musik.

Darüber hinaus verfügt der RA-1520 über separate Bedienelemente für das Hören und das Aufnehmen. So können Sie sich eine Signalquelle anhören, während Sie die andere aufnehmen.

Der RA-1520 ist einfach zu installieren und zu bedienen. Sollten Sie bereits Erfahrung mit der Installation anderer Stereosysteme haben, dürfen keinerlei Probleme auftreten. Schließen Sie einfach die gewünschten Geräte an und genießen Sie die Musik.

Einige Vorsichtsmaßnahmen

Lesen Sie sich die Bedienungsanleitung bitte vor der Inbetriebnahme genau durch. Neben grundsätzlichen Installations- und Bedienungshinweisen (bitte beachten Sie auch die Sicherheitshinweise am Anfang der Bedienungsanleitung) enthält sie allgemeine Informationen, die Ihnen helfen werden, Ihr System mit seiner maximalen Leistungsfähigkeit zu betreiben. Bitte setzen Sie sich bei etwaigen Fragen mit Ihrem autorisierten Rotel-Fachhändler in Verbindung.

Bewahren Sie den Versandkarton und das übrige Verpackungsmaterial des RA-1520 für einen eventuellen späteren Einsatz auf. Der Versand oder Transport des Vollverstärkers in einer anderen als der Originalverpackung kann zu erheblichen Beschädigungen des Gerätes führen.

Schicken Sie die Ihrem Vollverstärker beiliegende Garantieanforderungskarte ausgefüllt an den Rotel-Distributor in Ihrem Land. Bewahren Sie bitte die Original-Kaufquittung auf. Sie belegt am besten das Kaufdatum, das für Sie wichtig wird, sobald Sie eine Garantieleistung in Anspruch nehmen.

Aufstellung des Gerätes

Wie bei allen anderen Audiokomponenten auch, kann die Signalqualität des RA-1520 durch andere Geräte beeinträchtigt werden. Stellen Sie den Vollverstärker daher nicht auf andere Geräte. Auch sollten die Audiosignalkabel nicht neben den Netzkabeln verlaufen, um Rauschen oder Interferenzen zu vermeiden.

Der RA-1520 erwärmt sich während des Betriebes. Die entstehende Wärme kann unter normalen Bedingungen über die Kühlrippen und Ventilationsöffnungen abgeführt werden. Die Ventilationsöffnungen an der Oberseite dürfen nicht verdeckt werden. Um das Gerät muss ein Freiraum von 10 cm und am Aufstellungsort eine ausreichende Luftzirkulation gewährleistet sein, um einer Überhitzung des Vollverstärkers vorzubeugen.

Berücksichtigen Sie beim Aufstellen das Gewicht des Vollverstärkers. Wir empfehlen, ihn in entsprechendem HiFi-Mobiliar unterzubringen. HiFi-Mobiliar ist so ausgelegt, dass klangbeeinträchtigende Erschütterungen gedämpft bzw. unterdrückt werden. Lassen Sie sich von Ihrem autorisierten Rotel-Fachhändler in Bezug auf HiFi-Mobiliar und die optimale Aufstellung von Audiokomponenten beraten.

Zum Lieferumfang des RA-1520 gehört die Fernbedienung RR-AT94. Stellen Sie das Gerät so auf, dass die Infrarotsignale der Fernbedienung direkt zum Fernbedienungssensor an der Gerätefront gesendet werden können.

Kabel

Achten Sie bitte darauf, dass Netz-, Digital- und die normalen Audiosignalkabel separat verlaufen. Dies minimiert die Wahrscheinlichkeit, dass Netz- bzw. Digitalkabel die Signale der Analogkabel stören. Wir empfehlen, hochwertige abgeschirmte Kabel zu verwenden. Wenden Sie sich bei etwaigen Fragen zu den optimalen Kabeln für Ihr System an Ihren autorisierten Rotel-Fachhändler.

Fernbedienung

Dem RA-1520 liegt die Fernbedienung RR-AT94 bei, über die viele Funktionen des RA-1520 sowie die Grundfunktionen einiger CD-Player, DVD-Player und AM/FM-Tuner von Rotel gesteuert werden können.

Audiofunktionen **A** **B** **C** **E**

Die grundlegenden Audiofunktionen an der Gerätefront des RA-1520 können auch über die Fernbedienung RR-AT94 gesteuert werden. Einige Funktionen stehen sowohl über die Bedienelemente an der Gerätefront als auch auf der beiliegenden Fernbedienung zur Verfügung. In diesem Fall wird in dieser Anleitung eine Hinweiszahl und ein Buchstabe angegeben. So können Sie die Lautstärke beispielsweise über den Lautstärkeregler an der Gerätefront oder die Tasten auf der Fernbedienung verändern. Erscheint nur eine Zahl oder ein Buchstabe, so kann diese Funktion nur über die Gerätefront oder über die Fernbedienung eingestellt werden.

CD-Funktionen

Über die Tasten PLAY, STOP, PAUSE, TRACK und RANDOM sowie die ZIFFERTASTEN 0 – 10 können viele Rotel-CD-Player gesteuert werden, nachdem die CD-Taste auf der Fernbedienung gedrückt wurde.

DVD-Funktionen

Über die Tasten PLAY, STOP, PAUSE und TRACK können viele Rotel-DVD-Player gesteuert werden, nachdem die AUX1-Taste auf der Fernbedienung gedrückt wurde.

Tuner-Funktionen

Über die Tasten BAND, TUNING und zusätzliche Tasten mit Tuning-Features können Rotel-Tuner gesteuert werden, nachdem die TUNER-Taste auf der Fernbedienung gedrückt wurde.

Hinweis: Die RR-AT94 ist so voreingestellt, dass die Rotel-Tuner RT-1080/RT-1082/RT-1084 ferngesteuert werden können. Durch Umprogrammieren ist auch die Fernsteuerung des Tuners RT-940AX möglich. Dieser Vorgang muss nur einmal durchgeführt werden:

Programmierung zur Fernbedienung des RT-940AX:

Drücken Sie gleichzeitig die Tasten POWER und 2.

Programmierung zur Fernbedienung von RT-1080/

RT-1082/RT-1084: Drücken Sie gleichzeitig die Tasten POWER und 1.

Fernbedienungssensor

Der Fernbedienungssensor empfängt die Infrarotsignale der Fernbedienung. Verdecken Sie den Sensor nicht, da ansonsten kein ordnungsgemäßer Betrieb der Fernbedienung gewährleistet ist.

Fehlfunktionen können auftreten, wenn der Fernbedienungssensor hellem Sonnenlicht oder bestimmten Leuchtmitteln (wie beispielsweise Halogenlicht) ausgesetzt ist oder die Batterien in der RR-AT94 verbraucht sind.

HINWEIS: Möchten Sie die Fernbedienung nutzen, so richten Sie sie auf den Fernbedienungssensor an der Gerätefront des RA-1520.

Batterien der Fernbedienung

Die beiden beiliegenden Batterien (UM-4/AAA) müssen eingelegt werden, bevor Sie die Fernbedienung nutzen können. Um die Batterien zu installieren, drehen Sie die Fernbedienung um. Auf der Rückseite befindet sich der Batteriefachdeckel. Entfernen Sie ihn und legen Sie nun die beiden Batterien entsprechend der auf dem Batteriefachboden angegebenen Polarität ein. Prüfen Sie, ob die Fernbedienung ordnungsgemäß funktioniert und schieben Sie den Batteriefachdeckel wieder auf. Werden die Batterien schwach, so funktioniert die Fernbedienung nicht mehr richtig. Dann sollten Sie neue Batterien einsetzen.

EXT REM IN-Anschluss

Diese 3,5-mm-Anschlussbuchse empfängt die Befehlscodes eines Infrarotempfängers oder Rotel-Keypads. Sie wird genutzt, wenn die von einer Fernbedienung gesendeten Infrarotsignale nicht den Fernbedienungssensor an der Gerätefront erreichen können.

Lassen Sie sich bezüglich externer Empfänger und der geeigneten Verkabelung für die EXT REM IN-Buchse von Ihrem autorisierten Fachhändler beraten.

HINWEIS: Die Infrarotsignale der EXT REM IN-Buchse können über externe Infrarotsender oder über Kabelverbindungen mit den IR OUT-Buchsen zu anderen Komponenten weitergeleitet werden.

IR OUT-Buchse

Die 3,5-mm- und mit IR OUT gekennzeichnete Anschlussbuchse sendet von der EXT REM IN-Buchse empfangene Infrarotsignale zu einem Infrarotsender oder zu Rotel-CD-Playern, -DVD-Playern oder -Tunern mit einem entsprechenden IR-Anschluss an der Geräterückseite. Dieser Ausgang ermöglicht es beispielsweise, Infrarotsignale einer Fernbedienung zu übertragen, wenn die Sensoren an diesen Geräten durch den Einbau in einen Schrank verdeckt sind.

Weitere Informationen zu Infrarotsendern und -empfängern kann Ihnen Ihr autorisierter Rotel-Fachhändler geben.

HINWEIS: Entfernen Sie die Batterien aus der Fernbedienung, wenn diese über einen längeren Zeitraum nicht benutzt wird. Lassen Sie keine verbrauchten Batterien in der Fernbedienung. Diese können auslaufen und das Gerät beschädigen.

Lautsprecherausgänge

Siehe Figure (Abb.) 3

Der RA-1520 verfügt an der Rückseite über zwei Lautsprecherausgänge, die mit SPEAKER A und SPEAKER B gekennzeichnet sind. Über den Lautsprecherwahlschalter (SPEAKERS) an der Gerätefront kann eingestellt werden, welche Lautsprecher spielen sollen.

Auswahl der Lautsprecher

Wird zu einem bestimmten Zeitpunkt nur ein Lautsprecher-Set angeschlossen, so können Sie dazu Lautsprecher mit einer Impedanz von 4 Ohm nutzen. Werden an alle Anschlussklemmen (also SPEAKER A und B) Lautsprecher angeschlossen, so muss jeder von ihnen eine Impedanz von mindestens 8 Ohm aufweisen. Die Angaben bezüglich der Impedanz von Lautsprechern sind oft ungenau. In der Praxis gibt es nur bei sehr wenigen Lautsprechern Probleme beim Betrieb mit dem RA-1520. Wenden Sie sich bei Fragen bitte an Ihren autorisierten Rotel-Fachhändler.

Auswahl der Lautsprecherkabel

Verbinden Sie den RA-1520 und die Lautsprecher über ein isoliertes, zweiadriges Lautsprecherkabel. Aufbau und Qualität des Kabels können hörbare Effekte auf die Musikwiedergabe haben. Standard-„Klingeldraht“ wird funktionieren, jedoch können vor allem bei größeren Kabellängen Leistungsverluste und eine ungleichmäßige Wiedergabe des Frequenzspektrums das Ergebnis sein. Allgemein gilt, dass Kabel mit größerem Querschnitt eine verbesserte Wiedergabequalität gewährleisten. Für höchste Wiedergabequalität sollten Sie die Benutzung von speziellen, hochwertigen Lautsprecherkabeln erwägen. Ihr autorisierter Rotel-Fachhändler wird Ihnen bei der Auswahl dieser Lautsprecherkabel gerne weiterhelfen.

Polarität und Phasenabgleich

Die Polarität – die positive/negative Ausrichtung der Anschlüsse – muss für jede Lautsprecher-/Verstärkerverbindung phasengleich sein. Wird die Polarität einer Verbindung irrtümlicherweise umgekehrt, führt dies zu einem unausgewogenen Klangbild mit schwachen Bässen.

Die Kabel sind zur Identifizierung gekennzeichnet. So kann die Isolationschicht eines Leiters gerippt oder ein Leiter mit einem Streifen markiert sein. Das Kabel kann verschiedenfarbige Leiter (Kupfer und Silber) besitzen und von einer transparenten Isolationschicht umgeben sein. Bei anderen Kabeln wird die Polaritätsangabe auf die Isolationschicht gedruckt. Unterscheiden Sie zwischen positiven und negativen Leitern und achten Sie bei jeder Lautsprecher- und Verstärkerverbindung auf die gleiche Polung.

Anschluss der Lautsprecher

Schalten Sie zunächst alle zum System gehörenden Geräte ab. An die Anschlussklemmen des RA-1520 können blanke Drähte oder Kabelschuhe angeschlossen werden.

Führen Sie das Kabel vom RA-1520 zu den Lautsprechern. Lassen Sie sich genügend Raum, damit Sie die Komponenten bewegen können und so einen freien Zugang zu den Lautsprechern sicherstellen.

Bei der Verwendung von Kabelschuhen verbinden Sie diese mit den Kabeln, stecken die Kabelschuhe hinten unter die Anschlussklemmen und drehen die Klemmen im Uhrzeigersinn fest.

Sollten die Lautsprecherkabel direkt (ohne Kabelschuhe) an die Lautsprecherklemmen angeschlossen werden, so entfernen Sie an den Kabelenden ca. 15 mm der Isolation. Lösen Sie die Schraubklemmen durch Drehen gegen den Uhrzeigersinn. Verdrillen Sie die blanken Kabelenden, um ein Zerfasern zu vermeiden, und stecken Sie das verdrillte Kabel hinter die Schraubklemmen. Anschließend drehen Sie diese im Uhrzeigersinn fest.

HINWEIS: Achten Sie bitte darauf, dass die blanken Kabelenden vollständig an den Schraubklemmen untergebracht sind und somit das Berühren benachbarter Drähte oder Anschlüsse ausgeschlossen ist.

Eingangssignalanschlüsse

Siehe Figure (Abb.) 3

Der RA-1520 besitzt Hochpegeleingänge für Quellkomponenten, Anschlüsse für Audio-Tape-Decks und Vorverstärker-Ausgänge (PREOUT), über die Signale zu einer externen Endstufe gesendet werden.

HINWEIS: Beim Verkabeln und Anschließen sollten die Geräte generell abgeschaltet sein.

Phonoingang und Masseanschluss

Verbinden Sie das vom Plattenspieler kommende Kabel mit dem linken und rechten Phonoingang. Besitzt der Plattenspieler ein Massekabel, verbinden Sie dieses Kabel mit der Klemme links neben den Phonoeingängen. Das hilft, Brummen und Rauschen zu vermeiden.

Hochpegeleingänge

Bei den mit CD, TUNER und AUX gekennzeichneten Eingängen des RA-1520 handelt es sich um Hochpegeleingänge. Diese dienen zum Anschluss von Geräten wie CD-Playern, Video-Cassettenrecordern, Tunern, Laserdisc-Playern oder DVD-Playern.

Die linken Cinch-Anschlüsse sind weiß, die rechten sind rot gekennzeichnet und an die entsprechenden Kanäle der Quellkomponenten anzuschließen. Wir empfehlen Ihnen, zum Anschluss der Eingangsquellen an den RA-1520 hochwertige Cinch-Kabel zu verwenden. Lassen Sie sich diesbezüglich von Ihrem autorisierten Rotel-Fachhändler beraten.

TAPE-Anschlüsse

Die Tape-Ein- und Ausgänge können mit jedem beliebigen Aufnahme-/Wiedergabegerät verbunden werden, das analoge Hochpegel-Ein- und -Ausgangssignale akzeptiert. Am RA-1520 gibt es zwei mit TAPE 1 und TAPE 2 gekennzeichnete Anschlusssets.

Denken Sie beim Anschluss eines Recorders an den RA-1520 daran, dass die Ausgänge des Recorders mit den TAPE-Eingängen verbunden werden müssen. Dementsprechend sind die TAPE-Ausgänge des RA-1520 mit den Eingängen des Recorders zu verbinden. Stellen Sie, wie bei den anderen Quellen auch, sicher, dass die linken und rechten Kanäle zu jedem Gerät mit den entsprechenden Kanälen der angeschlossenen Komponenten verbunden werden. Verwenden Sie hochwertige Verbindungskabel, um eine optimale Klangqualität zu gewährleisten.

HINWEIS: Die TAPE-Eingänge können auch zum Anschluss von reinen Wiedergabequellen genutzt werden. In diesem Fall sind keine Verbindungen mit den Ausgängen herzustellen.

Media Player-Anschluss

Eine 3,5-mm-Stereo-Eingangsbuchse ist an der Gerätefront des Verstärkers für einen „Media Player“ vorgesehen. Um diese auszuwählen, müssen Sie den LISTENING-Wahlschalter in die AUX-Position setzen. Jeder tragbare Stereo-Cassettenrecorder, jeder CD-Player oder jedes Disc-Wiedergabegerät kann über diesen Eingang angeschlossen werden.

Erfolgt die Musikwiedergabe des angeschlossenen Gerätes über die Kopfhörerbuchse, so ist zu beachten, dass Sie die Lautstärke am Player einstellen müssen, damit Sie Musik hören können. Klingt der Ton laut und verzerrt, reduzieren Sie die Lautstärke am Player. Ist der Ton nicht laut genug, selbst wenn die Lautstärke des RA-1520 sehr stark erhöht worden ist, so erhöhen Sie vorsichtig die Lautstärke am Player.

HINWEIS: Wird der 3,5-mm-Minstecker in die Media Player-Buchse gesteckt, ist der AUX-Eingang hinten getrennt. Wird der 3,5-mm-Stecker aus der Media Player-Buchse gezogen, so funktioniert der AUX-Eingang hinten. Nutzen Sie die Tasten VOLUME + und – auf der Fernbedienung RR-AT94, um die Lautstärke zu erhöhen oder zu reduzieren.

Preamp-Ausgänge

Der RA-1520 verfügt an der Rückseite über zwei mit PREOUT gekennzeichnete Ausgänge. An diesen Ausgängen steht das Signal der gewählten Quelle jederzeit zur Verfügung. In der Regel wird eine externe Endstufe oder ein Signalprozessor daran angeschlossen. Bei diesen Ausgängen handelt es sich um Standard-Cinch-Anschlüsse, die mit den Eingängen der meisten Endstufen kompatibel sind. Verwenden Sie hochwertige Kabel und verbinden Sie den linken und rechten Kanal des RA-1520 mit den korrekten Eingängen des Verstärkers.

Netzspannung und Bedienung

Netzeingang

Der RA-1520 benötigt vergleichsweise große Strommengen. Deshalb sollte er direkt an eine zweipolige Wandsteckdose angeschlossen werden. Verwenden Sie kein Verlängerungskabel. Eine hochbelastbare Mehrfachsteckdose kann eingesetzt werden, wenn sie (und die Wandsteckdose) ausreichende Strommengen für den RA-1520 sowie die anderen an sie angeschlossenen Komponenten liefern können.

Der RA-1520 wird von Rotel so eingestellt, dass er der in Ihrem Land üblichen Netzspannung von 230 Volt/50 Hz entspricht. Die Einstellung ist an der Geräterückseite angegeben.

HINWEIS: Sollten Sie mit Ihrem RA-1520 in ein anderes Land umziehen, kann die Einstellung geändert werden, so dass das Gerät mit einer anderen Netzspannung betrieben werden kann. Versuchen Sie auf keinen Fall, diese Änderung selber vorzunehmen. Durch Öffnen des Gehäuses setzen Sie sich gefährlichen Spannungen aus. Ziehen Sie hierzu stets qualifiziertes Servicepersonal zu Rate.

Sind Sie, wie z. B. bei einer mehrwöchigen Urlaubsreise, für längere Zeit nicht zu Hause, sollten Sie Ihren Vollverstärker (ebenso wie alle anderen Audio- und Videokomponenten) während Ihrer Abwesenheit vom Netz trennen.

POWER-Schalter und POWER-Anzeige

Der POWER-Schalter befindet sich an der Gerätefront des RA-1520. Drücken Sie ihn zum Einschalten des Gerätes. Der Ring um den Schalter und die MUTE-LED im Lautstärkereglern beginnen zu leuchten. Durch erneutes Drücken wird der Vollverstärker ausgeschaltet. Ist der RA-1520 über den POWER-Schalter an der Gerätefront eingeschaltet worden, kann über die POWER-Taste auf der RR-AT94 zwischen dem normalen Betriebs- und dem Standby-Modus hin und her geschaltet werden. Befindet er sich im Standby-Modus, so kann er auch über eine der LISTENING-Tasten eingeschaltet werden.

12V TRIGGER OUT-Anschluss

Einige Rotel-Verstärker können über ein vom 12V TRIGGER OUT-Anschluss zur Verfügung gestelltes Signal ein- und abgeschaltet werden. Ist der RA-1520 aktiviert, liegt ein 12-Volt-Gleichspannungssignal an diesem Ausgang, das einen Verstärker einschaltet. Ist der RA-1520 abgeschaltet, wird das Trigger-Signal unterbrochen und der externe Verstärker ausgeschaltet.

Audiofunktionen

Über die folgenden Bedienelemente kann der RA-1520 gesteuert werden.

Lautstärkereglern

Drehen Sie den Lautstärkereglern nach rechts, um die Lautstärke zu erhöhen und nach links, um die Lautstärke zu reduzieren. Oder nutzen Sie die VOLUME-Tasten auf der Fernbedienung.

Balance-Steller

Mit dem Balance-Steller wird das Lautstärkeverhältnis zwischen linkem und rechtem Kanal hergestellt. Normalerweise sollte für ihn die Mittenposition beibehalten werden. Ist das Lautstärkeverhältnis zwischen den beiden Lautsprechern jedoch nicht optimal, wird eine entsprechende Einstellung des Balance-Stellers erforderlich. Durch Rechtsdrehung wird die Lautstärke des rechten Lautsprechers gegenüber dem linken erhöht, durch Linksdrehung reduziert.

BASS und TREBLE

Befindet sich der TONE-Schalter in der ON-Position, so kann der Klang über BASS und TREBLE eingestellt werden. Durch Rechtsdrehung werden die Bässe und Höhen angehoben, durch Linksdrehung reduziert. Möchten Sie BASS und TREBLE nicht nutzen, so setzen Sie den TONE-Schalter in die OFF-Position.

TONE-Schalter

Normalerweise sollten Sie diesen Schalter in der OFF-Position lassen. Die Klangregler arbeiten dann nicht, und die Signale werden ohne Beeinträchtigung am Klangregelnetzwerk vorbeigeleitet. Möchten Sie den Klang verändern, so setzen Sie diesen Schalter in die ON-Position.

LISTENING-Wahlschalter

Die Einstellung des LISTENING-Wahlschalters entscheidet darüber, welche Quelle Sie hören. Das ausgewählte Signal wird zu den Hauptausgängen und zur Endstufe gesendet. Drehen Sie den LISTENING-Wahlschalter an der Gerätefront auf die Quelle, die Sie hören möchten. Oder drücken Sie die entsprechende Taste auf der Fernbedienung.

RECORDING-Wahlschalter

Der RA-1520 kann mit Ausnahme der an TAPE 2 angeschlossenen Quelle alle Eingangssignale an einen Recorder übertragen, der an die Ausgänge TAPE 1 oder TAPE 2 angeschlossen ist. Um eine Eingangsquelle für die Aufnahme auszuwählen, setzen Sie den RECORDING-Wahlschalter an der Gerätefront auf die gewünschte Quelle.

Diese Auswahl ist unabhängig von der zum Hören genutzten Quelle. Somit können Sie während des Aufnehmens über den LISTENING-Wahlschalter zum Hören eine andere Quelle auswählen.

Haben Sie einen Dreikopf- oder DAT-Recorder, so können Sie die Aufnahme überwachen, indem Sie den LISTENING-Wahlschalter in die TAPE 1- oder die TAPE 2-Position setzen.

HINWEIS: Haben Sie am RECORDING-Wahlschalter TAPE 1 eingestellt, so steht das Aufnahmesignal nur an den TAPE 2- und nicht an den TAPE 1-Ausgängen zur Verfügung. Um ein Tape zu kopieren, wählen Sie TAPE 1 und überspielen die Signale auf das an die TAPE 2-Ausgänge angeschlossene Tape-Deck.

MUTE-Taste

Drücken Sie die MUTE-Taste auf der Fernbedienung RR-AT94, um den Ton vorübergehend abzuschalten. Die LED im Lautstärkereglern fängt an zu blinken. Durch erneutes Drücken dieser Taste schalten Sie auf die vorher eingestellte Lautstärke zurück.

Kopfhörerbuchse (PHONES)

Über den PHONES-Ausgang kann ein Kopfhörer angeschlossen werden. Diese Buchse ist auf die Verwendung von Standard-Stereo-Minikopfhörersteckern ausgelegt.

Sollte der Stecker Ihres Kopfhörers nicht passen, fragen Sie Ihren autorisierten Rotel-Fachhändler nach einem geeigneten Adapter.

HINWEIS: Auch nach Anschließen des Kopfhörersteckers liegt ein Signal an den Lautsprechern. Möchten Sie die Lautsprecher abschalten, so setzen Sie den SPEAKERS-Wahlschalter an der Gerätefront in die OFF-Position.

Speakers-Wahlschalter

Dieser Wahlschalter kann in vier Positionen gesetzt werden:

- OFF:** Es ist kein Lautsprecher zu hören. Nutzen Sie diese Position, wenn Kopfhörer angeschlossen sind.
- A:** Die an die Anschlussklemmen SPEAKER A angeschlossenen Lautsprecher sind zu hören.
- B:** Die an die Anschlussklemmen SPEAKER B angeschlossenen Lautsprecher sind zu hören.
- A+B:** Die an die Anschlussklemmen SPEAKER A und SPEAKER B angeschlossenen Lautsprecher sind zu hören.

Schutzschaltung

PROTECTION-LED

Die thermische Schutzschaltung des RA-1520 schützt den Verstärker vor möglichen Schäden durch extreme oder fehlerhafte Betriebsbedingungen. Sie ist im Gegensatz zu vielen anderen Konstruktionen unabhängig vom Audiosignal und beeinflusst den Klang nicht. Stattdessen überwacht sie die Temperatur an den Leistungstransistoren und schaltet den Verstärker ab, sobald bestimmte Temperaturgrenzen überschritten werden.

Darüber hinaus ist in den RA-1520 ein Überstromschutz integriert, der nur dann anspricht, wenn die Lastimpedanz zu stark abnimmt. Diese Schutzschaltung funktioniert für jeden Kanal unabhängig.

Sollte es zu einer Störung kommen, schaltet sich der RA-1520 ab. Die PROTECTION-LED an der Gerätefront beginnt zu leuchten.

Schalten Sie den Verstärker in diesem Fall aus. Lassen Sie ihn einige Minuten abkühlen. Versuchen Sie, den Grund für die Störung herauszufinden und zu beheben. Beim erneuten Einschalten des RA-1520 setzt sich die Schutzschaltung automatisch zurück, und die PROTECTION-LED erlischt.

In den meisten Fällen wird die Schutzschaltung durch eine Fehlfunktion, wie beispielsweise durch kurzgeschlossene Lautsprecherkabel oder eine unzureichende Belüftung, die schließlich zu einer Überhitzung führt, aktiviert. In sehr seltenen Fällen können Lautsprecher mit einer extrem niedrigen Impedanz die Schutzschaltung aktivieren.

Bei Störungen

Die meisten Probleme in Audiosystemen sind auf fehlerhafte Anschlüsse und falsche Einstellungen der Bedienelemente zurückzuführen. Treten Störungen auf, isolieren Sie den problematischen Bereich, prüfen die Einstellungen und nehmen, nachdem Sie den Grund für die Störung herausgefunden haben, die notwendigen Änderungen vor. Lesen Sie sich zunächst die folgenden Abschnitte durch, bevor Sie Ihren autorisierten Rotel-Fachhändler um Rat fragen.

Die POWER-Anzeige leuchtet nicht

Bei ordnungsgemäßem Betrieb beginnt der Ring um den POWER-Schalter zu leuchten, wenn der RA-1520 an eine stromführende Wandsteckdose angeschlossen ist und die POWER-Taste gedrückt wird. Leuchtet er nicht, prüfen Sie mit einem anderen elektrischen Verbraucher, z. B. einer Lampe, ob die Steckdose tatsächlich Strom führt. Prüfen Sie, ob der Strom nicht durch einen dazwischen sitzenden Schalter abgeschaltet worden ist.

Austauschen der Sicherung

Funktioniert ein anderes elektrisches Gerät und der Vollverstärker nicht, so kann dies ein Hinweis darauf sein, dass die Grobsicherung im Gehäuseinnern durchgebrannt ist. Trennen Sie den Vollverstärker vom Netz und lassen Sie die Sicherung von Ihrem autorisierten Rotel-Fachhändler austauschen.

Kein Ton

Prüfen Sie, ob die Signalquelle einwandfrei funktioniert. Vergewissern Sie sich, dass die Kabel von der Signalquelle zu den Eingängen des RA-1520 ordnungsgemäß angeschlossen sind. Stellen Sie sicher, dass der LISTENING-Wahlschalter auf den richtigen Eingang gesetzt worden ist. Stellen Sie sicher, dass der SPEAKERS-Wahlschalter in die richtige Position gesetzt worden ist. Prüfen Sie alle Verbindungen zwischen dem RA-1520 und den Lautsprechern.

PROTECTION-LED leuchtet

Wurde der RA-1520 von der Schutzschaltung abgeschaltet, beginnt die PROTECTION-LED zu leuchten. Normalerweise passiert dies nur, wenn er überhitzt ist, die Lautsprecher nicht richtig angeschlossen wurden oder der Verstärker überlastet wurde. Schalten Sie das System ab und warten Sie, bis sich der Verstärker abgekühlt hat. Drücken Sie den Netzschalter anschließend einmal ein und aus, um die Schutzschaltung zurückzusetzen. Ist die Störung nicht beseitigt oder tritt sie erneut auf, liegt das Problem im System oder im Verstärker selber.

Probleme mit den Fernbedienungscodes

Rotel verwendet für all seine Audioprodukte die gleichen IR-Fernbedienungscodes. Besteht ein System aus mehreren Rotel-Produkten, so kann es zu Interferenzen zwischen den IR-Codes der einem Gerät beiliegenden Fernbedienung und den Codes eines anderen Rotel-Gerätes kommen. Um solche Probleme auszuschließen, können die Codes für die RR-AT94 und den RA-1520 geändert werden.

Möchten Sie die IR-Codes der RR-AT94 ändern, drücken Sie gleichzeitig die Tasten Phono und 2. Möchten Sie die IR-Codes des RA-1520 ändern, so richten Sie die RR-AT94 auf den Vorverstärker und halten die Taste 2 fünf Sekunden lang gedrückt. Die LED am Lautstärkeregel leuchtet auf und zeigt dadurch an, dass der IR-Code geändert worden ist.

Hinweis: Nachdem die IR-Codes wie oben beschrieben geändert worden sind, können über die RR-AT94 keine Rotel-Tuner mehr ferngesteuert werden. Möchten Sie die RR-AT94 in die Werksvoreinstellung zurücksetzen, drücken Sie gleichzeitig die Tasten Phono und 1. Möchten Sie die IR-Codes des RA-1520 in die Werksvoreinstellung zurücksetzen, so richten Sie die RR-AT94 auf den Vorverstärker und halten die Taste 1 fünf Sekunden lang gedrückt. Die LED am Lautstärkereglers leuchtet auf und zeigt dadurch an, dass der IR-Code geändert worden ist.

IR-Code zurücksetzen

Müssen Sie den IR-Code zurücksetzen, so drücken Sie mindestens 5 Sekunden lang die MUTE-Taste (A) auf der Fernbedienung RR-AT94, während Sie sie auf den RA-1520 richten. Das Gerät schaltet auf die Werksvoreinstellung zurück. Die LISTENING CD-LED (B) leuchtet und zeigt damit an, dass der IR-Code zurückgesetzt worden ist. Weitere Informationen erhalten Sie bei Ihrem autorisierten Rotel-Fachhändler.

Technische Daten

Dauerausgangsleistung (20 – 20.000 Hz, < 0,03 %, 8 Ohm)	60 Watt/Kanal
Gesamtklirrfaktor (20 – 20.000 Hz)	< 0,03 % bei Nennleistung, bei halber Nennleistung oder bei 1 Watt
Intermodulationsverzerrung (60 Hz : 7 kHz, 4:1)	< 0,03 % bei Nennleistung, bei halber Nennleistung oder bei 1 Watt
Frequenzgang	
Phonoeingang (MM)	20 – 15.000 Hz, ±0,2 dB
Hochpegeleingänge	10 – 100.000 Hz, +1 dB, -3 dB
Dämpfungsfaktor (20 – 20.000 Hz, 8 Ohm)	150
Eingangsempfindlichkeit/-impedanz (Hochpegeleingang)	170 mV/24 kOhm
Überlast (Hochpegeleingang)	5 V
Eingangsempfindlichkeit/-impedanz (Phonoeingang)	2,8 mV/47 kOhm
Überlast (Phonoeingang)	170 mV
Ausgangspegel/-impedanz (Vorverstärker)	1 V/470 Ohm
Geräuschspannungsabstand (IHF A)	>95 dB
Stromversorgung	230 V, 50 Hz
Leistungsaufnahme	300 Watt
Abmessungen (B x H x T)	431 x 99 x 339 mm
Höhe Frontpanel	2 U/88,1 mm
Nettogewicht	7,8 kg

Diese Bedienungsanleitung entspricht dem technischen Stand bei Drucklegung. Änderungen in Technik und Ausstattung vorbehalten.

Rotel und das Rotel HiFi-Logo sind eingetragene Warenzeichen der The Rotel Co. Ltd., Tokio, Japan.

Instrucciones de Seguridad Importantes

ADVERTENCIA: No hay componentes manipulables por el usuario en el interior del aparato. Cualquier operación de mantenimiento debe ser llevada a cabo por personal cualificado.

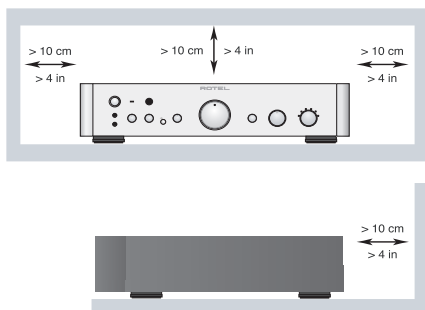
ADVERTENCIA: Para reducir el riesgo de que se produzca un incendio o una descarga eléctrica, no exponga el aparato al agua o la humedad ni permita que ningún objeto extraño penetre en su interior. Si el aparato está expuesto a la humedad o algún objeto extraño penetra en su interior, desconecte inmediatamente el cable de alimentación de la red eléctrica. En caso de que fuera necesario, envíe el aparato a un especialista cualificado para su inspección y posterior reparación.

Lea todas las instrucciones del presente manual antes de conectar o hacer funcionar el aparato.

Conserve este manual cerca de usted para el caso de que necesite revisar las instrucciones de seguridad que se indican a continuación.

Tenga siempre en mente las advertencias y la información relativa a seguridad que figuran tanto en estas instrucciones como en el propio aparato. Siga al pie de letra todas las instrucciones relacionadas con el funcionamiento del mismo.

Limpie el exterior del aparato únicamente con una gamuza seca o un aspirador.



Debe dejar un mínimo de 10 centímetros de espacio libre alrededor del aparato.

No coloque nunca el aparato en una cama, un sofá, una alfombra o una superficie similar susceptible de bloquear las ranuras de ventilación. Si el aparato está ubicado en la estantería de una librería o un mueble, debe haber suficiente espacio a su alrededor y ventilación en el mueble para permitir una refrigeración adecuada.

Mantenga al aparato alejado de radiadores, estufas, cocinas o de cualquier otra instalación que produzca calor.

ADVERTENCIA: El conector del cable de alimentación del panel posterior hace las veces de dispositivo de desconexión de la red eléctrica. En consecuencia, el aparato debe ubicarse en un área abierta que permita acceder fácilmente a dicho conector.

El aparato debe ser conectado únicamente a una fuente de alimentación del tipo y la tensión especificados en su panel posterior (corriente eléctrica alterna de 110 V/60 Hz para EE.UU. y 230 V/50 Hz para la Comunidad Europea).

Conecte el aparato a la toma de corriente eléctrica únicamente a través del cable de alimentación suministrado de serie o un equivalente exacto del mismo. No modifique de ningún modo dicho cable. Una clavija polarizada incluye dos patillas, una de ellas más ancha que la otra. Una clavija con toma de tierra incluye dos patillas más una tercera para la conexión de masa. Esta configuración está pensada para su seguridad. No intente desactivar los terminales destinados a la conexión a tierra o polarización. Si la clavija suministrada no se adapta a su toma de corriente, le rogamos que consulte a un técnico especializado para que sustituya la toma obsoleta por una de última generación. No utilice cables de extensión.

La clavija principal del cable de alimentación permite desconectar por completo el aparato. En consecuencia, para desconectar completamente el aparato de la red eléctrica la clavija principal del cable de alimentación debería ser retirada de la toma correspondiente. A partir de este momento, el testigo luminoso de posición de espera se apagará para indicar que el cable de alimentación está desenchufado. El dispositivo de desconexión permanecerá fácilmente accesible.

No coloque el cable de alimentación en lugares en que pueda ser aplastado, perforado, doblado en ángulos críticos, expuesto al calor o dañado de algún modo. Preste particular atención al punto de unión entre el cable y la toma de corriente y también a la ubicación de esta última en el panel posterior del aparato.

El cable de alimentación debería desconectarse de la red eléctrica cuando el aparato no vaya a ser utilizado durante un largo período de tiempo (por ejemplo las vacaciones de verano).

Utilice únicamente accesorios especificados por el fabricante.

Utilice el aparato únicamente con una carretilla, un soporte, un mueble o un sistema de estantes recomendado por Rotel. Tenga cuidado cuando mueva el aparato junto con el mueble o pie que lo soporte ya que en caso de caída podría lastimarlo.

Deje inmediatamente de utilizar el aparato y envíelo a un servicio técnico cualificado para su inspección/repación si:

- El cable de alimentación o alguna clavija del mismo ha sido dañado.
- Han caído objetos o se ha derramado líquido en el interior del aparato.
- El aparato ha sido expuesto a la lluvia.
- El aparato muestra signos de funcionamiento inadecuado.
- El aparato ha sido golpeado o dañado de algún modo.



APPLICABLE FOR USA, CANADA OR WHERE APPROVED FOR THE USAGE

CAUTION: TO PREVENT ELECTRIC SHOCK, MATCH WIDE BLADE OF PLUG TO WIDE SLOT, INSERT FULLY.

ATTENTION: POUR EVITER LES CHOCS ELECTRIQUES, INTRODUIRE LA LAME LA PLUS LARGE DE LA FICHE DANS LA BORNE CORRESPONDANTE DE LA PRISE ET POUSSER JUSQU'AU FOND.



Este símbolo es para alertar al usuario sobre la presencia de tensiones peligrosas no aisladas en el interior del aparato susceptibles de constituir un riesgo de electrocución.



Este símbolo es para alertar al usuario sobre la presencia de instrucciones importantes relacionadas con el funcionamiento y el mantenimiento (servicio técnico) tanto en este manual como en la literatura que acompaña al producto.

Los productos Rotel están diseñados para satisfacer la normativa internacional en materia Restricción del Uso de Sustancias Peligrosas (RoHS) en equipos eléctricos y electrónicos y la eliminación de Residuos Procedentes de Equipos Eléctricos y Electrónicos (WEEE). El símbolo del carrito de la basura tachado indica la plena satisfacción de las citadas normativas y que los productos que lo incorporan deben ser reciclados o procesados debidamente en concordancia con las mismas.



Este símbolo significa que el aparato está doblemente aislado, por lo que no requiere ninguna conexión a tierra.



Contenido

Figura 1: Controles y Conexiones	3
Figura 2: Mando a Distancia RR-AT94	3
Figura 3: Conexiones de la Señal de Entrada y de Salida a las Cajas Acústicas	4
Notas Importantes	5
Instrucciones de Seguridad Importantes	28
Acerca de Rotel	29
Unas Palabras Acerca de los Vatios	29
Para Empezar	30
Algunas Precauciones	30
Colocación	30
Cables	31
Mando a Distancia	31
Controles de Audio A B C E	31
Funciones Correspondientes al Reproductor de CD D G	31
Funciones Correspondientes al Reproductor de DVD G	31
Funciones Correspondientes al Sintonizador D F	31
Sensor de Control Remoto 3	31
Pilas del Mando a Distancia	31
Toma EXT REM IN 16	31
Salida para Señal de Rayos Infrarrojos 17	31
Salidas para la Conexión de las Cajas Acústicas	32
Impedancia de las Cajas Acústicas	32
Cable de Conexión a las Cajas Acústicas	32
Polaridad y Puesta en Fase	32
Conexión de las Cajas Acústicas 23 24	32
Conexión de las Fuentes	32
Entrada de Fono 15 y Conexión a Masa 14	32
Entradas de Línea 19	32
Conexión de Componentes de Grabación 20 21	33
Entrada para Reproductor Multimedia Portátil 4	33
Salidas Preamplificadas 22	33
Alimentación y Control	33
Toma de Corriente Eléctrica 25	33
Botón POWER e Indicador Luminoso de Puesta en Marcha 1	33
Toma para Señal de Disparo de 12 V 16	34
Controles de Audio	34
Control VOLUME 10 C	34
Control BALANCE 11	34
Controles de Tono BASS y TREBLE 7 9	34
Activación/Desactivación de los Controles de Tono 8	34
Selector LISTENING 13 B	34
Selector RECORDING 12	34
Botón MUTE A	34
Toma de AURICULARES 5	34
Selector SPEAKERS 6	34
Circuitría de Protección	35
Indicador Luminoso de Protección 2	35
Problemas y Posibles Soluciones	35
El Indicador Luminoso de Puesta en Marcha No Se Activa	35
Sustitución del Fusible	35
No Hay Sonido	35
Activación del Indicador Luminoso de Protección	35
Conflictos con los Códigos de Control del Mando a Distancia	35
Reinicialización del Código de Control por Infrarrojos	36
Características Técnicas	36

Acerca de Rotel

Nuestra historia empezó hace casi 50 años. A lo largo de todas estas décadas, hemos recibido cientos de premios por nuestros productos y satisfecho a centenares de miles de clientes que se toman muy en serio, al igual que usted, sus momentos de ocio.

Rotel fue fundada por una familia cuyo entusiasta interés por la música le condujo a diseñar y construir componentes de Alta Fidelidad sin ningún tipo de compromiso. Esta pasión ha permanecido inalterada durante todo este tiempo, hasta el punto de que el objetivo de los fundadores de la compañía -proporcionar productos de la máxima calidad a melómanos y audiófilos independientemente de cuales sean sus posibilidades económicas- es compartido por todos sus empleados.

Los ingenieros de Rotel trabajan como un equipo compacto, escuchando y llevando a cabo el ajuste fino de cada nuevo producto hasta que satisface de manera exacta los estándares de calidad musical para los que fue diseñado. Para lograrlo, disponen de la máxima libertad para escoger los mejores componentes allí donde se encuentren. Le sorprenderá agradablemente encontrar exquisitos condensadores procedentes del Reino Unido y Alemania o semiconductores de Japón o Estados Unidos, mientras que los transformadores toroidales de potencia son construidos en la propia factoría de Rotel.

Todos nosotros nos preocupamos por nuestro entorno. Y a medida que se producen y posteriormente desechan más y más aparatos electrónicos, para un fabricante resulta especialmente importante hacer todo lo que le sea posible para poner a punto que tengan un impacto mínimo en los vertederos de basura y las capas freáticas.

En Rotel estamos orgullosos de contribuir con nuestra parte. Hemos reducido el contenido en plomo de nuestros componentes electrónicos utilizando una soldadura RoHS especial, mientras que nuestros nuevos amplificadores en Clase D (que no digitales) son hasta cinco veces más eficientes que nuestros diseños tradicionales a la vez que siguen ofreciendo una excelente dosis de potencia y prestaciones. La temperatura de funcionamiento de estos productos es baja y la energía que desperdician mínima, a la vez que son amables con el medio ambiente y proporcionan un sonido superior.

Finalmente, queremos que sepa que hemos impreso este catálogo en papel reciclado.

Aunque comprendemos que estas últimas consideraciones son sólo unos primeros pasos, también tenemos muy claro que ello no quita que sean importantes. Y continuaremos buscando nuevos materiales y métodos de fabricación para conseguir que nuestros procesos de fabricación sean lo más limpios y ecológicos posible. Le agradecemos que haya adquirido este producto. Estamos seguros de que le proporcionará largos años de disfrute en la escucha de sus grabaciones musicales favoritas.

Unas Palabras Acerca de los Vatios

La potencia de salida del RA-1520 es de 60 vatios continuos por canal con los dos canales excitados a plena potencia. Rotel ha elegido especificar de este modo la potencia de salida porque su dilatada experiencia le permite afirmar que es el que proporciona el valor más fiel de las posibilidades dinámicas tanto de una electrónica integrada como de una etapa de potencia.

Cuando compare las especificaciones correspondientes a distintos productos, debería tener en cuenta que la potencia de salida es a menudo expresada de otras maneras, por lo que es muy posible que la comparación pura y dura entre cifras no proceda. Por ejemplo, es posible que la potencia de salida se dé con un único canal en funcionamiento, por lo que de este modo el valor pertinente sea el máximo posible.

El valor de la impedancia de una caja acústica indica la resistencia eléctrica o carga que presenta cuando es conectada al amplificador y que por regla general suele ser de 8 ó 4 ohmios. Cuanto menor sea la impedancia, más potencia necesitará la caja acústica para ser debidamente excitada. Así, una caja acústica con una impedancia de 4 ohmios necesitará el doble de potencia que otra cuya impedancia sea de 8 ohmios.

No obstante, los amplificadores Rotel están diseñados para funcionar con cualquier impedancia de valor comprendido entre 4 y 8 ohmios y con todos los canales excitados a plena potencia. Es precisamente porque el diseño de los amplificadores Rotel está optimizado para que trabajen con todos los canales excitados que podemos especificar la verdadera potencia de salida para los canales disponibles.

Para Empezar

Gracias por haber adquirido el Amplificador Integrado Estereofónico Rotel RA-1520. Utilizado en un sistema de reproducción musical de alta calidad, le permitirá disfrutar durante muchos años de sus composiciones musicales favoritas.

El RA-1520 es un componente de audio de altas prestaciones extremadamente completo. Todos los aspectos de su diseño han sido optimizados para preservar toda la gama dinámica y todas las sutilezas de su música predilecta. El RA-1520 incorpora una fuente de alimentación altamente regulada que incluye un transformador de alimentación toroidal y condensadores de láminas finas, todos ellos diseñados y contruidos a medida siguiendo rigurosas especificaciones de Rotel. Esta fuente de alimentación de baja impedancia posee una generosa reserva de energía que permite al RA-1520 reproducir fácilmente las más exigentes señales de audio. Un diseño de este tipo resulta más caro de fabricar pero es mejor para la música.

Las placas de circuito impreso del RA-1520 han sido diseñadas con Pistas Circuitales Simétricas a fin de asegurar el perfecto mantenimiento de las relaciones temporales de la música y la más fiel reproducción de las mismas. La circuitería del RA-1520 utiliza resistencias de película metálica y condensadores de poliestireno o polipropileno en los puntos más críticos del recorrido de la señal de audio. Todos los aspectos de este diseño han sido examinados al milímetro con el objetivo último de conseguir una fiel reproducción de la música.

Además, el RA-1520 incluye selectores independientes para grabación y escucha que le permiten a usted escuchar una señal procedente de una determinada fuente mientras graba la procedente de otra.

Las funciones principales del RA-1520 son fáciles de comprender y utilizar. Si usted ya está experimentado en el manejo de componentes de audio estereofónicos, en principio no debería encontrar nada que le resultara especialmente complicado durante la puesta a punto inicial del mismo. Basta con que conecte el resto de componentes de su equipo y disfrute con su música preferida.

Algunas Precauciones

Le rogamos que lea cuidadosamente el presente manual de instrucciones. Además de las instrucciones básicas de instalación y puesta a punto del RA-1520, incluye información de gran valor sobre las diferentes configuraciones que permite el aparato, así como información general que le ayudará a optimizar las prestaciones de su sistema. Le rogamos asimismo que contacte con su distribuidor autorizado de Productos Rotel para cualquier duda o consulta. No le quepa la menor duda de que todos sus comentarios y observaciones serán bien recibidos.

Guarde el embalaje del RA-1520 y todo el material en él contenido para un posible uso futuro del mismo. El embalaje o transporte del RA-1520 en condiciones diferentes de las originales puede dañar seriamente el aparato.

Rellene y envíe la tarjeta de garantía suministrada con el RA-1520. Asegúrese asimismo de mantener en su poder la factura de compra puesto que es la mejor manera de que usted se acuerde de la fecha de compra, un dato esencial en caso de que necesitara asistencia técnica durante el período de garantía.

Colocación

Al igual que todos los componentes de audio que manejan señales de bajo nivel, el RA-1520 puede verse afectado por su entorno. Evite colocar otros componentes encima del RA-1520 ya que ello impediría a este último disipar el calor que genera. Asimismo, evite colocar los cables de señal junto con los de alimentación ya que de este modo se minimizará la posibilidad de captación de zumbidos o interferencias.

El RA-1520 genera calor como parte de su funcionamiento normal, por lo que tanto los disipadores térmicos como las ranuras de ventilación que incorpora están perfectamente capacitados para eliminar dicho calor. Las ranuras de ventilación situadas en la cubierta superior deben permanecer siempre despejadas. Debería dejar unos 10 centímetros de espacio libre alrededor del chasis y permitir una circulación de aire razonable para evitar que el aparato se caliente en exceso.

Tenga igualmente en cuenta el peso del amplificador cuando seleccione una ubicación determinada para su instalación. Asegúrese por tanto de que la estantería o mueble utilizado pueda soportarlo sin mayores problemas. Le recomendamos que instale el RA-1520 en muebles diseñados específicamente para albergar componentes de audio. Dichos muebles están concebidos para reducir o suprimir vibraciones que pueden afectar negativamente a la calidad del sonido. Consulte a su distribuidor autorizado de productos Rotel para que le aconseje acerca de los muebles más adecuados para su equipo y sobre la adecuada instalación en los mismos de sus componentes de audio.

El RA-1520 se suministra de serie con un mando a distancia RR-AT94. A fin de que aproveche plenamente las posibilidades que le ofrece dicho mando, le recomendamos que coloque el RA-1520 en lugares desde los que usted pueda ver el Sensor de Control Remoto que figura en su panel frontal.

Cables

Asegúrese de que los cables de alimentación, digitales y de modulación de su equipo estén alejados entre sí ya que de este modo se minimizarán las posibilidades de que la señal de audio se vea afectada por ruido o interferencias procedentes de los cables digitales o de alimentación. El uso sistemático de cables apantallados de alta calidad también contribuirá a prevenir la entrada de ruido o interferencias susceptibles de degradar la calidad sonora de su equipo. Si tiene alguna pregunta que realizar al respecto, le recomendamos que visite a su distribuidor autorizado de productos Rotel para que le aconseje los cables más adecuados para su sistema.

Mando a Distancia

El RA-1520 se suministra de serie con un mando a distancia RR-AT94 que gobierna la mayoría de funciones del aparato a la vez que está capacitado para gestionar funciones básicas de algunos reproductores de CD, reproductores de DVD y sintonizadores de AM/FM de Rotel.

Controles de Audio

El RR-AT94 duplica las funciones básicas del panel frontal del RA-1520. Cuando una misma función figure en el panel frontal del amplificador y en el mando a distancia, se indicarán los correspondientes códigos de identificación en el presente manual de instrucciones (números para el panel frontal y letras para el mando a distancia). Por ejemplo, para modificar el nivel de volumen usted puede o bien girar el control del panel frontal o bien utilizar los botones del mando a distancia. Cuando sólo aparece un identificador significa que el correspondiente control está disponible únicamente en el panel frontal o en el mando a distancia pero no en ambos.

Funciones Correspondientes al Reproductor de CD

Los botones PLAY (REPRODUCCION), STOP (PARADA), PAUSE (PAUSA), TRACK (PISTA) y RANDOM (ALEATORIO) y las teclas NUMERICAS (0-10) permiten gobernar muchos reproductores de discos compactos de Rotel una vez pulsado el botón CD del mando a distancia.

Funciones Correspondientes al Reproductor de DVD

Los botones PLAY (REPRODUCCION), STOP (PARADA), PAUSE (PAUSA) y TRACK +/- (PISTA +/-) gobiernan los reproductores de DVD de Rotel una vez pulsado el botón AUX1 del mando a distancia.

Funciones Correspondientes al Sintonizador

Los botones BAND (BANDA), TUNING (SINTONIA) y otros relacionados con la sintonización de emisoras de radio gobiernan los sintonizadores de Rotel una vez pulsado el botón TUNER del mando a distancia.

NOTA: Por defecto, el RR-AT94 gobierna los sintonizadores RT-1080, RT-1082 y RT-1084 de Rotel. El mando a distancia puede ser reprogramado para controlar el sintonizador RT-940AX. Esta programación sólo debe hacerse una sola vez.

Programación para controlar el RT-940AX: pulse simultáneamente los botones POWER y 2.

Programación para controlar el RT-1080, el RT-1082 y el RT-1084: pulse simultáneamente los botones POWER y 1.

Sensor de Control Remoto

El Sensor de Control Remoto recibe los rayos infrarrojos procedentes del mando a distancia. No lo cubra ni bloquee nunca ya que en caso contrario no funcionará correctamente.

El funcionamiento del Sensor de Control Remoto también puede verse afectado si el mismo es expuesto a la luz solar directa o ciertos tipos de iluminación artificial, como por ejemplo las lámparas halógenas (que emiten una cierta cantidad de luz infrarroja). Asimismo, es posible que las funciones de control a distancia no actúen de manera fiable si las pilas del RR-AT94 están a punto a de agotarse.

NOTA: Para utilizar el mando a distancia, oriéntelo hacia el sensor de control remoto del panel frontal del RA-1520.

Pilas del Mando a Distancia

Antes de utilizar el mando a distancia deben colocarse dos pilas del tipo UM-4/AAA (suministradas con el RA-1520). Para instalar las pilas, quite en primer lugar la cubierta que figura en la parte posterior del RR-AT94. Coloque las pilas respetando las indicaciones de polaridad que se ilustran en el propio compartimento portabaterías. Verifique que el mando a distancia funcione correctamente y a continuación vuelva a colocar en su lugar la tapa del compartimento portabaterías. Cuando las pilas empiecen a agotarse, el mando a distancia dejará de funcionar correctamente. Bastará con que cambie las pilas (todas) por otras nuevas para eliminar el problema.

Toma EXT REM IN

Esta minitoma de 3'5 mm puede recibir códigos de control procedentes de cualquier receptor de infrarrojos estándar o de un teclado de control de zonas remotas de Rotel. Puede utilizar con un receptor de infrarrojos externo para duplicar las funciones del sensor de infrarrojos del panel frontal. Esta función resulta especialmente útil cuando el RA-1520 está instalado en un mueble y el sensor de infrarrojos del panel frontal está bloqueado, así como en el caso de que se necesite reenviar señales de infrarrojos a otros componentes del equipo.

Consulte a su distribuidor autorizado de productos Rotel para que le proporcione información tanto sobre los receptores de rayos infrarrojos externos disponibles en el mercado como acerca del cableado adecuado para una clavija que se ajuste al receptáculo de la minitoma de 3'5 mm.

NOTA: Las señales de rayos infrarrojos de la toma EXT REM IN pueden ser reenviadas a las fuentes del equipo utilizando emisores de infrarrojos externos o conexiones por cable a las tomas IR OUT. Para más información, consulte la sección que viene a continuación.

Salida para Señal de Rayos Infrarrojos

Las toma para clavija de 3'5 mm IR OUT envía señales de infrarrojos recibidas en la toma EXTERNAL REM IN a un emisor de rayos infrarrojos situado delante de un sensor de infrarrojos de una determinada fuente. Asimismo, la conexión IR OUT puede efectuarse por cable a reproductores de CD, de DVD o sintonizadores de Rotel que incorporen un conector de infrarrojos compatible en su panel posterior.

Por ejemplo, esto permite al RA-1520 enviar señales de infrarrojos cuando los sensores de las fuentes del equipo están bloqueados como consecuencia de la instalación de las mismas en un mueble.

Consulte a su distribuidor autorizado de productos Rotel para que le proporcione información adicional sobre los repetidores de rayos infrarrojos disponibles en el mercado.

NOTA: Retire las pilas del mando a distancia si no piensa utilizarlo durante un largo período de tiempo. No deje pilas agotadas en el interior del mando a distancia ya que podrían derramar productos químicos corrosivos susceptibles de dañarlo.

Salidas para la Conexión de las Cajas Acústicas

Ver Figura 3

El RA-1520 incorpora dos pares de salidas para la conexión de cajas acústicas designados por SPEAKER A y SPEAKER B. Dichas salidas son controladas por un conmutador situado en el panel frontal del aparato.

Impedancia de las Cajas Acústicas

Si sólo se va a utilizar una de las dos parejas de cajas acústicas que pueden conectarse al RA-1520, cada caja puede tener una impedancia nominal de hasta 4 ohmios. Por el contrario, si se van a utilizar simultáneamente las parejas de cajas acústicas A y B, cada caja debería tener una impedancia de 8 ohmios o más. Por lo general, la impedancia de las cajas acústicas es un parámetro bastante poco preciso, de modo que en la práctica muy pocas cajas acústicas presentarán problemas al RA-1520. Para cualquier duda o cuestión que tenga al respecto, consulte con su distribuidor autorizado de productos Rotel.

Cable de Conexión a las Cajas Acústicas

Utilice un cable de dos conductores perfectamente aislado para conectar el RA-1520 a las cajas acústicas. El tamaño y la calidad de dicho cable pueden tener un efecto audible sobre las prestaciones de la totalidad de su equipo. Un cable de conexión de calidad estándar funcionará pero es posible que provoque una disminución de la potencia de salida o una atenuación de la respuesta en graves, en particular si la longitud del mismo es elevada. En general, un cable más consistente mejorará la calidad del sonido. Para conseguir unas prestaciones óptimas, debería considerar la compra de cables de alta calidad especialmente diseñados para aplicaciones de audio. Su distribuidor autorizado de productos Rotel puede ayudarle a seleccionar los cables que vaya a utilizar en su sistema.

Polaridad y Puesta en Fase

La polaridad, es decir la orientación positiva/negativa de las conexiones correspondientes a cada caja acústica, y a la unión con el amplificador deben ser coherentes, de modo que todas las cajas acústicas del sistema estén en fase. Si la polaridad de una conexión es invertida por error, se producirá una fuerte caída de la respuesta en graves, así como una degradación perceptible de la imagen estereofónica global. Todos los cables están marcados de manera que usted pueda identificar fácilmente los dos conductores. Puede haber marcas o líneas impresas en el revestimiento aislante de un conductor. El cable también puede presentar un claro aislamiento al incorporar conductores de distintos colores (cobre y plata). También puede haber indicaciones de polaridad impresas en el revestimiento aislante. Identifique los conductores positivos y negativos y sea coherente con cada una de las conexiones del amplificador y las cajas acústicas.

Conexión de las Cajas Acústicas

Desconecte todos los componentes de su equipo antes de llevar a cabo la conexión de las cajas acústicas. El RA-1520 incorpora terminales de conexión debidamente codificados (por colores) en su panel posterior. Estos conectores aceptan cable pelado, conectores de tipo horquilla o conectores de tipo banana doble (excepto en los países de la Comunidad Europea, donde su uso no está permitido).

Lleve el cable desde el RA-1520 hasta las cajas acústicas. Procure que el mismo posea la suficiente longitud para que pueda accederse sin ninguna restricción a los terminales de conexión de aquéllas. Si usted está utilizando conectores dobles de tipo banana, únalos primero a los cables y a continuación insértelos en la zona posterior de los terminales de conexión. En cualquier caso, las tuercas de fijación de dichos terminales deberían bloquearse girándolas en sentido horario.

Si está utilizando conectores de tipo horquilla, conéctelos en primer lugar a los cables. Si está colocando directamente cable pelado a los terminales de conexión a las cajas acústicas, separe los cables correspondientes a cada conductor y quite la parte superior del revestimiento aislante. Asegúrese asimismo de no cortar ninguno de los conductores propiamente dichos. Libere (girándolas en sentido antihorario) las tuercas de fijación hexagonales y a continuación coloque los conectores alrededor de los terminales de conexión a las cajas acústicas o el cable pelado en el orificio transversal que hay en los mismos. Gire en sentido horario las tuercas de fijación hexagonales para sujetar firmemente en su lugar el conector o el cable de conexión.

NOTA: Asegúrese de que no haya restos de cable que puedan tocar los cables o conductores adyacentes.

Conexión de las Fuentes

Ver Figura 3

El RA-1520 incorpora entradas de nivel de línea equipadas con conectores RCA para la conexión de fuentes y grabadores de audio, así como salidas preamplificadas para enviar señales a una etapa de potencia externa.

NOTA: Para evitar la presencia de ruidos potencialmente nocivos, asegúrese de que el sistema esté completamente desconectado cuando usted esté realizando cualquier tipo de conexión de señal.

Entrada de Fono y Conexión a Masa

Conecte el cable procedente del giradiscos a las tomas izquierda y derecha apropiadas. Si el giradiscos incluye un cable de "masa", conéctelo al terminal con fijación por rosca específicamente pensado para el mismo situado a la izquierda de las entradas de Fono. Esto le ayudará a prevenir zumbidos y ruidos.

Entradas de Línea

El RA-1520 incorpora tres pares de conectores de entrada convencionales (RCA) para la conexión de componentes que manejan señales de nivel de línea tales como reproductores de CD, grabadores estereofónicos, sintonizadores o reproductores de DVD. Estas entradas se designan por CD, TUNER y AUX.

Los canales Izquierdo ("Left") y Derecho ("Right") están claramente identificados y deberían ser conectados a los terminales pertinentes de las fuentes correspondientes. Los conectores RCA correspondientes al canal Izquierdo son de color blanco, mientras que los del canal Derecho son de color rojo. Utilice cables de alta calidad equipados con conectores RCA para la conexión de cualquier fuente al RA-1520. Consulte a su distribuidor autorizado de productos Rotel para que le aconseje sobre los cables a utilizar.

Conexión de Componentes de Grabación

Las entradas y salidas Tape pueden utilizarse para la conexión a cualquier componente de grabación/reproducción que acepte señales de entrada y salida analógicas estándar de nivel de línea, que por lo general suele ser un grabador de CD convencional. En el panel posterior hay dos juegos de conexiones para componentes de grabación designados por TAPE 1 y TAPE 2.

Cuando conecte un componente de grabación al RA-1520, recuerde que las salidas de aquél deben conectarse a las entradas tape del RA-1520. De modo similar, las salidas tape del RA-1520 deben ser conectadas a las entradas del grabador. Al igual que sucede con otras fuentes, asegúrese de conectar los canales Izquierdo y Derecho correspondientes a cada componente a los canales adecuados de los componentes asociados. Utilice cables de interconexión de alta calidad para evitar pérdidas de calidad sonora.

NOTA: Las entradas tape también pueden utilizarse para la conexión de fuentes estándar omitiéndose las conexiones de salida de señal (es decir las correspondientes a grabación).

Entrada para Reproductor Multimedia Portátil

En el panel frontal del RA-1520 se ha dispuesto una toma estereofónica de 3'5 mm para la conexión de un Reproductor Multimedia ("Media Player") Portátil, accediéndose a la misma situando el selector de fuente de entrada Listening en AUX. A dicha entrada se le puede conectar cualquier reproductor portátil de CD, casetes o equipado con disco duro disponible en el mercado.

Si el dispositivo a conectar tiene su salida de señal en la toma de auriculares, deberá ajustar el control de volumen del mismo para que pueda oír el sonido. En caso de que el sonido sea muy intenso y/o distorsionado, reduzca el nivel de volumen del reproductor. Si el sonido no es lo suficientemente intenso, incluso cuando el control de volumen del RA-1520 corresponde a un nivel considerablemente alto, aumente cuidadosamente el nivel de volumen desde el reproductor multimedia.

NOTA: Cuando inserte la clavija de 3'5 mm en la toma Media Player, la entrada del panel posterior designada por AUX se desconectará. Cuando retire la clavija de la toma Media Player, la fuente conectada a AUX volverá a funcionar. En lo que respecta al mando a distancia RR-AT94, utilice los botones Volume +/- para, respectivamente, aumentar o reducir el nivel de volumen.

Salidas Preamplificadas

El RA-1520 incluye una pareja de salidas preamplificadas que pueden enviar una señal de ganancia (nivel) variable a una etapa de potencia o procesador de señal externo. Las salidas preamplificadas utilizan conectores RCA estándar compatibles con las entradas de la inmensa mayoría de etapas de potencia disponibles en el mercado. Utilice cables de alta calidad y asegúrese de conectar las salidas preamplificadas izquierda y derecha del RA-1520 a las entradas correctas del amplificador.

Alimentación y Control

Toma de Corriente Eléctrica

Como consecuencia de su relativamente alta potencia de salida, el RA-1520 puede drenar una cantidad de corriente considerable de la red eléctrica, por lo que debería ser conectado directamente a una toma de corriente polarizada de 2 clavijas. No utilice ningún tipo de cable de extensión. Puede utilizarse una base de enchufes de alta calidad siempre y cuando esté (y también, por supuesto, la toma de corriente ubicada en la pared de su casa) preparada para manejar la corriente exigida por el RA-1520 y todos los componentes conectados al mismo.

Su RA-1520 está configurado en fábrica para que trabaje con la tensión de red correcta que corresponda al país en que haya sido comprado (115 voltios de corriente alterna/60 Hz para Estados Unidos y 230 voltios de corriente alterna/50 Hz para La Comunidad Europea). Dicha configuración está indicada en un lugar visible del panel posterior del aparato. Inserte el cable de red suministrado de serie en el receptáculo AC INPUT situado en el panel posterior del aparato.

NOTA: En caso de que tuviese que desplazar su RA-1520 a otro país, es posible reconfigurarlo para que pueda trabajar con tensiones de red diferentes de la establecida en fábrica. No intente llevar a cabo esta conversión por su cuenta. El acceso al interior del RA-1520 le expone a tensiones peligrosas. Para cualquier información al respecto, le rogamos que contacte con personal cualificado o llame al departamento de asistencia técnica postventa de Rotel.

Si va a estar fuera de su casa durante un largo período de tiempo –por ejemplo las vacaciones de verano–, le recomendamos, como precaución básica, que desconecte su amplificador (así como el resto de componentes de audio y vídeo de su equipo) de la red eléctrica.

Botón POWER e Indicador Luminoso de Puesta en Marcha

Pulse el botón POWER del panel frontal para poner en marcha el RA-1520. El anillo luminoso que rodea dicho botón y el correspondiente a la función de SILENCIAMIENTO (MUTE) se activarán para confirmarlo. Pulse de nuevo el botón POWER para desactivar el RA-1520. Una vez que el RA-1520 se haya puesto en marcha con el pertinente botón de su panel frontal, puede ser situado entre los modos de pleno funcionamiento y de espera ("standby") con el botón POWER del mando a distancia RR-AT94. Asimismo, cuando el aparato esté en el modo de Espera podrá ser activado pulsando uno cualquiera de los botones LISTENING.

Toma para Señal de Disparo de 12 V

Es posible activar y desactivar varios amplificadores Rotel utilizando una señal de disparo de 12 voltios continuos suministrada por la toma 12V TRIGGER. Cuando el RA-1520 es activado, en dicha toma aparece una señal de 12 voltios continuos capaz de poner en marcha un amplificador (etapa de potencia). Cuando el RA-1520 es desactivado, la señal de disparo es interrumpida y el amplificador externo desactivado.

Controles de Audio

Los controles que se describen a continuación son utilizados para manejar el RA-1520.

Control VOLUME

Gire en sentido horario el control VOLUME del panel frontal para aumentar el nivel de volumen o en sentido antihorario para reducirlo. De modo alternativo, pulse los botones VOL del mando a distancia para aumentar o disminuir el nivel de volumen.

Control BALANCE

El Control Balance ajusta el balance izquierda-derecha del sonido reproducido. Normalmente, el control debería dejarse en su posición central. En algunas situaciones, por regla general cuando la posición de escucha principal no está centrada de forma ideal entre las cajas acústicas del equipo, puede ser necesario ajustar el control para conseguir un balance izquierda-derecha adecuado. La rotación del control en sentido antihorario desplaza el balance del sonido hacia la izquierda mientras que si se efectúa en sentido horario dicho balance se desplaza hacia la derecha.

Controles de Tono BASS y TREBLE

Estos dos controles giratorios del panel frontal se utilizan para realizar ajustes de la curva tonal, realzando o atenuando las frecuencias altas (TREBLE) y bajas (BASS). Si no se van a realizar ajustes de la tonalidad, la circuitería correspondiente puede ser evitada con ayuda del conmutador TONE.

Activación/Desactivación de los Controles de Tono

Cuando el conmutador TONE On/Off está situado en la posición Off (hacia fuera), la rotación de los controles de tono TREBLE y BASS no tiene ninguna consecuencia. Este ajuste pone a disposición del usuario un trayecto más directo para la señal de audio a la vez que aporta una pequeña mejora en la calidad sonora que valorarán los aficionados más experimentados y exigentes.

Selector LISTENING

El ajuste de este selector controla cual de las señales de entrada es enviada a las salidas principales y por tanto a la sección de amplificación de potencia del RA-1520 o, dicho de un modo más simple, cual es la fuente que está siendo escuchada. Gire el control del panel frontal hasta situarlo en la fuente que desea utilizar o pulse el correspondiente botón del mando a distancia RR-AT94.

Selector RECORDING

El RA-1520 puede grabar señales procedentes de cualquier fuente de entrada (a excepción de TAPE 2) a un componente de grabación conectado a las salidas TAPE 1 o TAPE 2. Para seleccionar una fuente con el fin de proceder a su grabación, gire el control RECORDING del panel frontal hasta que coincida con la fuente deseada.

Esta selección es independiente de la fuente seleccionada para ser escuchada. Mientras esté grabando, usted tiene la opción de seleccionar una fuente diferente para su escucha utilizando el selector LISTENING.

Si usted dispone de una platina a cassetes de tres cabezales o una platina DAT que permita la grabación y lectura simultáneas, podrá monitorizar dicha grabación situando el conmutador LISTENING en la posición TAPE 1 o TAPE 2.

NOTA: Si selecciona TAPE 1 con el control RECORDING, la señal a grabar estará disponible únicamente en las salidas para grabación TAPE 2 y no en las TAPE 1. Para copiar una cinta, seleccione TAPE 1 y grabe la señal pertinente en la platina conectada a las salidas TAPE 2.

Botón MUTE

Para silenciar temporalmente el sonido del sistema, pulse el botón MUTE del mando a distancia RR-AT94. Pulse de nuevo dicho botón para que el nivel de volumen regrese a su valor original. El indicador luminoso del control de volumen parpadeará cada vez que el RA-1520 sea silenciado.

Toma de AURICULARES

La toma PHONES le permite conectar unos auriculares para escuchar música en la intimidad. Esta salida acepta miniclavijas estereofónicas estándar de 1/8".

Si sus auriculares incorporan un tipo de clavija diferente, como por ejemplo una de 1/4", necesitará un adaptador adecuado. Contacte con su distribuidor autorizado de productos Rotel para que le aconseje al respecto.

NOTA: La conexión de los auriculares no interrumpe el envío de señal a las salidas del RA-1520. Si desea silenciar las cajas acústicas para llevar a cabo una escucha en la intimidad, utilice el selector SPEAKERS.

Selector SPEAKERS

Un conmutador giratorio de cuatro posiciones situado en el panel frontal determina qué pareja de cajas acústicas –en caso de que las haya– está activa. Ajuste el selector SPEAKERS tal como sigue:

OFF: No se oirá ninguna caja acústica. Utilice esta posición cuando escuche música con auriculares.

A: Se oirán las cajas acústicas conectadas a los terminales SPEAKER A.

B: Se oirán las cajas acústicas conectadas a los terminales SPEAKER B.

A+B: Se oirán simultáneamente las cajas acústicas conectadas a los terminales SPEAKER A y SPEAKER B.

Circuitería de Protección

Indicador Luminoso de Protección

El RA-1520 incluye circuitos de protección frente a excesos de temperatura y de corriente que lo protegen frente a posibles daños debidos a fallos internos o condiciones de funcionamiento extremas. Contrariamente a lo que sucede en la mayoría de diseños de su clase, los circuitos de protección del RA-1520 son independientes de la señal de audio y no tienen ningún impacto en el sonido final. Por el contrario, monitorizan la temperatura de los dispositivos de salida (es decir los transistores de potencia) y silencian el amplificador si la temperatura del mismo excede los límites correspondientes a un funcionamiento seguro.

Además, el RA-1520 incluye una protección frente a demandas excesivas de corriente que se activa únicamente cuando la impedancia de carga (es decir de las cajas acústicas) se sitúa en un valor muy bajo. Esta protección es independiente para cada uno de los dos canales del aparato y su activación es indicada por el indicador luminoso de Protección del panel frontal.

En el caso de que se produjese una condición de fallo el amplificador dejaría de funcionar y el indicador luminoso de Protección del panel frontal se activaría.

Si esto sucede, apague el amplificador, déjelo enfriar durante varios minutos e intente identificar y corregir el problema causante de la activación de la circuitería de protección. Cuando ponga en marcha de nuevo el amplificador, el circuito de protección se reinicializará automáticamente y el indicador luminoso de Protección debería apagarse.

En la mayoría de casos, la circuitería de protección se activa debido a la presencia de una condición de funcionamiento erróneo, como por ejemplo cables de conexión a las cajas acústicas cortocircuitados o una ventilación inadecuada que provoque el sobrecalentamiento del aparato. Sólo en casos muy raros una impedancia de las cajas acústicas altamente reactiva o extremadamente baja podría provocar la activación de la circuitería de protección.

Problemas y Posibles Soluciones

La mayoría de dificultades que suelen producirse en los sistemas de audio son el resultado de conexiones realizadas incorrectamente o ajustes inapropiados. En caso de que usted se encuentre con algún problema, aisle en primer lugar el área afectada, compruebe los ajustes de control realizados, determine la causa del fallo y haga los cambios necesarios. Si se ve incapaz de hacer funcionar de nuevo al RA-1520, considere las sugerencias que le damos para las siguientes condiciones:

El Indicador Luminoso de Puesta en Marcha No Se Activa

El indicador luminoso de puesta en marcha debería activarse en el momento de conectar el RA-1520 a una toma de corriente eléctrica y pulsar el botón POWER. En caso de que no se active, compruebe dicha toma con otro dispositivo eléctrico, como por ejemplo una bombilla, y asegúrese de que la misma no esté controlada por un conmutador situado en su posición Off.

Sustitución del Fusible

En el caso de que otro dispositivo eléctrico conectado a la toma anterior funcione correctamente y el indicador luminoso de puesta en marcha del RA-1520 siga sin activarse cuando este último esté conectado a dicha toma, significa que es muy posible que el fusible de protección interno del aparato se haya fundido. Si usted cree que ha sucedido esto, contacte con su distribuidor autorizado de productos Rotel para que le proporcione uno nuevo y se lo instale adecuadamente.

No Hay Sonido

Compruebe la fuente de señal para asegurarse de que esté funcionando correctamente. Asegúrese de que los cables que van desde la fuente de señal a las entradas del RA-1520 estén conectados adecuadamente. Asegúrese de que el selector LISTENING coincida con la entrada adecuada. Asegúrese de que el selector SPEAKERS esté situado en la posición correcta. Compruebe el cableado entre el RA-1520 y las cajas acústicas.

Activación del Indicador Luminoso de Protección

El indicador luminoso de Protección del panel frontal se activa cuando los circuitos de protección del amplificador han interrumpido el funcionamiento normal del aparato. Por regla general, esto solamente suele ocurrir cuando las ranuras de ventilación están bloqueadas, cuando hay una conexión incorrecta de las cajas acústicas o después de un período de utilización intensiva. Desconecte su equipo y espere que el amplificador se enfríe. A continuación pulse el conmutador de puesta en marcha del panel frontal para reinicializar los dispositivos de protección. Si la anomalía no es corregida y vuelve a hacer acto de presencia, significa que hay un problema en su equipo o en el propio amplificador.

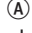

Conflictos con los Códigos de Control del Mando a Distancia

Rotel utiliza los mismos códigos de control para todos sus productos. En aquellos sistemas en los que figuren varios componentes Rotel, es posible que los códigos de control por infrarrojos del mando a distancia suministrado con uno de dichos componentes interfiera con los de otro producto. Tanto el RR-AT94 como el RA-1520 pueden configurarse con códigos de control alternativos para evitar este tipo de conflictos.

Para cambiar los códigos de infrarrojos del RR-AT94, pulse simultáneamente los botones Phono y 2. Para cambiar los códigos de infrarrojos del RA-1520, apunte el RR-AT94 hacia el RA-1520 y a continuación pulse y mantenga pulsado el botón 2 durante 5 segundos. El indicador luminoso del control de volumen parpadeará para indicar que el código de control por infrarrojos ha sido cambiado.

NOTA: Una vez cambiados los códigos de control remoto del preamplificador y del mando a distancia según el procedimiento que se acaba de describir, el mando a distancia dejará de controlar sintonizadores de Rotel. Para que el RR-AT94 recupere sus códigos de infrarrojos por defecto, pulse simultáneamente los botones Phono y 1. Para devolver el código de infrarrojos del RA-1520 a su ajuste por defecto, apunte el RR-AT94 hacia el RA-1520 y a continuación pulse y mantenga pulsado el botón 1 durante 5 segundos. El indicador luminoso del control de volumen parpadeará para indicar que el código de control por infrarrojos ha sido cambiado.

Reinicialización del Código de Control por Infrarrojos

En el caso de que usted necesite reinicializar el código de control por infrarrojos (IR), pulse durante más de 5 segundos el botón MUTE  del mando a distancia RR-AT94 con este último apuntando hacia el RA-1520. El aparato recuperará sus ajustes de fábrica y el indicador luminoso LISTENING  se activará para confirmar que el código de control por infrarrojos ha sido reinicializado. Para más información al respecto, contacte con su distribuidor autorizado de productos Rotel.

Características Técnicas

Potencia Continua de Salida <i>(20-20.000 Hz, THD < 0'03%, 8 ohmios)</i>	60 vatios/canal
Distorsión Armónica Total <i>(20-20.000 Hz)</i> <i>a la potencia nominal, a la mitad de</i> <i>la misma o a 1 vatio</i>	<0'03%
Distorsión por Intermodulación <i>(60 Hz:7 kHz, 4:1)</i> <i>a la potencia nominal, a la mitad</i> <i>de la misma o a 1 vatio</i>	<0'03%
Respuesta en Frecuencia	
Entradas de Línea	20-15.000 Hz, +/-0'2 dB
Entrada Fono	10-100.000 Hz, +1 dB, -3 dB
Factor de Amortiguamiento <i>(20-20.000 Hz, 8 ohmios)</i>	150
Sensibilidad/Impedancia de las Entradas de Línea	170 mV/24 kohmios
Nivel de Saturación de las Entradas de Línea	5 V
Sensibilidad/Impedancia de las Entradas de Fono MM	2'8 mV/47 kohmios
Nivel de Saturación de la Entrada de Fono	170 mV
Nivel/Impedancia de Salida del Preamplificador	1 V/470 ohmios
Relación Señal/Ruido (norma IHF/ponderación A)	mayor que 95 dB
Alimentación	
Versión para EE.UU.	120 voltios/60 Hz
Versión para Europa	230 voltios/50 Hz
Consumo	300 vatios
Dimensiones <i>(An x Al x P)</i>	431x99x339 mm
Altura del Panel Frontal	2U (88'1 mm)
Peso Neto	7'8 kg

Todas estas especificaciones son correctas en el momento de la impresión del presente manual de instrucciones.

Rotel se reserva el derecho a realizar modificaciones en las mismas sin aviso previo.

Rotel y el logotipo Rotel HiFi son marcas registradas de The Rotel Co. Ltd., Tokio, Japón.

Belangrijke Veiligheidsinstructies

Waarschuwingen: Laat u alstublieft het apparaat gesloten, er bevinden zich binnenin geen door u te bedienen of te herstellen onderdelen. Iedere reparatie dient door een gekwalificeerde technicus verricht te worden.

Om het risico op elektrische schokken of brand te vermijden, moet u zorgen dat het apparaat niet nat wordt. Zet dus geen objecten gevuld met water, bv. een vaas bloemen, op het apparaat. Zorg er ook voor dat er geen voorwerpen in de behuizing terecht kunnen komen. Mocht het apparaat toch nat zijn geworden of voorwerpen in de behuizing terecht zijn gekomen, ontkoppel dan meteen het toestel van het lichtnet en breng het naar een erkende audiotechnicus ter controle en/of eventuele reparatie.

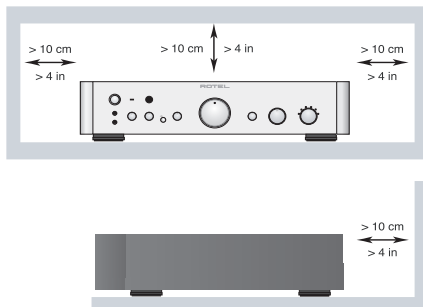
Lees de gehele gebruiksaanwijzing. Voordat u met het apparaat gaat werken is het van groot belang dat u weet hoe u ermee om moet gaan en dat zo veilig mogelijk.

Bewaar deze gebruiksaanwijzing op een plek, die u zich na verloop van tijd nog weet te herinneren.

De waarschuwingen op het apparaat en in de gebruiksaanwijzing zijn belangrijk, sla ze niet in de wind.

Als het apparaat vuil wordt, stof het dan af met een zachte, droge doek, of maak gebruik van een stofzuiger. Gebruik nooit een oplosmiddel van welke soort dan ook.

Gebruik het apparaat niet op natte of vochtige plaatsen.



Het apparaat moet dusdanig gebruikt worden, dat een behoorlijke koeling niet in het gedrang komt. Laat om het apparaat minstens een ruimte van 10cm. vrij.

Gebruik het apparaat dus niet op: een bed, een sofa, een plaid of andere onregelmatige oppervlakken waardoor de ventilatiegaten geblokkeerd zouden kunnen worden. Ook het inbouwen in een te kleine ruimte kan een voldoende koeling in de weg staan.

Het apparaat moet verre gehouden worden van warmtebronnen zoals: radiatoren en kachels, maar ook van andere versterkers.

LET OP: Uiterst rechts op de achterzijde van het apparaat bevindt zich de lichtmetaansluiting. Zorg ervoor dat het apparaat zo is opgesteld dat u er te allen tijde bij kunt.

Het apparaat mag alleen aangesloten worden op het voltage, zoals aangegeven op de achterzijde. Hier in de Benelux 230V/50Hz.

Het apparaat dient alleen aangesloten te worden middels de bijgeleverde netkabel of een soortgelijk. Doe in ieder geval nooit iets met het netsnoer. Doe ook geen pogingen om de aarding of polariteit van het apparaat te wijzigen en gebruik geen verlengkabels.

De lichtnetstekker van het apparaat kan losgekoppeld worden. Om er echter zeker van te zijn dat hij echt losgekoppeld is, kunt u beter het lichtnetsnoer uit het muurcontact halen. Het stand-by lampje kan niet aan om u te tonen dat de versterker werkelijk van het lichtnet is verwijderd.

De lichtnetkabel dient te neergelegd te worden, dat hij niet in het looppad ligt of geklemd kan worden tussen scherpe voorwerpen. Vooral de aansluitpunten zijn belangrijk: de aansluiting op de wandcontactdoos en daar waar de kabel op het apparaat wordt aangesloten.

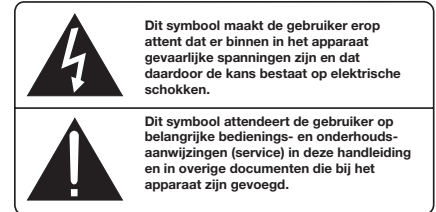
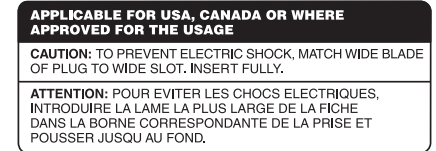
Wanneer het apparaat voor langere tijd niet gebruikt wordt en tijdens onweer, dient de lichtnetkabel uit het lichtnet verwijderd te zijn.

Gebruik alleen die accessoires, die door de fabrikant aanbevolen worden.

Plaats het apparaat op een vast plat oppervlak, sterk genoeg om zijn gewicht te dragen. Vermijd verrijdbare instabiele opzetmeubels.

Het apparaat zal in service gegeven moeten worden wanneer één van de volgende situaties zich voordoet:

- Wanneer het netsnoer en/of stekker beschadigd zijn.
- Wanneer er toch voorwerpen/vloestof in het apparaat terecht zijn gekomen.
- Als het apparaat in de regen heeft gestaan.
- Als het apparaat niet normaal functioneert of een duidelijk afwijkend gedrag vertoont.
- Wanneer het apparaat gevallen is en/of de kast beschadigd is.



Rotel Producten worden zo ontworpen dat zij voldoen aan de internationale regels betreffende de beperking van milieuvriendelijke grondstoffen die gebruikt kunnen worden in elektrische en elektronische apparatuur. Het symbool met de vuilcontainer met het kruis erdoor betekent voor u dat u, wanneer u dit apparaat wilt afvoeren, dit moet doen volgens de regels die daarvoor hier gelden.

Dit symbool wil zeggen dat het betreffende apparaat dubbel geaard is. Een separate aarding is dus overbodig.



Inhoud

Figure 1: De bedieningsorganen en aansluitingen	3
Figure 2: De afstandsbediening RR-AT94	3
Figure 3: De signaalgangen en de luidsprekeruitgangen	4
Héél belangrijk:	5
Belangrijke Veiligheidsinstructies	37
Wij van Rotel	38
Hoe zit het nou met die "Watten"?	38
Aan de slag met de RA-1520	39
Een paar voorzorgsmaatregelen	39
Een plek voor de RA-1520	39
De bekabeling	39
De afstandsbediening	39
De bedieningsorganen voor het geluid (A)(B)(C)(E)	40
De CD functies (D)(G)	40
De DVD functies (G)	40
De tuner functies (D)(F)	40
Het afstandsbedieningsoog [3]	40
Het inbrengen van de batterijen	40
De externe afstandsbedieningsingang "EXT REM IN" [16]	40
De uitgang van het afstandsbedieningssignaal "IR OUT" [17]	40
De luidsprekeraansluitingen	40
Luidsprekerimpedantie	40
Keuze van de luidsprekerkabel	41
Alles in fase	41
De luidsprekeraansluitingen [23][24]	41
Het aansluiten van de ingangen	41
De pick-up aansluitingen met aardverbinding [15][14]	41
De lijnniveau-ingangen [19]	41
De verbindingen met een opname/weergaveapparaat [20][21]	41
De ingang voor draagbare audioapparaten [4]	41
De voorversterker uitgangen [22]	42
Het aansluiten op het lichtnet	42
De lichtaansluiting [25]	42
De aan/uitschakelaar met bijbehorende indicator [1]	42
De 12v. TRIGGER uitgang [18]	42
De bedieningsorganen	42
De geluidsterkteregelaar "VOLUME" [10](C)	42
De balansregeling "BALANCE" [11]	42
De lage en hoge tonenregeling [7][9]	42
De aan/uitschakelaar van de toonregeling [8]	42
De ingangskeuzeschakelaar "LISTENING" [13](B)	42
De opnamekeuzeschakelaar "RECORDING" [12]	42
De stiltetoets "MUTE" (A)	43
De hoofdtelefoonuitgang "PHONES" [5]	43
De luidsprekerkeuzeschakelaar "SPEAKERS" [6]	43
Het beveiligingscircuit	43
De beveiligingsaanduiding "PROTECTION" [2]	43
Wat te doen bij problemen?	43
De lichtnetindicator werkt niet	43
Het vervangen van de zekering	43
Geen geluid	43
De beveiligingsindicator licht op	43
Codeproblemen met de afstandsbediening	44
Het opnieuw instellen van de infraroodcode	44
Technische gegevens	44

Wij van Rotel

Onze geschiedenis begon bijna 50 jaar geleden. Gedurende die tijd mochten we honderden onderscheidingen ontvangen en hebben we honderdduizenden mensen, die hun thuisamusement serieus nemen – zoals u – gelukkig kunnen maken.

Rotel werd opgericht door een familie met een gepassioneerde betrokkenheid bij muziek, die hen leidde tot het produceren van geluidsapparatuur van onberispelijke kwaliteit. In de loop der jaren is die passie onveranderd gebleven en het familiedoel om audiofielen en muzikliefhebbers, ongeacht hun budget, topkwaliteit te bieden, wordt nog steeds door iedere Rotel-medewerker gesteund.

Rotel's technici werken als een hecht team al tweakend en luisterend totdat ieder nieuw product dat muzikale niveau heeft bereikt, dat hun bij de aanvang van het project voor ogen stond. Zij worden volkomen vrijgelaten in hun keuze van componenten, waar ze ook op de wereld vandaan moeten komen. In Rotel apparatuur kunt u condensatoren tegenkomen uit Duitsland en Engeland, of half geleiders uit Amerika en Japan. De ringkerntransformatoren komen echter altijd uit eigen huis.

We maken ons allemaal zorgen over het milieu. Daar er steeds meer elektronica-producten worden gefabriceerd en ook later weer worden afgedankt, is het voor een fabrikant van het grootste belang om er alles aan te doen, producten te vervaardigen die een zo min mogelijk negatieve impact hebben op natuur en grondwater.

Bij Rotel zijn we er trots op ons steentje te kunnen bijdragen. We hebben bijvoorbeeld het aandeel lood in onze elektronica aanzienlijk teruggebracht door over te stappen op een speciaal ROHS (Restriction of Hazardous Substances) soldeer, terwijl wij onze klasse D (niet de D van digitaal) versterkers vijfmaal zo efficiënt gemaakt hebben t.o.v. onze vroegere ontwerpen, met handhaving van vermogen en prestatie. Ze blijven koel, vermorsen vrijwel geen energie meer, zijn dus minder belastend voor het milieu en klinken nog beter ook! Tussen twee haakjes, deze handleiding is gedrukt op hergebruikt papier.

Wij realiseren ons dat dit de eerste stapjes zijn, maar ze zijn voor ons zeer belangrijk en we blijven nieuwe wegen en materialen zoeken voor een schonere en meer "groene" productiewijze. Door de aanschaf van dit product danken wij u voor het in ons gestelde vertrouwen en wensen wij u er veel en langdurig plezier mee.

Hoe zit het nou met die "Watten"?

Het uitgangsvermogen van deze versterker wordt opgegeven als 60 Watts per kanaal, terwijl beide kanalen op vol vermogen functioneren. Rotel heeft ervoor gekozen het vermogen op deze wijze te specificeren, omdat het de ervaring is, dat dat de meest waarheidsgetrouwe weergave van de vermogensprestaties van een versterker of receiver is.

Als u de specificaties van de diverse producten met elkaar vergelijkt, zult u ontdekken dat de vermogensgegevens meestal op andere en verschillende wijzen worden vermeld. Zo kan, bij voorbeeld, het vermogen opgegeven worden tijdens het functioneren van slechts één kanaal, waardoor de cijfers ineens veel hogere waarden aangeven. De overgestabiliseerde voedingen van Rotel's klasse D geschakelde versterkers verzekeren u ervan dat het opgegeven vermogen altijd gehaald wordt, of er nu één of beide kanalen gebruikt worden.

De hoogte van de impedantie van een luidspreker betekent de elektrische weerstand of belasting voor de aangesloten versterker, meestal 8Ω (Ohm) of 4Ω . Hoe lager de impedantie des te meer vermogen zal de versterker moeten leveren. In essentie vraagt een 4Ω luidspreker tweemaal zoveel vermogen als een 8Ω luidspreker.

Rotel versterkers echter zijn ontworpen om met luidsprekers te werken tussen 4Ω en 8Ω op vol vermogen en met alle kanalen tegelijk aangestuurd. Omdat een Rotel-opzet te allen tijde is ontworpen om te functioneren met alle beschikbare kanalen tegelijk in bedrijf, is Rotel instaat om bij deze versterker het reële vermogen op te geven voor beide kanalen.

Aan de slag met de RA-1520

Wij danken u voor de aanschaf van onze RA-1520 stereoversterker. Wij zijn er van overtuigd dat hij te midden van de andere componenten u jarenlang veel luisterplezier zal schenken.

De RA-1520 is een topkwaliteit stereoversterker met vele mogelijkheden. Hij is zo ontworpen dat het complete signaal met al z'n subtiele nuances met groot aplomb wordt weergegeven. Om dit te presteren is hij uitgerust met een precisie geregelde voeding. Deze is toegerust met een voor Rotel ontworpen ringkerntransformator en speciaal voor deze voeding ontworpen "sliffoil-condensatoren". Dit totaal zorgt voor de energie, die nodig is om aan alle eisen van het muzieksignaal te voldoen. Het is een kostbare manier van versterkers maken, maar het is dan ook voor een goede zaak: muziek.

De beide circuits op de printboards zijn volkomen symmetrisch opgebouwd. Deze symmetrie zorgt ervoor, dat de integriteit van het signaal gewaarborgd blijft. Bij ongelijke signaalwegen krijgt u namelijk een licht tijdsverschil tussen het linker en rechter kanaal, met alle vervelende gevolgen van dien. In de signaalweg op de PCB's gebruiken wij uitsluitend metaalfilmweerstand en polystyreen of polypropyleencondensatoren, want alle aspecten van dit ontwerp zijn maar met één doel voor ogen gemaakt: de natuurgetrouwe reproductie van muziek.

Bij dit alles hebben wij nog wat leuke dingen t.b.v. het bedieningsgemak toegevoegd. Zoals een gescheiden schakeling voor luisteren en opnemen. U kunt nu opnemen van de ene bron terwijl u luistert naar de andere.

In zowel bediening als installatie is de RA-1520 een recht toe recht aan ontwerp. Heeft u ervaring met andere apparatuur dan zal u dat spoedig ontdekken. De plugjes aansluiten, de stekker in het stopcontact en genieten maar.

Een paar voorzorgsmaatregelen

Leest u vooral goed de gebruiksaanwijzing. Er staat behalve over het installeren en de bediening, belangrijke informatie in over de wijze waarop u de RA-1520 in uw installatie moet inpassen alsmede algemene richtlijnen om het maximale uit uw audio-installatie te halen. Mocht u, ondanks onze pogingen om het u zo duidelijk mogelijk te maken, toch nog vragen hebben aarzel dan niet om met uw Rotel-dealer contact op te nemen, hij heeft vast en zeker de antwoorden.

Bewaar als het even kan de verpakking. Altijd handig bij een eventuele verhuizing of wanneer het apparaat opgestuurd moet worden voor reparatie, want er is geen betere bescherming tijdens transport dan zijn eigen doos.

Dit zijn Rotel's algemene garantievoorwaarden: 5 jaar op de elektronische onderdelen, 2 jaar op de mechanische onderdelen en 1 jaar op een laserunit. Voor het claimen van garantie moet u wel in het bezit zijn van de originele aankoopfactuur. De garantie is niet overdraagbaar.

Een plek voor de RA-1520

De plaats voor het apparaat moet vlak zijn, vrij van vocht, trillingen en hoge temperaturen. Stel het apparaat niet bloot aan directe zonnestralen en sluit het niet op in een niet geventileerde ruimte.

De RA-1520 kan tijdens zijn werk redelijk warm worden. De koelribben en de ventilatieopeningen zijn er echter voor om deze warmte adequaat af te voeren. Die ventilatieopeningen aan de bovenkant moeten vrij zijn en de hele versterker moet een ruimte van ongeveer 10cm. om zich heen hebben. Alleen onder deze omstandigheden kan de koeling goed zijn werk doen.

Controleer of de plank waarop, of het meubel waarin u de versterker zet, het gewicht wel kan torsen. Wij raden u aan de RA-1520 te gebruiken in een speciaal audiomeubel. Daarin kan hij op zijn eigen plank staan. Zet hem nooit op een eindversterker. Zodoende voorkomt u oververhitting, brom en interactie met andere componenten uit de hifiketen. Goede audiomeubels zijn stevig gemaakt en onderdrukken en verminderen daarmee valse resonanties, aartsvijand nummer 1 in een muziekinstallatie. U zou het niet zeggen maar een meubel kan dus in goede en kwade zin uw installatie danig beïnvloeden. Vraag uw Rotel dealer om advies, hij weet er alles van!

De RA-1520 is uitgerust met een infrarood afstandsbediening en de versterker moet dus uit dien hoofde visueel bereikbaar zijn voor de meegeleverde RR AT94.

De bekabeling

Houd de lichtmetkabel, de digitale en analoge signaalkabels uit elkaar. Dit vermindert de kans dat het lichtnet of de digitale informatie invloed kan uitoefenen op het analoge signaal. Ook het gebruik van hoge kwaliteits verbindingskabels voorkomt signaalvervuiling van buitenaf. Als het goed is weet uw Rotel leverancier hier alles van.

De afstandsbediening

Zoals boven al gemeld hebben wij bij de RA-1520 de afstandsbediening RR-AT94 gedaan en deze bedient bijna alle functies van deze versterker. Daarbij kan hij ook de basisfuncties van vele Rotel cd- en dvd-spelers en tuners bedienen.

De bedieningsorganen voor het geluid **A** **B** **C** **E**

De RR-AT94 dupliceert hoofdzakelijk de basisfuncties van de RA-1520 op de voorkant van de versterker. Wanneer op beide apparaten de functies aanwezig zijn worden bij de uitleg zowel een nummer (zie de betreffende versterkerfiguur) en een letter (zie de betreffende figuur van de afstandsbediening) weergegeven. Voorbeeld: u kunt het volume regelen middels zowel de volumeregelaar op de versterker als de betreffende toetsen op de afstandsbediening. Is er slechts één aanduiding dan betreft het een bedieningsfunctie die slechts op één van beide voorkomt.

De CD functies **D** **G**

De afspelen- (PLAY), stop- (STOP), pauze- (PAUSE), nummerkeuze- (TRACK ±), en de hussel- (RANDOM) functie en de numerieke toetsen (1-10) van vele Rotel cd-spelers worden bediend wanneer de CD toets op de afstandsbediening wordt gebruikt.

De DVD functies **G**

De afspelen- (PLAY), stop- (STOP), pauze- (PAUSE), nummerkeuze- (TRACK ±), van de Rotel dvd-spelers worden bediend wanneer de AUX 1 toets op de afstandsbediening wordt gebruikt.

De tuner functies **D** **F**

Nadat u de toets "TUNER" op de afstandsbediening heeft ingedrukt komen de toetsen "BAND", "TUNING" en andere met een Rotel tuner verband houdende toetsen tot uw beschikking.

EXTRA INFORMATIE: *Vanaf de fabriek ingesteld kunt u via de afstandsbediening de Rotel tuners RT-1080, RT-1082 en de RT-1084 direct bedienen. Middels herprogrammeren kan de RR-AT94 ook geschikt gemaakt worden voor de RT-940AX. Dit herprogrammeren behoeft maar eenmaal gedaan te worden.*

Het programmeren voor de RT-940AX: Druk tegelijkertijd op de toets "POWER" **E** en de numerieke toets "2" van de afstandsbediening.

Het programmeren voor de RT-1080, RT-1082 en de RT-1084: Druk tegelijkertijd op de toets "POWER" **E** en de numerieke toets "1" van de afstandsbediening.

Het afstandsbedieningsoog **A**

Het oog op de voorkant van de versterker ontvangt de commandosignalen van de afstandsbediening. Zorg ervoor dat niets de signalen in de weg staat anders kan de afstandsbediening niet op de juiste wijze zijn werk verrichten.

Direct zonlicht en/of beïnvloeding van halogeenverlichting dient ook vermeden te worden. Alhoewel de afstandsbediening weinig energie gebruikt is regelmatige controle van de batterijen een must voor het goed functioneren van de afstandsbediening.

EXTRA INFORMATIE: *Om de afstandsbediening juist te gebruiken, moet u hem richten op de voorkant van de versterker.*

Het inbrengen van de batterijen

De meegeleverde AAA batterijen (minipenlights) moeten geïnstalleerd worden voordat u de afstandsbediening kan gebruiken. Daarvoor opent u het klepje achterop de afstandsbediening. U brengt nu de batterijen aan op de manier zoals op de afstandsbediening staat aangegeven. Test nu de RR-AT94 op juiste werking en sluit het batterijcompartiment. Wanneer de batterijen uitgeput raken zal de afstandsbediening de RA-1520 niet meer altijd correct instrueren. Verse batterijen is dan ons advies.

De externe afstandsbedieningsingang "EXT REM IN" **B**

Deze 3.5mm mini-jackplug aansluiting genaamd "EXT REM IN" kan commando's ontvangen van een industriestandaard infrarood ontvanger, of van een Rotel toetsenbord, die elders in de ruimte geplaatst kunnen worden. Het aansluiten van een dergelijke ontvanger kan zeer waardevol zijn als u uw installatie in een gesloten meubel geplaatst heeft, waar geen infraroodsignalen naar binnen kunnen.

Neem contact op met uw Rotel leverancier, hij weet hoe u dat doen moet en wat u daarvoor nodig heeft.

EXTRA INFORMATIE: *De signalen die binnenkomen op de "EXT REM IN" aansluiting kunnen doorgestuurd worden naar broncomponenten, door gebruik te maken van externe infraroodzenders, die aangesloten worden op de "IR OUT" aansluitingen **B** van de RA-1520.*

De uitgang van het afstandsbedieningssignaal "IR OUT" **B**

Deze uitgang stuurt signalen, die ontvangen worden door "EXT REM IN" naar een infraroodzender, welke die commando's weer doorgeeft aan andere broncomponenten of via een vaste bedrading naar (Rotel) bronnen met een ingang voor afstandsbedieningssignalen, zoals cd-spelers, dvd-spelers en tuners.

Ook deze mogelijkheid kan zeer waardevol zijn als u uw installatie in een gesloten meubel geplaatst heeft, waar geen infraroodsignalen naar binnen kunnen.

Neem contact op met uw Rotel-leverancier, hij weet hoe u dat doen moet en wat u daarvoor nodig heeft.

EXTRA INFORMATIE: *Remove the batteries from the remote if it will not be used for a long period of time. Do not leave run down batteries in the remote control; they can leak corrosive chemicals which will damage the unit.*

De luidsprekeraansluitingen

Zie figuur 3

De RA-1520 heeft de mogelijkheid twee stel luidsprekers aan te sluiten: een stel "A" en een stel "B". Met de luidsprekerkeuzeschakelaar "SPEAKERS" kunt u uw keuze aan de versterker kenbaar maken.

Luidsprekerimpedantie

Als u slechts één stel luidsprekers op de RA-1520 wilt aansluiten mag de impedantie van deze luidsprekers 4 Ohm zijn. Als u echter twee stel luidsprekers op de RA-1520 wilt aansluiten mag de impedantie van iedere individuele luidspreker niet lager zijn dan 8 Ohm. Hoewel de opgegeven impedantie van de meeste luidsprekers verre van precies is, zal de RA-1520 weinig problemen hebben met de meeste luidsprekers. Heeft u twijfels raadpleeg dan uw Rotel leverancier.

Keuze van de luidsprekerkabel

We kunnen het wel van de daken roepen: onderschat niet het belang van een goede luidsprekerverbinding. U kunt natuurlijk gewoon draad gebruiken, maar dat is zonde van de versterker die u zojuist heeft aangeschaft. Als u er niet zoveel aandacht aan wilt schenken koop dan in ieder geval kabel die zo dik mogelijk is. Uw versterker is echter meer waard: echte hoogwaardige luidsprekerkabel. Er zijn vele soorten en kwaliteiten, raadpleeg uw vakkundige Rotel leverancier, hij kan u van de juiste informatie over dit zeer belangrijke onderwerp voorzien.

Alles in fase

Het is niet alleen belangrijk dat u de luidsprekers met de juiste kanalen verbindt, (hiermee bedoelen wij links aan links en rechts aan rechts), maar ook dat u ze correct aansluit t.o.v. het signaal. Kortom, de luidsprekers moeten "in fase" worden aangesloten. Zorg ervoor dat de + (rood) van de speaker aan de + van de versterker is aangesloten en dus de - (zwart) van de speaker aan de - van de versterker. Bij goede luidsprekerkabel is, om het u gemakkelijk te maken, de fase meestal aangeduid middels een tekst die op één van de twee aders is afgedrukt, of één van de twee geleiders is gemerkt met een kleur. Als u die tekst of kleur op alle kanalen als plus heeft aangehouden, dan weet u dat u het goed gedaan heeft. Controle is dan ook niet meer noodzakelijk.

De luidsprekeraansluitingen

Bij het aansluiten van de luidsprekers moeten alle componenten uitstaan! De RA-1520 is aan de achterzijde uitgerust met kleurgecodeerde luidsprekeraansluitingen. Ze kunnen gebruikt worden, met gestripte kabel, de bekende vorkjes en middels banaanpluggen. Deze laatste zijn echter hier in de EU verboden te gebruiken.

Rol de kabel uit van de RA-1520 naar de luidsprekers. Gebruik genoeg kabel om eventueel bij calamiteiten de luidsprekers of de versterker te kunnen verschuiven. Bij gebruik van de (verboden) banaanpluggen moet u de aansluitingen wel eerst helemaal aandraaien.

Wenst u vorkjes te gebruiken, monteer deze dan eerst aan de kabels, om ze vervolgens achter de aansluitingen vast te draaien. Bij directe aansluiting stript u eerst de kabel ongeveer 1.5cm. af, vervolgens draait u de aansluitingen open en steekt de kabel door het dwarsgat of om de as en draait u tenslotte de aansluitingen weer stevig vast. Let op, dat u de kern bij het strippen niet beschadigt.

EXTRA INFORMATIE: *Let goed op, of u bij het aansluiten geen sluiting maakt. Losse draadjes van de ene aansluiting kunnen nog wel eens de neiging hebben die van de andere aansluiting op te zoeken en de versterker vindt dat niet prettig.*

Het aansluiten van de ingangen

Zie figuur 3

De RA-1520 heeft lijnniveau ingangen voor de bronnen, aansluitingen voor opname apparatuur en een voorversterker uitgang voor het aansturen van een externe eindversterker.

EXTRA INFORMATIE: *Om ongelukken te voorkomen: zet alle apparatuur uit wanneer u de onderstaande verbindingen maakt.*

De pick-up aansluitingen met aardverbinding

Verbindt de platenspeler met de "PHONO" ingangen van de RA-02. Let erop dat u links en rechts correct aansluit. Het (meestal) witte plugje is links en het rode is rechts. Sommige platenspelers hebben een z.g. aarddraad monteer deze achter het schroefje links van de schakelaar .

De lijnniveau-ingangen

De RA-1520 bezit drie stel conventionele lijningangen voor een cd-speler, een videorecorder, een tuner, een laserdiskspeler of een dvd-speler. De naamplaatjes zijn: CD, TUNER, AUX.

"LEFT" en "RIGHT" staan uiteraard voor links en rechts, let u er wel op dat u dat, i.v.m. een correct stereobeeld, juist aan sluit. Wit staat voor links en rood staat voor rechts. Nogmaals wij adviseren u kabels van een beter type te gebruiken dan welke bij gemiddelde apparatuur wordt bijgeleverd. Uw RA-1520 leverancier weet vast welk soort wij bedoelen.

De verbindingen met een opname/weergaveapparaat

"TAPE 1" en "TAPE 2" zijn z.g. dubbelaansluitingen: twee voor opname en twee voor weergave en werken op lijnniveau. Ze zijn bedoeld voor het aansluiten van een cassettedeck, ze kunnen natuurlijk voor alle soorten opname/weergave apparatuur gebruikt worden, zoals voor een spoelenrecorder, een hifi videorecorder, een minidiskrecorder etc.

De "IN" aansluitingen zijn ingangen en bedoeld voor de uitgangen (weergave) van het apparaat. De "OUT" aansluitingen zijn uitgangen en bedoeld voor de ingangen (opname) van het apparaat. Ook hier staan "LEFT" en "RIGHT" voor links en rechts, sluit dat correct aan en nogmaals: gebruik goed kabelmateriaal.

EXTRA INFORMATIE: *De tape-ingangen kunnen uiteraard voor alle soorten lijnbronnen gebruikt worden. De uitgangen laat u dan voor wat ze zijn.*

De ingang voor draagbare audioapparaten

De voorkant van de RA-1520 is voorzien van een 3.5mm stereo mini-jackingang, deze is bedoeld om een draagbare muziekweergever op aan te sluiten. U kiest deze ingang door op de toets "AUX" te drukken. Iedere draagbare cassette-, of cd-speler of speler met een harde schijf kan op deze ingang worden aangesloten.

Als een dergelijk weergaveapparaat op de RA-1520 wordt aangesloten vanaf zijn hoofdtelefoonuitgang, weet dan, dat u moet manipuleren met zijn sterkteregelaar om geluid te kunnen produceren. Als bij een gemiddelde stand van de volumeregelaar van de RA-1520 het geluid te hard of vervormd klinkt, draai dan de volumeregelaar van de speler wat terug. Is het geluid aan de zachte kant draai zijn volumeregelaar dan wat op. Handel in ieder geval voorzichtig met de geluidsterkteregelaar van de speler.

EXTRA INFORMATIE: *Als u gebruik maakt van deze ingang, wordt de ingang AUX op de achterkant automatisch ontkoppeld. Verwijdert u de plug aan de voorkant dat wordt de ingang AUX weer geactiveerd.*


De voorversterker uitgangen

De RA-1520 is uitgerust met een paar geregelde voorversterkeruitgangen voor het eventueel aansturen van een extra eindversterker of een processor. Het zijn gewone cinch aansluitingen, dus geschikt voor vrijwel iedere commercieel verkrijgbare eindversterker. We zeggen het nog maar eens: gebruik ook hiervoor goede verbindingkabels. Wederom: denk om links (wit) en rechts (rood).

Het aansluiten op het lichtnet

De lichtaansluiting


De RA-1520 gebruikt door zijn grote vermogen nogal wat energie, daarom adviseren wij u het apparaat niet aan te sluiten via een verlengsnoer, maar rechtstreeks of via een hoogwaardig lichtnet-filter op een eventueel gepolariseerde lichtnetaansluiting. Gebruik nooit een verlengsnoer. Check even of de groep waarop u uw hele installatie wilt aansluiten wel ruim genoeg gezekeerd is.

Trek nooit de stekker uit de wandcontactdoos door aan het snoer te trekken. Dit apparaat is ontworpen om aangesloten te worden op het lichtnet (220/230 Volts wisselspanning). Sluit het nooit aan op een lichtnet met een hoger voltage want dit kan moeilijkheden veroorzaken. Heeft u twijfel over het correcte voltage: het staat genoteerd op de sticker op de achterkant van het apparaat. Stop de voedingskabel in de lichtnetingang  van het apparaat.

EXTRA INFORMATIE: Mocht u ooit moeten verhuizen naar een land met een ander voltage, dan is de versterker op dat andere voltage in te stellen. Doe deze operatie NIET zelf, maar laat hem verrichten door uw Rotel leverancier. Deze handelingen zijn voor een niet ingewijde niet van gevaar ontbloot.

Als u van plan bent om langdurig van huis te zijn, adviseren wij u uw gehele beeld en geluidsinstallatie (dus ook de RA-1520) van het lichtnet te ontkoppelen.

De aan/uitschakelaar met bijbehorende indicator

Met het indrukken van de "POWER" toets op het front van de versterker, zet u het apparaat aan, een ring om de toets licht nu op, alsmede het ledje van de stiltefunctie "MUTE". Nog een keer drukken zet het apparaat weer uit. Wanneer de RA-1520 eenmaal aangezet is middels de toets "POWER" kan hij aan- en uitgezet (STAND-BY) gezet worden middels de toets "POWER"  op de afstandsbediening. Ook kan de versterker dan aangezet worden met één van de luistertoetsen "LISTENING".

De 12v. TRIGGER uitgang

Er zijn een paar Rotel eindversterkers die middels een 12 volts triggersignaal op afstand aan/uit gezet kunnen worden. De aansluiting "12V TRIGGER OUT" geeft dit signaal. Wanneer u de RA-1520 aanzet komt het signaal op deze aansluiting en brengt het de betreffende eindversterkers tot leven. Zet u de RA-1520 weer uit (STAND-BY) dan gaat ook die eindversterker weer uit.

De bedieningsorganen

De onderstaande toetsen en knoppen zijn om de RA-1520 te bedienen.

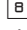
De geluidsterkteregelaar "VOLUME"

De "VOLUME" regelaar regelt het volume van beide kanalen tegelijk: rechtsom vermeerderd en linksom vermindert het niveau. De alternatieve manier werkt via de afstandsbediening met de "VOL" toetsen.

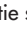
De balansregeling "BALANCE"

Met de balansregelaar "BALANCE" regelt u de relatieve geluidsterkte van de beide kanalen. Als alles goed is, staat deze draaiknop in de middenstand. Er zijn echter situaties denkbaar waarin het evenwicht van het geluidsbeeld niet optimaal is en voor dergelijke omstandigheden kan het nodig zijn de balans wat te verleggen. Naar rechts draaien van de knop "BALANCE" laat het geluidsbeeld naar rechts verschuiven en naar links draaien vershuift het geluidsbeeld naar links.

De lage en hoge tonenregeling

Wanneer u de schakelaar "TONE"  heeft ingedrukt kunt u de toonbalans beïnvloeden middels de draaiknopjes "BASS" (lage tonen) en "TREBLE" (hoge tonen). Naar rechts draaien vermeerderd het lage-respectievelijke hogetoneaandeel van het geluidsspectrum en naar links draaien vermindert hun aandeel. Een goed ingerichte kwaliteits audioinstallatie produceert zijn meest natuurlijke klankweergave zonder, of met zeer geringe gebruikmaking van de toonregelcircuits. Wees vooral voorzichtig met het opdraaien van de toonregelingen. Door het opdraaien gaat u het lage- c.q. hogetone aandeel versterken, wat een hogere belasting voor zowel uw versterker als uw luidsprekers betekent.

De aan/uitschakelaar van de toonregeling

Wanneer de schakelaar "TONE"  in de uitpositie staat (niet ingedrukt), is het gehele toonregelingscircuit uitgeschakeld. Dit is de meest pure vorm van muziekweergave. Laat, als u de toonregeling niet nodig heeft deze functie dus uit staan. Wenst u de toonregeling te gebruiken, druk dan eerst deze toets in.

De ingangskeuzeschakelaar "LISTENING"

Met de luisterkeuzeschakelaar "LISTENING" kiest u de bron waarvan het signaal naar de lijnuitgangen en de eindtrappen gaat. Kortom de bron waarnaar u wenst te luisteren. Draai de schakelaar naar de gewenste bron of druk op de corresponderende toets van de afstandsbediening.

De opnamekeuzeschakelaar "RECORDING"

Met de RA-1520 kunt u van iedere aangesloten bron opnemen (behalve van TAPE2) met een opnameapparaat aangesloten op de uitgangen "TAPE1" en "TAPE2". Zet de opnamekeuzeschakelaar ("RECORDING") op de bron waarvan u wenst op te nemen.

De stand van de volumeregelaar en de toonregeling hebben geen invloed op de opname.

Wanneer u van een opnameapparaat gebruikt maakt met een driekoppen functie, bent u instaat om tijdens het opnemen uw opname te beluisteren de z.g. "naband" controle. U doet dat door de luisterkeuzeschakelaar ("LISTENING") op het opnemende apparaat te zetten bv "Tape 1". Wanneer u geen opnames maakt is het raadzaam de opname keuzeschakelaar uit ("OFF") te zetten.

EXTRA INFORMATIE: Wanneer u twee opnameapparaten op de RA-1520 heeft aangesloten is het mogelijk de opname van de machine die aangesloten is op "TAPE 1" over te schrijven naar de machine die aangesloten is op "TAPE 2" (niet andersom). U kunt dat doen door de keuzeschakelaar "RECORDING" op "TAPE 1" te zetten.

De stiltetoets "MUTE"

U kunt middels de afstandsbediening de versterker acuut het zwijgen opleggen door op "MUTE" te drukken. Drukt u nogmaals op deze toets dan herneemt de muziek zich weer op het oude geluidsniveau. Tijdens het zwijgen knippert het lampje in de volumeregelaar van de versterker.

De hoofdtelefoonuitgang "PHONES"

De "HEADPHONE" aansluiting is voor gebruik van de RA-1520 met een hoofdtelefoon uitgerust met een 3.5mm. mini jackplug.

Is uw hoofdtelefoon voorzien van een 6mm plug, dan heeft u een adapter nodig. Uw handelaar weet daar ongetwijfeld raad mee.

EXTRA INFORMATIE: Wanneer u van de hoofdtelefoon-uitgang gebruik maakt, wordt het signaal naar de luidsprekeruitgangen niet onderbroken. Wilt u de rest van het huis dus in ruste houden, dan moet u uw luidsprekers uitzetten met de luidsprekerkeuzeschakelaar "SPEAKERS" .

De luidsprekerkeuzeschakelaar "SPEAKERS"

Met deze vierstandschakelaar kunt u kiezen tussen de twee paar aangesloten luidsprekers.

OFF: Alle luidsprekers zijn uitgeschakeld. Gebruik deze positie om naar de hoofdtelefoon te luisteren.

A: De luidsprekers aangesloten op uitgangen A zijn nu ingeschakeld.

B: De luidsprekers aangesloten op uitgangen B zijn nu ingeschakeld.

A+B: Beide paren luidsprekers zijn nu ingeschakeld.

Het beveiligingscircuit

De beveiligingsaanduiding "PROTECTION"

De RA-1520 is uitgerust met een thermische beveiliging, welke de versterker behoedt voor schade veroorzaakt door foutief of extreem gebruik. Dit beveiligingscircuit werkt niet, zo-als bij vele andere versterkers, afhankelijk van het signaal, dus heeft het geen invloed op de geluidswaergave. De beveiliging houdt continu de temperatuur in de gaten en schakelt de versterker uit wanneer deze te heet wordt.

Bovendien heeft deze versterker een stroombeveiligingscircuit dat hem beschermt tegen te lage luidsprekerimpedanties. Deze beveiliging werkt onafhankelijk per kanaal en wordt getoond door het lampje "PROTECTION"

Mocht deze alarmsituatie zich voordoen, dan stopt de versterker met het produceren van geluid en de beveiligingsindicator gaat branden.

Gebeurt dit, schakel de versterker dan uit, laat hem gedurende enkele minuten afkoelen en probeer er ondertussen achter te komen wat de oorzaak van het probleem zou kunnen zijn en herstel de fout. Wanneer u nu de versterker weer aanzet, zal het beveiligingscircuit zichzelf herstellen en gaat de indicator weer uit.

In de meeste gevallen wordt het beveiligingscircuit geactiveerd door een foutieve aansluiting, bv sluiting in de luidsprekerbedrading, of slechte ventilatie bij een oververhite situatie. Slechts in uitzonderlijke gevallen zal de impedantie (extreem laag) of de inductie (extreem hoog) van een luidspreker de oorzaak zijn van het ingrijpen van het beveiligingscircuit.

Wat te doen bij problemen?

Als er al problemen zijn, zijn deze meestal te wijten aan slechte verbindingen, slecht verbindingsmateriaal of een verkeerde stand van de knoppen/schakelaars. Controleer bij niet functioneren of alle schakelaars en knoppen in de juiste stand staan. Functioneert het één en ander niet zoals het moet, probeer dan door elimineren er achter te komen waar het probleem zit. Werkt dit ook niet volgt u dan onderstaande suggesties:

De lichtnetindicator werkt niet

De lichtnetindicator gaat branden zodra de RA-1520 op het lichtnet wordt aangesloten en wordt ingeschakeld middels de aan/uitschakelaar. Doet de indicator het niet, controleer dan de lichtmetaansluiting waarop de RA-1520 is aangesloten, met een ander elektrisch apparaat bv een schemerlamp.

Het vervangen van de zekering

Ontdekt u met de schemerlampproef dat er wel degelijk spanning staat op het stopcontact en de lichtnetindicator doet het nog steeds niet, dan kon de interne zekering van de RA-1520 wel eens ter ziele zijn. Laat uw handelaar dit klusje voor u klaren.

Geen geluid

Het indicatorlampje brandt wel, maar u hoort nog steeds niets. Controleer dan of de verbindingen tussen de RA-1520 en de gekozen bron wel o.k. zijn en staat die gekozen bron wel aan? Controleer of de gewenste ingang van de reeks LISTENING wel is geactiveerd. Check ook even of de luidsprekerschakelaar "SPEAKERS" correct staat. Hoe is de kwaliteit van de verbindingen tussen de RA-1520 en de luidsprekers? Na al deze controles moet hij het doen. Zo niet u weet uw Rotel-leverancier te vinden.

De beveiligingsindicator licht op

Als de beveiligingsindicator oplicht is er iets loos. Er zijn nu drie mogelijkheden: de ventilatiegaten bovenop de versterker worden geblokkeerd met als gevolg oververhitting, er heerst kortsluiting bij de luidsprekeruitgangen of er is een tijd lang extreem met de versterker aan de gang gegaan. Zet de versterker eerst uit, check dan de eerste twee mogelijkheden. De derde mogelijkheid weet u zelf het best. Wacht een paar minuten om de versterker af te laten koelen. Zet de versterker aan en meteen weer uit om het beveiligingscircuit de gelegenheid te geven zich te herstellen. Als u vervolgens de versterker weer aanzet moet het probleem zijn opgelost. Doet hij het nu nog niet, dan is het tijd om contact met uw leverancier op te nemen.

Codeproblemen met de afstandsbediening

Rotel gebruikt dezelfde afstandsbedieningscodes voor al zijn audioproducten. Het kan echter gebeuren dat in een installatie die uit meerdere Rotel componenten bestaat, de afstandsbediening van het ene component conflicteert met de afstandsbediening van een ander component. Van de combinatie RA-1520/RR-AT94 kunnen de afstandsbedieningscodes gewijzigd worden om een dergelijke conflictsituatie te voorkomen.

Om de codes van de RR-AT94 te veranderen moet u de toetsen "PHONO" en "2" tegelijkertijd indrukken. Om de codes van de RA-1520 te wijzigen richt u vervolgens de RR-AT94 op de RA-1520 en drukt u vervolgens de toets "2" gedurende 5 seconden in. Het lichtje in de volumeregelaar licht nu even op ten teken dat de code veranderd is.

EXTRA INFORMATIE: Als u bovenstaande omzetting heeft gedaan, kunt u echter geen Rotel tuners meer bedienen. Om de RR-AT94 weer terug te brengen naar zijn oorspronkelijke codes, drukt u de toetsen "PHONO" en "1" tegelijkertijd in. Om de code 1 situatie van de RA-1520 weer terug te brengen richt u vervolgens de RR-AT94 op de RA-1520 en drukt gedurende 5 seconden de toets "1" in. Ook dan licht het lampje in de volumeregelaar even op ten teken dat de omschakeling weer gelukt is.

Het opnieuw instellen van de infraroodcode

Om de RA-1520 weer geschikt te maken voor de originele infraroodsignalen van de RR-AT94, richt u deze op de RA-1520 en drukt u gedurende vijf seconden op toets "MUTE" (A). De verlichting van de luistertoets "CD" (B) flitst even op ten teken dat de infraroodcodes weer zijn gewijzigd. Mocht het u onduidelijk zijn, ga dan even te rade bij uw Rotel-leverancier.

Technische gegevens

Continu uitgangsvermogen <i>(20-20.000 Hz. < 0,03% THD, aan 8Ω)</i>	60 Watts per kanaal
Totale harmonische vervorming <i>(20-20.000 Hz.)</i> <i>bij het opgegeven vermogen,</i> <i>half vermogen en 1 watt</i>	< 0,03%
Intermodulatievervorming <i>(60 Hz : 7 kHz., 4 : 1)</i> <i>bij het opgegeven vermogen,</i> <i>half vermogen en 1 watt</i>	< 0,03%
Frequentiebereik	
Pick-up ingang	20-15.000 Hz. ±0.2 dB
Lijningangen	10Hz-100kHz. +1, -3dB
Dempingsfactor <i>(20-20.000 Hz. aan 8Ω)</i>	150
Ingangsgevoeligheid/impedantie Lijningangen	170mV/24kΩ
Overbelasting Lijningangen	5V
Pick-up ingang MM	2.8mV/47kΩ
Overbelasting pick-up ingang	170mV
Voorversterkeruitgang/imp.	1V/470Ω
Signaal/Ruisverhouding <i>(IHF A netwerk)</i>	>95 dB
Lichtnetspanning	
USA	115V/60Hz
EU	230V/50Hz
Opgenomen vermogen	300 Watts
Afmetingen <i>(bxhxd)</i>	431x99x339mm.
Hoogte Voorpaneel <i>(voor rackmontage)</i>	2U (88.1mm.)
Netto gewicht	7.8kg

Gegevens waren correct bij het ter perse gaan.

Rotel houdt het recht voorbehouden om wijzigingen aan te brengen zonder waarschuwing vooraf.

Rotel en het Rotel Hi-Fi logo zijn geregistreerde handelsmerken van The Rotel Co. Ltd. Tokyo, Japan.

Importanti informazioni di Sicurezza

ATTENZIONE: Non vi sono all'interno parti riparabili dall'utente. Per l'assistenza fate riferimento a personale qualificato.

ATTENZIONE: Per ridurre il rischio di incendio e di scossa elettrica non esponete l'apparecchio all'umidità o all'acqua. Non posizionate contenitori d'acqua, ad es. vasi, sull'unità. Evitare che cadano oggetti all'interno del cabinet. Se l'apparecchio è stato esposto all'umidità o un oggetto è caduto all'interno del cabinet, staccate il cavo di alimentazione dalla presa. Portare l'apparecchio ad un centro di assistenza qualificato per i necessari controlli e riparazioni.

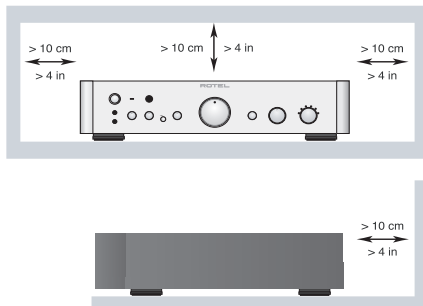
Leggere attentamente tutte le istruzioni prima di collegare l'apparecchio alla rete di alimentazione ed utilizzarlo.

Conservate questo manuale per ogni riferimento futuro alle istruzioni di sicurezza.

Seguire attentamente tutte le avvertenze e le informazioni sulla sicurezza contenute in queste istruzioni e sul prodotto stesso. Seguire tutte le istruzioni d'uso.

Pulire il cabinet solo con un panno asciutto o con un piccolo aspirapolvere.

Non utilizzate questo prodotto vicino all'acqua.



Mantenere 10 cm circa di spazio libero da tutti i lati del prodotto.

Non posizionate l'apparecchiatura su un letto, divano, tappeto, o superfici che possano bloccare le aperture di ventilazione. Se l'apparecchio è posizionato in una libreria o in mobile apposito, fate in modo che ci sia abbastanza spazio attorno all'unità per consentire un'adeguata ventilazione e raffreddamento.

L'unità dovrebbe essere posta lontano da fonti di calore come termosifoni, termoconvettori, stufe, o altri apparecchi che producono calore.

ATTENZIONE: Il cavo di alimentazione sul pannello posteriore è il dispositivo principale di scollegamento dalla alimentazione. L'unità dovrebbe essere posizionata in uno spazio aperto che permetta il libero accesso al connettore del cavo di alimentazione.

L'apparecchiatura deve essere collegata esclusivamente ad una sorgente di alimentazione elettrica del tipo indicato sul pannello posteriore dell'unità. (USA: 120V/60Hz; CE: 230 V/50Hz)

Collegate l'unità alla presa di alimentazione solo con il cavo che viene fornito o con uno equivalente. Non modificate il cavo in dotazione in alcun modo. Non cercate di eliminare la messa a terra o la polarizzazione. Se la spina del cavo ha difficoltà ad entrare nella presa di alimentazione, consultate un elettricista per una eventuale sostituzione della presa difettosa. Non utilizzate prolunghie.

La presa del cavo di alimentazione sul pannello posteriore è il dispositivo principale di scollegamento dalla alimentazione. Per scollegare completamente il prodotto dall'alimentazione, è necessario scollegare fisicamente il cavo di alimentazione dalla presa di corrente AC. Il LED indicatore standby sarà spento per indicare che non c'è alimentazione. Il dispositivo di scollegamento dovrebbe essere sempre facilmente accessibile.

Non fate passare il cavo di alimentazione dove potrebbe essere schiacciato, pizzicato, piegato ad angoli acuti, esposto al calore o danneggiato. Fate particolare attenzione al posizionamento del cavo di alimentazione all'altezza della presa e nel punto in cui esce dalla parte posteriore dell'apparecchio.

Il cavo di alimentazione dovrebbe essere scollegato dalla presa quando l'apparecchiatura rimane inutilizzata per un periodo piuttosto lungo.

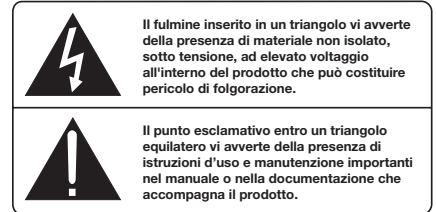
Usate esclusivamente accessori indicati dal produttore.

Utilizzate solo stand, scaffali o supporti indicati da Rotel. Non posizionate il prodotto su un carrello mobile che potrebbe cadere.

Utilizzate cavi per i diffusori isolati in Classe 2 per garantire un adeguato isolamento e limitare eventuali rischi di shock elettrico.

L'apparecchiatura non deve più essere utilizzata, deve essere disattivata immediatamente e fatta ispezionare da personale qualificato quando:

- Il cavo di alimentazione o la spina sono stati danneggiati.
- Sono caduti oggetti, o del liquido è stato versato nell'apparecchio.
- L'apparecchiatura è stata esposta alla pioggia.
- L'apparecchiatura non sembra funzionare in modo normale.
- L'apparecchiatura è caduta, o è stata danneggiata in qualche modo.



I prodotti Rotel sono realizzati in conformità con le normative internazionali: Restriction of Hazardous Substances (RoHS) per apparecchi elettronici ed elettrici, ed alle norme Waste Electrical and Electronic Equipment (WEEE). Il simbolo del cestino con le ruote e la croce sopra, indica la compatibilità con queste norme, e che il prodotto deve essere riciclato o smaltito in ottemperanza a queste direttive.



Questo simbolo indica che questo prodotto è doppiamente isolato. Non è necessario il collegamento della messa a terra.



Indice

Figure 1: Controlli e collegamenti	3
Figure 2: Telecomando RR-AT94	3
Figure 3: Collegamenti dei segnali linea in ingresso e dei diffusori	4
Notas Importantes	5
Importanti informazioni di Sicurezza	45
Alcune informazioni su Rotel	46
Alcune informazioni sui "Watt"	46
Per Cominciare	47
Alcune precauzioni	47
Posizionamento	47
Cavi	47
Telecomando	47
Controlli Audio (A)(B)(C)(E)	48
Funzioni del CD (D)(G)	48
Funzioni DVD (G)	48
Funzioni del sintonizzatore (D)(F)	48
Sensore telecomando (3)	48
Batterie del telecomando	48
Ingresso EXT REM IN (15)	48
Uscita IR (17)	48
Uscite dei diffusori	48
Impedenza dei diffusori	48
Cavi dei diffusori	49
Polarità e fase	49
Collegamento dei diffusori (23)(24)	49
Collegamenti di Segnale	49
Ingresso Phono (15) e Collegamento a terra (14)	49
Ingressi di livello di linea (19)	49
Collegamenti del registratore (20)(21)	49
Ingresso Media Player (4)	49
Uscite pre-out (22)	50
Collegamento Alla Rete e Controlli	50
Ingresso in Corrente Alternata (25)	50
Interruttore di accensione POWER e indicatore di accensione (1)	50
Collegamento segnale TRIGGER 12V (18)	50
Comandi Audio	50
Controllo del volume (10)(C)	50
Selettore Balance (11)	50
Controllo dei toni Bass e Treble (7)(9)	50
Interruttore Tone On/Off (8)	50
Selettore di ascolto (13)(B)	50
Selettore di registrazione (12)	50
Pulsante MUTE (A)	51
Uscita cuffia (5)	51
Selettore dei diffusori (6)	51
Circuito di Protezione	51
Indicatore di protezione (2)	51
Risoluzione dei problemi	51
L'indicatore Power non sia accende	51
Sostituzione del fusibile	51
Nessun suono	51
Il LED indicatore Protection è acceso	51
Conflitti dei codici di controllo del telecomando	52
Reset dei codici IR	52
Caratteristiche tecniche	52

Alcune informazioni su Rotel

La nostra storia ha avuto inizio quasi 50 anni fa. Nel corso del tempo abbiamo ricevuto centinaia di riconoscimenti per la qualità dei nostri prodotti e soddisfatto centinaia di migliaia di audiofili ed amanti della musica. Proprio come voi!

Rotel è stata fondata da una famiglia la cui passione per la musica ha portato alla realizzazione di componenti alta fedeltà di qualità senza compromessi. Attraverso gli anni questa passione non si è affievolita e l'obbiettivo di realizzare apparecchi di straordinario valore per veri audiofili, indipendentemente dal loro budget, continua ad essere condiviso da tutti coloro che vi lavorano.

I nostri progettisti operano in stretto contatto tra loro ascoltando ed affinando ogni nuovo prodotto fino a raggiungere determinati standard qualitativi. Viene loro offerta una totale libertà di scelta sui componenti per ottenere le migliori prestazioni possibili. Non è raro quindi trovare in un Rotel condensatori di fabbricazione inglese o tedesca, semiconduttori giapponesi o americani, con la sola eccezione dei trasformatori di alimentazione, prodotti come tradizione nelle nostre fabbriche.

Noi tutti abbiamo a cuore i temi dell'ambiente. Pensando che al termine della loro vita operativa gli apparecchi elettronici verranno dismessi, è molto importante per un costruttore responsabile fare tutto il possibile affinché abbiano un impatto ambientale il più possibile ridotto.

Alla Rotel siamo orgogliosi di fare la nostra parte riducendo il contenuto di piombo nei nostri apparecchi rispettando rigorosamente la normativa RoHS. Inoltre abbiamo sviluppato amplificatori finali in Classe D (non digitale) fino a cinque volte più efficienti rispetto ai modelli tradizionali a parità di potenza e prestazioni. Questi modelli non producono calore durante il funzionamento, dissipando quindi pochissima energia ed offrono un suono perfino migliore.

Da ultimo poi, abbiamo stampato queste pagine su carta riciclata.

Certamente si tratta di piccoli passi, ma importanti perché nella giusta direzione. Ed è nostra intenzione proseguire, cercando di migliorare i processi produttivi ed utilizzare materiali sempre più rispettosi dell'ambiente.

Noi tutti di Rotel vi ringraziamo per aver acquistato questo prodotto che, siamo sicuri, vi accompagnerà per molti anni di puro divertimento e soddisfazione.

Alcune informazioni sui "Watt"

L'uscita di potenza di questo amplificatore è di 60W per ogni canale, con entrambi i canali in funzione a piena potenza. Rotel ha scelto di indicare la potenza di uscita in questo modo perché nella sua esperienza è il valore più veritiero della effettiva capacità di erogazione del sintoamplificatore o amplificatore.

Quando confrontate le caratteristiche tecniche di diversi prodotti, dovrete tenere conto del fatto che la potenza di uscita viene spesso indicata in vari modi, perciò potreste ritrovarvi a fare confronti con dati discordanti.

Per esempio, la potenza di uscita potrebbe essere indicata in riferimento a due soli canali in funzione, dando l'impressione di essere quindi più elevata.

Il valore dell'impedenza del diffusore indica la resistenza elettrica o carico che offre quando è collegato all'amplificatore, normalmente è pari a 8 o 4 ohm. Più bassa è l'impedenza, maggiore sarà la potenza richiesta dai diffusori. Un diffusore da 4 ohm richiederà il doppio della corrente di uno da 8 ohm.

Comunque, gli amplificatori Rotel sono progettati per lavorare con diffusori con impedenza compresa tra 8 e 4 ohm, e con tutti i canali in funzione a piena potenza. Poiché il design dei prodotti Rotel è ottimizzato per l'uso con tutti i canali in funzione contemporaneamente, Rotel è in grado di specificare la potenza effettiva erogata per entrambi i canali.

Per Cominciare

Grazie per aver acquistato l'amplificatore integrato stereo Rotel RA-1520. Utilizzato in un impianto hi-fi di alta qualità vi garantirà numerosi anni di intrattenimento musicale.

L'RA-1520 è un amplificatore versatile di elevate prestazioni. Tutti gli aspetti del design sono stati ottimizzati per conservare la piena gamma dinamica e per restituirvi anche i minimi dettagli della vostra musica. L'RA-1520 ha uno stadio di alimentazione altamente stabile che comprende un trasformatore specificamente progettato dalla Rotel, oltre a condensatori slit-foil ad alta capacità. Questa alimentazione a bassa impedenza ha ampie riserve di potenza che consentono all'RA-1520 di riprodurre i segnali audio più complessi. Questo tipo di design circuitale è più costoso da realizzare ma è migliore per la musica.

Abbiamo progettato le schede dei circuiti stampati (PCB) con Tracce a Circuito Simmetrico. Ciò garantisce che venga mantenuto e fedelmente riprodotto il tempo esatto della musica. Il circuito dell'RA-1520 contiene resistenze a film metallico e condensatori in polistirene o polipropilene che vengono utilizzati in sezioni importanti sul percorso del segnale. Tutti gli aspetti di questo progetto sono stati studiati con lo scopo finale della più fedele riproduzione sonora.

Inoltre l'RA-1520 dispone di selettori del segnale di ingresso indipendenti per ascolto e registrazione, che vi permettono di ascoltare una sorgente mentre ne registrate una seconda.

Le funzioni principali del RA-1520 sono molto semplici da impostare e da utilizzare. Se avete già esperienza con altri sistemi stereo, non dovrete incontrare alcuna difficoltà. Collegate semplicemente i componenti abbinati e ascoltate la musica.

Alcune precauzioni

Vi preghiamo di leggere con attenzione questo manuale. Insieme alle istruzioni d'uso e di installazione di base, fornisce una valida informazione sulle varie configurazioni del RA-1520 ed altre informazioni generali che vi aiuteranno a sfruttare al meglio il vostro sistema. Siete pregati di mettervi in contatto con il vostro rivenditore autorizzato Rotel per eventuali domande o dubbi. Inoltre, tutti noi della Rotel saremo lieti di rispondere a qualsiasi vostra domanda e commento.

Conservate la scatola di imballo ed il materiale di protezione accluso del RA-1520 per eventuali necessità future. La spedizione o lo spostamento del RA-1520 in qualsiasi altro contenitore che non sia l'imballo originale potrebbe causare seri danni al prodotto.

Compilate e spedite il tagliando di garanzia accluso con l'RA-1520. Conservate la ricevuta d'acquisto originale. E' la prova di acquisto del prodotto contenente la data di acquisto, che vi servirà nell'eventualità di dovere ricorrere ad interventi di riparazione in garanzia.

Posizionamento

Come tutti i componenti audio che lavorano con segnali a basso livello, anche l'RA-1520 può essere condizionato da agenti esterni nell'ambiente in cui viene utilizzato. Evitate di appoggiare l'RA-1520 sopra ad altri componenti o di fare passare i cavi di segnale audio vicino ai cavi dell'alimentazione. Questo ridurrà al minimo il verificarsi di interferenze o disturbi.

L'unità può generare calore durante il normale funzionamento, e dispone di aperture apposite per dissiparlo. Non ostruite le aperture di ventilazione. Lasciate almeno 10 cm di spazio libero attorno all'unità, e se installato in un cabinet, assicuratevi che ci sia una adeguata ventilazione per prevenire un surriscaldamento dell'amplificatore.

Tenete in considerazione il peso dell'amplificatore quando scegliete il posizionamento. Assicuratevi che la mensola o lo scaffale possa sopportarne il peso. Vi raccomandiamo di installare l'RA-1520 in mobili progettati per accogliere componenti audio. Questi mobili sono progettati per ridurre od eliminare le vibrazioni che possono influire negativamente sulla qualità sonora. Chiedete consiglio al vostro rivenditore autorizzato Rotel sui complementi d'arredo dedicati agli apparecchi audio e su come effettuare una corretta installazione dei componenti audio.

Con il RA-1520 viene fornito in dotazione il telecomando RR-AT94 e l'amplificatore deve essere posizionato in modo che i segnali a raggi infrarossi dal telecomando possano giungere al sensore IR sul pannello frontale senza incontrare ostacoli.

Cavi

Assicuratevi sempre di mantenere separati i cavi di alimentazione dai cavi di segnale digitali e quelli di segnale audio standard nel cablaggio del vostro sistema. Questo ridurrà la possibilità di un'interferenza e disturbo fra i cavi di alimentazione o i cavi digitali. L'utilizzo di cavi schermati di alta qualità, contribuirà anche ad evitare disturbi od interferenze che potrebbero influire sulla qualità sonora del vostro sistema. Per maggiori dettagli in merito contattate il vostro rivenditore autorizzato Rotel, che saprà consigliarvi i migliori cavo per il vostro sistema.

Telecomando

L'RA-1520 dispone di un telecomando RR-AT94 che attiva molti dei comandi dell'RA-1520. Inoltre, il telecomando attiva alcune caratteristiche fondamentali di alcuni lettori CD Rotel, lettori DVD e sintonizzatori AM/FM.

Controlli Audio A B C E

L'RR-AT94 duplica le funzioni audio di base del pannello anteriore dell'RA-1520. Quando una funzione è disponibile sul pannello anteriore e sul telecomando, un numero (controlli del pannello anteriore) e una lettera (pulsanti del comando a distanza) vengono indicati nelle istruzioni. Per esempio, per cambiare il livello del volume potete sia ruotare il comando sul pannello anteriore sia utilizzare i pulsanti sul comando a distanza. Quando appare solo uno, quel comando è disponibile solo o sul pannello anteriore o sul telecomando, ma non su entrambi.

Funzioni del CD D G

I pulsanti PLAY, STOP, PAUSE, TRACK e RANDOM e i tasti NUMERICI (0-10) controllano molti lettori CD Rotel dopo che il pulsante CD è stato premuto sul telecomando.

Funzioni DVD G

I pulsanti PLAY, STOP, PAUSE e TRACK attivano i lettori DVD Rotel dopo che il tasto AUX1 sul telecomando è stato premuto.

Funzioni del sintonizzatore D F

I pulsanti BAND, TUNING e altri tasti di sintonizzazione attivano i sintonizzatori Rotel dopo che il tasto TUNER sul telecomando è stato premuto.

Nota: Di default, l'RR-AT94 può controllare i sintonizzatori Rotel RT-1080/RT-1082/RT-1084. Il telecomando può essere riprogrammato per controllare il sintonizzatore RT-940AX. Questa programmazione deve essere effettuata solo una volta:

Per programmare il telecomando per il RT-940AX:

Premete simultaneamente i tasti POWER e 2.

Per programmare il telecomando per il RT-1080/

RT-1082/RT-1084: Premete simultaneamente i tasti POWER e 1.

Sensore telecomando E

Il sensore del telecomando riceve i segnali IR (infrarossi) provenienti dal telecomando. Non coprite il sensore. Deve essere libero da ostacoli altrimenti il telecomando non funzionerà correttamente.

Il funzionamento del ricevitore del telecomando può anche essere alterato se viene esposto alla luce del sole o ad alcuni tipi di illuminazione (come lampade alogene) che emettono luce a infrarossi. Inoltre, le funzioni del telecomando potrebbero non funzionare adeguatamente se le batterie nell'RR-AT94 fossero scariche.

Nota: Per usare il telecomando puntatelo verso il ricevitore del telecomando sul pannello anteriore dell'RA-1520.

Batterie del telecomando

Devono essere installate due pile UM-4/AAA (fornite) prima che il telecomando possa essere utilizzato. Per installare le pile, togliete il coperchio sul retro dell'RR-AT94. Installate le pile come nell'illustrazione nell'alloggiamento per le pile. Verificate che il telecomando funzioni correttamente, poi reinserte il coperchio. Quando le batterie si scaricano il telecomando non funzionerà costantemente. L'installazione di pile nuove dovrebbe risolvere il problema.

Ingresso EXT REM IN I6

Questo mini-jack da 3.5 mm contrassegnato EXT REM IN riceve codici di controllo da ricevitore a raggi infrarossi standard o da un keypad Rotel per zone remote. Può essere utilizzato con un ricevitore IR esterno per duplicare il sensore IR sul pannello frontale. Questa caratteristica è utile quando l'apparecchio viene installato in un cabinet e il sensore del pannello anteriore è coperto, o se è necessario indirizzare i segnali IR verso altri componenti.

Contattate il vostro rivenditore autorizzato Rotel per informazioni su ricevitori esterni e il corretto cablaggio di una presa adatta all'alloggiamento del mini-jack.

Nota: I segnali IR dai connettori EXT IN e ZONE IN possono essere reindirizzati verso le sorgenti usando emettitori IR esterni o collegamenti via cavo dai connettori IR OUT. Vedi la sezione seguente per ulteriori dettagli.

Uscita IR I7

Il connettore IR OUT da 3.5mm invia segnali IR ricevuti sull'ingresso EXT REM IN ad un emettitore IR posizionato di fronte al sensore IR di un componente sorgente. Inoltre, l'uscita IR OUT può essere collegata via cavo ad un lettore CD, DVD o sintonizzatore Rotel con connettore compatibile.

Questa caratteristica permette per esempio di reindirizzare dal RA-1520 i segnali IR per controllare componenti anche quando i loro sensori IR sono coperti, ad esempio se installati in mobili o cabinet dedicati.

Per maggiori informazioni sui sistemi di ripetizione IR fate riferimento al vostro rivenditore autorizzato Rotel.

Nota: Togliete le pile dal telecomando se non verrà utilizzato per un certo periodo di tempo. Non lasciate pile scariche nel telecomando; potrebbero perdere e lasciare materiale corrosivo che danneggerebbe l'apparecchio.

Uscite dei diffusori

Vedi figura 3

L'RA-1520 ha due coppie di uscite per diffusori, indicate con SPEAKER A e SPEAKER B. Le uscite del diffusore sono controllate dall'interruttore sul pannello anteriore.

Impedenza dei diffusori

Se si collega solo una coppia di diffusori, è possibile utilizzare diffusori con impedenza di 4 ohm. Se ci sono momenti in cui i diffusori A e B vengono utilizzati insieme, tutti i diffusori dovrebbero avere un'impedenza di 8 ohm o più. Nella realtà i valori di impedenza dei diffusori sono poco precisi, comunque, pochissimi diffusori presenteranno dei problemi per l'RA-1520. Se avete delle domande rivolgetevi al vostro rivenditore autorizzato Rotel.

Cavi dei diffusori

Utilizzate cavi a due conduttori isolati per collegare l'RA-1520 ai diffusori. Le dimensioni e la qualità dei cavi possono avere effetti udibili sulle performance del sistema. I cavi standard vanno bene ma possono dare un'uscita più bassa o una risposta limitata in gamma bassa, in particolare se sono molto lunghi. In generale cavi ben dimensionati miglioreranno la resa sonora. Per ottenere le migliori prestazioni, potete prendere in considerazione cavi speciali di alta qualità. Il vostro rivenditore Rotel vi potrà aiutare nella scelta.

Polarità e fase

La polarità – l'orientamento positivo/negativo dei collegamenti – per il collegamento di ogni diffusore e amplificatore deve essere rispettata affinché tutti i diffusori siano in fase. Se la polarità di un collegamento è accidentalmente invertita, il basso sarà debole e l'immagine stereo scadente. Tutti i cavi sono contrassegnati affinché si possano identificare i due conduttori. Vi possono essere scanalature o una striscia sull'isolante di un conduttore. Il cavo può avere un'isolante trasparente con conduttori di colori diversi (rame e argento). Indicazioni sulla polarità possono essere stampate sull'isolante. Identificate i conduttori positivo e negativo e verificate che la polarità venga rispettata nei collegamenti tra l'amplificatore e i diffusori.

Collegamento dei diffusori

Spegnete tutti i componenti del sistema prima di collegare i diffusori. L'RA-1520 dispone di connettori colorati sul pannello posteriore. Questi connettori accettano cavi spellati, terminali a forcella. (Nei mercati di paesi fuori dalla comunità Europea accettano anche doppi connettori a banana).

Portare il cavo dall'RA-1520 ai diffusori. Lasciatelo lento in modo da poter muovere i componenti abbastanza da consentire l'accesso ai connettori dei diffusori. Se utilizzate i doppi connettori a banana, collegateli ai cavi ed inseriteli nella parte posteriore dei connettori dell'amplificatore. Le ghiere dei connettori dovrebbero essere avvitate completamente (in senso orario).

Se state utilizzando connettori a forcella, collegateli ai cavi. Se state collegando cavi spellati direttamente ai connettori, separate i conduttori dei cavi e strappate indietro l'isolante dall'estremità di ogni conduttore. Fate attenzione a non tagliare l'intreccio dei fili. Svitare (in senso antiorario) le ghiere dei connettori. Posizionate la forcella attorno al perno del connettore o inserite il filo avvolto nel foro del perno. Avvitate le ghiere in senso orario per serrare la forcella o il filo.

NOTA: Assicuratevi che non vi siano fili scoperti che potrebbero toccare i fili o i connettori adiacenti.

Collegamenti di Segnale

Vedi figura 3

L'RA-1520 è provvisto di ingressi di livello di linea per componenti sorgente, collegamenti per piastre di registrazione audio e collegamenti d'uscita per inviare segnali a un amplificatore di potenza esterno.

NOTA: Per evitare disturbi potenzialmente pericolosi, assicuratevi che l'impianto sia spento quando effettuate qualsiasi collegamento di segnale.

Ingresso Phono e Collegamento a terra

Inserite il cavo proveniente dai giradischi negli ingressi phono destro e sinistro. La maggior parte dei giradischi hanno un filo di "massa". Collegatelo al terminale a vite alla sinistra degli ingressi Phono. Eviterà l'insorgere di ronzii e rumori.

Ingressi di livello di linea

L'RA-1520 è provvisto di tre coppie di connettori d'ingresso convenzionali RCA per componenti come lettori CD, videoregistratori, sintonizzatori, lettori per laser Disc o lettori DVD. Questi ingressi sono contrassegnati CD, TUNER e AUX.

I canali destro e sinistro sono chiaramente contrassegnati e dovrebbero essere collegati ai canali corrispondenti del componente di sorgente. I connettori di sinistra RCA sono bianchi, i connettori di destra sono rossi. Usate cavi RCA di alta qualità per collegare componenti di sorgente d'ingresso all'RA-1520. Chiedete consiglio al vostro rivenditore autorizzato Rotel.

Collegamenti del registratore

Gli ingressi e le uscite Tape possono essere collegate a qualsiasi apparecchio di registrazione/riproduzione che accetti segnali standard di ingresso e di uscita di livello di linea analogici. Generalmente si tratterà di un registratore a cassetta convenzionale. Ci sono due coppie di collegamenti tape sul pannello posteriore, contrassegnati TAPE 1 e TAPE 2.

Quando collegate un registratore all'RA-1520 ricordate che le uscite del registratore devono essere collegate agli ingressi tape dell'RA-1520. Allo stesso modo le uscite tape dell'RA-1520 devono essere collegate agli ingressi del registratore. Come per altre sorgenti assicuratevi di collegare i canali destro e sinistro di ogni apparecchio al giusto canale sui componenti in abbinamento. Utilizzate cavi di collegamento di alta qualità per evitare una perdita della qualità sonora.

NOTA: Gli ingressi tape possono anche essere utilizzati per componenti di sorgente solamente –riproduzione standard, tralasciando i collegamenti d'uscita.

Ingresso Media Player

Sul pannello frontale del RA-1520 è disponibile un ingresso stereo da 3.5mm (1/8") per il collegamento di un "Media Player", selezionabile dai tasti di ingresso Listening AUX.

Potete collegare a questo ingresso un registratore a cassette portatile stereo, un lettore CD o un qualsiasi riproduttore su hard disk. Se il dispositivo che collegate ha questa uscita attraverso l'uscita cuffie, dovrete regolare il volume dal lettore stesso per sentire l'audio. Se il suono dovesse risultare basso e distorto abbassate il volume sul lettore; se il suono è molto flebile anche se aumentate il volume del RA-1520 al massimo, regolate con cautela il volume sul lettore.

NOTA: Quando il connettore (mini jack) da 3.5mm viene inserito nell'ingresso Media Player, l'ingresso AUX, posto sul pannello posteriore, viene disattivato. Togliendo il connettore da 3.5mm dall'ingresso Media Player l'ingresso AUX ritornerà attivo. Sul telecomando RR-AT94, utilizzate i tasti del Volume + e - per incrementare e diminuire il livello del volume.

Uscite pre-out

L'RA-1520 è provvisto di una coppia di uscite pre-out che possono inviare un segnale a un amplificatore di potenza esterno e elaboratore di segnale. Le uscite pre-out sono connettori d'uscita dei tipo RCA standard, compatibili con gli ingressi della maggior parte degli amplificatori di potenza. Utilizzate cavi di alta qualità e assicuratevi di collegare le uscite del canale destro e sinistro dell'RA-1520 ai canali corretti dell'amplificatore.

Collegamento Alla Rete e Controlli

Ingresso in Corrente Alternata

A causa delle richieste di elevata potenza, l'RA-1520 impiega una notevole quantità di corrente. Pertanto sarebbe meglio fosse collegato in genere direttamente ad una presa. Non usate una prolunga. Se necessario, assicuratevi di utilizzare una robusta presa multipla in grado di pilotare la corrente richiesta dall'RA-1520 e dagli altri componenti collegati ad essa.

Il vostro RA-1520 è già stato predisposto in fabbrica per il voltaggio corretto per il paese dove lo avete acquistato (o 115 volt o 230 volt con una frequenza di linea di 50 Hz o 60 Hz). La configurazione di linea di corrente alternata è indicata su un adesivo sul pannello anteriore. Inserite il cavo fornito nell'alloggiamento per l'ingresso in corrente alternata sul retro dell'apparecchio.

NOTA: Nel caso doveste trasportare il vostro RA-1520 in un altro paese è possibile riconfigurare l'amplificatore per un utilizzo su una diversa linea di voltaggio. Non cercate di provvedere a questa conversione da soli. Aprire il cabinet dell'RA-1520 vi espone a voltaggi pericolosi. Consultate personale di servizio qualificato o il centro di servizio della Rotel per informazioni.

Se vi assentate da casa per un lungo periodo, come una vacanza di un mese, è consigliabile staccare il vostro amplificatore dalla rete (così come per gli altri componenti audio e video) durante la vostra assenza.

Interruttore di accensione POWER e indicatore di accensione

Premete l'interruttore di accensione POWER sul pannello anteriore per attivare l'RA-1520. La spia di accensione si illumina quando l'RA-1520 è acceso. Premendo nuovamente l'interruttore l'RA-1520 si spegne. Una volta che l'RA-1520 è stato attivato con il pulsante sul pannello anteriore, può venire posto alternativamente o in modalità di funzionamento normale o in modalità standby con il pulsante POWER sul telecomando RR-AT94.

Collegamento segnale TRIGGER 12V

Diversi amplificatori Rotel possono essere attivati e disattivati utilizzando un segnale trigger da 12V. Questo collegamento fornisce un segnale trigger da 12V. Quando l'RA-1520 è acceso, un segnale da 12V DC è presente su questo connettore e potrà attivare un amplificatore. Quando l'RA-1520 è spento, il segnale trigger viene interrotto e l'amplificatore esterno verrà disattivato.

Comandi Audio

I seguenti comandi sono utilizzati per controllare l'RA-1520.

Controllo del volume

Ruotate il comando del volume sul pannello anteriore in senso orario per aumentare il volume e in senso antiorario per diminuirlo. Oppure premete i pulsanti VOL sul comando a distanza per alzare o abbassare il volume.

Selettore Balance

Il selettore Balance controlla il bilanciamento dei canali sinistro/destro in uscita verso i diffusori. Normalmente il selettore dovrebbe rimanere nella posizione centrale. In alcune situazioni, ad esempio quando la posizione dell'ascoltatore non è perfettamente al centro dei diffusori, può essere necessario regolare il bilanciamento dei canali sinistro/destro. Muovendo la manopola in senso anti-orario si sposterà il campo sonoro sul canale sinistro. Ruotando invece la manopola in senso orario il suono si sposterà sul canale destro.

Controllo dei toni Bass e Treble

Questi due selettori rotanti sul pannello frontale sono utilizzati per effettuare regolazioni ai toni o al contour, aumentando o tagliando le alte frequenze (TREBLE) e le basse frequenze (BASS). Se non è necessaria una regolazione dei toni, il circuito di controllo può essere bypassato utilizzando il commutatore TONE On/Off.

Interruttore Tone On/Off

Quando l'interruttore Tone è in posizione "Off" (posizione esterna) i circuiti di controllo dei bassi e degli alti vengono esclusi per garantire la più elevata integrità del segnale. Lasciate l'interruttore dei toni in questa posizione fino a quando non volete utilizzare i controlli dei Toni.

Selettore di ascolto

La regolazione del selettore di ascolto LISTENING controlla quale dei segnali in ingresso è diretto alle uscite principali e all'amplificatore di potenza - o, più semplicemente, quale sorgente si stia ascoltando. Ruotate il comando sul pannello anteriore verso la sorgente che desiderate ascoltare, oppure premete il pulsante corrispondente sul telecomando RR-AT94.

Selettore di registrazione

L'RA-1520 può inviare il segnale da qualsiasi sorgente d'ingresso (eccetto TAPE 2) a un registratore collegato a uscite TAPE 1 o TAPE 2. Per selezionare una sorgente d'ingresso per la registrazione, ruotate il comando RECORDING sul pannello anteriore verso la sorgente desiderata.

Questa selezione è indipendente dalla sorgente scelta per l'ascolto. Mentre registrate potete ancora scegliere una sorgente diversa usando il selettore LISTENING.

Se avete un registratore a tre testine o un registratore DAT che permette una operazione di lettura e di scrittura simultanea, potete monitorare la vostra registrazione regolando l'interruttore di ascolto (LISTENING) in posizione TAPE 1 o TAPE 2.

NOTA: Se scegliete TAPE 1 con il comando RECORDING, il segnale di registrazione sarà presente solamente alle uscite di registrazione TAPE 2, non alle uscite TAPE 1. Per duplicare un nastro, scegliete TAPE 1 e registrate verso la piastra di registrazione collegata alle uscite TAPE 2.

Pulsante MUTE

Per porre temporaneamente in mute il sonoro dell'impianto premete il pulsante MUTE sul comando a distanza RR-AT94. Premete nuovamente il pulsante per tornare al livello originale. La spia del controllo del volume lampeggerà quando l'apparecchio viene posto in mute.

Uscita cuffia

L'uscita cuffia vi permette di collegare la cuffia per un ascolto individuale. Questa uscita accetta un mini-jack per cuffia stereo standard da 1/8".

Se la vostra cuffia ha uno spinotto mini-jack da 1/4", avrete bisogno di un adattatore. Contattate il vostro rivenditore autorizzato Rotel per acquistare l'adattatore giusto.

NOTA: L'inserimento di una cuffia non elimina il segnale dalle uscite. Se lo desiderate utilizzare il selettore SPEAKERS per disattivare il segnale verso i diffusori quando ascoltate con la cuffia.

Selettore dei diffusori

Il selettore rotante a quattro posizioni SPEAKER sul pannello anteriore determina quale coppia di diffusori è attiva. Regolate il selettore dei diffusori nel seguente modo:

OFF: Non si udrà alcun diffusore. Utilizzate questa posizione quando ascoltate la cuffia.

A: Si udranno i diffusori collegati al terminale SPEAKER A.

B: Si udranno i diffusori collegati ai terminali SPEAKER B.

A+B: Si udranno i diffusori collegati a entrambi i terminali SPEAKER A e SPEAKER B.

Circuito di Protezione

Indicatore di protezione

Un circuito a protezione termica protegge l'amplificatore da possibili danni nel caso di condizioni di funzionamento estreme o errate. A differenza di molti progetti, il circuito di protezione dell'RA-1520 è indipendente dal segnale audio e non ha alcun impatto sulla resa sonora. Al contrario, il circuito di protezione controlla la temperatura degli apparecchi d'uscita e scollega l'amplificatore se la temperatura supera i limiti di sicurezza.

Inoltre l'RA-1520 è dotato di una protezione contro gli sbalzi di corrente che interviene solo quando l'impedenza del carico si abbassa troppo. Questa protezione è indipendente per ognuno dei due canali e viene indicata dal LED PROTECTION sul pannello frontale che si illumina.

Nel caso che una condizione di errore insorgesse, l'amplificatore smetterebbe di funzionare ed il LED PROTECTION sul pannello frontale si illuminerebbe.

Se ciò avvenisse, spegnete l'amplificatore, lasciatelo raffreddare per alcuni minuti e cercate d'identificare e correggere il problema che ha determinato l'intervento del circuito di protezione. Quando riaccendete l'amplificatore, il circuito di protezione si resetterà automaticamente, ed il LED PROTECTION si spegnerà.

Nella maggior parte dei casi il circuito di protezione si attiva in seguito ad una condizione di guasto come ad esempio: un corto circuito tra i cavi dei diffusori, o la mancanza di una ventilazione adeguata che determina il surriscaldamento dell'unità. In casi molto rari, diffusori altamente reattivi o con impedenza estremamente bassa, possono causare l'intervento del circuito di protezione.

Risoluzione dei problemi

La maggior parte dei problemi nei sistemi audio è dovuta a collegamenti non effettuati a dovere o sbagliati, o impostazioni di controllo errate. Se riscontrate problemi, isolate l'area interessata, verificate le impostazioni degli apparecchi, determinate la causa del problema ed apportate le necessarie correzioni. Se non siete in grado di fare funzionare il RA-1520, prendete spunto dalle indicazioni sotto riportate:

L'indicatore Power non si accende

L'anello indicatore attorno al tasto Power sul pannello frontale dovrebbe illuminarsi ogni volta che l'RA-1520 è collegato alla presa di rete e l'interruttore POWER è premuto. Se non si accende controllate la presa di alimentazione con un altro apparecchio elettrico, come ad esempio una lampada. Assicuratevi che la presa di alimentazione in uso non sia controllata da un interruttore che possa essere stato disattivato.

Sostituzione del fusibile

Se un altro apparecchio elettrico funziona una volta collegato alla presa di rete, ma la spia di Standby continua a non illuminarsi quando l'RA-1520 è collegato alla presa di rete, significa che potrebbe essersi bruciato il fusibile di protezione interno. Se ritenete che ciò possa essere successo, contattate il vostro rivenditore Rotel per indicazioni sulla sostituzione del fusibile.

Nessun suono

Controllate la sorgente di segnale per verificare che stia funzionando correttamente. Assicuratevi che i cavi dalla sorgente di segnale agli ingressi dell'RA-1520 siano collegati correttamente. Verificate che il selettore Listening sia impostato sull'ingresso corretto. Controllate che l'amplificatore di potenza sia alimentato e che funzioni correttamente. Controllate tutti i cavi di collegamento tra l'RA-1520 e l'amplificatore di potenza, e tra l'amplificatore ed i diffusori.

Il LED indicatore Protection è acceso

Il led indicatore sul pannello frontale si accende quando è intervenuto il circuito di protezione del l'RA-1520. Normalmente, accade solo quando le aperture di ventilazione sono ostruite, quando c'è un errore nei collegamenti, o dopo un periodo di uso molto intenso. Spegnete l'amplificatore e lasciatelo raffreddare; quindi premete l'interruttore di accensione sul pannello frontale due volte per resettare il circuito di protezione. Se il problema non è risolto o si ripresenta immediatamente, potrebbe essere un problema interno all'amplificatore stesso.



Conflitti dei codici di controllo del telecomando

Rotel sfrutta gli stessi codici IR per tutti i suoi prodotti audio. In sistemi composti da più prodotti Rotel, i codici di controllo IR di un telecomando fornito in dotazione con un componente potrebbe interferire con i codici di controllo di un altro prodotto. L'RR-AT94 ed il RA-1520 possono essere impostati su codici di controllo alternati per prevenire questo tipo di conflitti.

Per cambiare i codici IR del RR-AT94, premete contemporaneamente il tasto Phono ed il tasto 2. Per cambiare il codice IR del RA-1520, indirizzate il RR-AT94 verso il RA-1520 e premete e tenete premuto il tasto 2 per 5 secondi. Il LED del volume lampeggerà per indicare che il codice IR è stato cambiato.

Nota: Dopo avere cambiato i codici del telecomando e del preamplificatore come descritto in precedenza, il telecomando non potrà più controllare sintonizzatori Rotel. Per tornare alle impostazioni originali dei codici IR del RR-AT94, premete contemporaneamente il tasto Phono ed il tasto 1. Per tornare alle impostazioni originali dei codici IR del RA-1520, indirizzate il RR-AT94 verso il RA-1520 e premete e tenete premuto il tasto 1 per 5 secondi. Il LED del volume lampeggerà per indicare che il codice IR è stato cambiato.

Reset dei codici IR

Nel caso in cui abbiate necessità di resettare i codici IR, premete il tasto MUTE  sul telecomando RR-AT94 per più di 5 secondi mentre lo puntate verso il RA-1520. L'unità tornerà alle condizioni di default ed il LED CD Listening  si illuminerà per indicare che il codice IR è resettato. Contattate il vostro rivenditore Rotel per ulteriori informazioni.

Caratteristiche tecniche

Potenza di uscita continua <i>(20-20kHz < 0.03%, 8 ohm)</i>	60 watt/canale
Distorsione armonica totale (20Hz - 20KHz) <i>A piena potenza, 1/2 potenza, o 1 watt</i>	< 0.03 %
Distorsione di intermodulazione <i>(60Hz:7KHz, 4:1)</i> <i>A piena potenza, 1/2 potenza, o 1 watt</i>	< 0.03 %
Risposta in frequenza:	
Ingresso Phono	20Hz-15KHz, ±0.2dB
Ingressi livello di linea	10Hz-100KHz, +1, -3dB
Fattore di smorzamento <i>(20-20.000Hz, 8 ohm)</i>	150
Impedenza/sensibilità d'ingresso	170mV/24KOhm
Sovraccarico di ingresso linea	5V
Impedenza/sensibilità ingresso Phono (MM)	2.8mV/47Kohm
Sovraccarico ingresso (Phono)	170mV
Uscita/impedenza preamplificata	1V /470ohm
Rapporto S/N (IHF pesato "A")	> 95 dB
Tensione di alimentazione:	
USA:	120 Volt, 60 Hz
EC:	230 Volt, 50 Hz
Assorbimento	300 Watt
Dimensioni (l x a x p)	431 x 99 x 339 mm
Altezza pannello frontale	2U (88.1mm)
Peso (netto)	7.8 kg, 17.2lbs

Tutte le caratteristiche sono esatte al momento della stampa.

Rotel si riserva il diritto di apportare miglioramenti senza alcun preavviso.

Rotel e il logo Rotel HIFI sono marchi registrati della Rotel Co, Ltd., Tokyo, Giappone.

Viktig säkerhetsinformation

VARNING! Försök aldrig att själv utföra service på apparaten. Anlita alltid en behörig servicetekniker för all service.

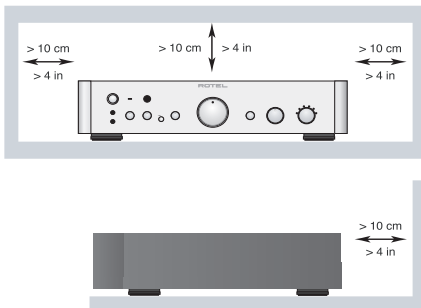
VARNING! För att undvika risk för elektriska stötar och brand, utsätt inte apparaten för vatten eller fukt. Ställ aldrig föremål som kan läcka eller droppa vatten, till exempel blomkrukor, i närheten av apparaten. Se till att inga föremål kommer in i apparaten. Om apparaten utsätts för fukt, väta eller om främmande föremål kommer in i den, dra omedelbart ut nätkabeln ur vägguttaget. Lämna sedan apparaten till en behörig servicetekniker för översyn och eventuell reparation.

Läs alla instruktioner innan du ansluter eller använder apparaten. Behåll denna bruksanvisning så att du kan studera dessa säkerhetsföreskrifter.

Följ alla varningar och säkerhetsföreskrifter i bruksanvisningen och på själva apparaten. Följ alltid alla användarinstruktioner.

Använd bara en torr trasa eller dammsugaren när du rengör apparaten.

Använd inte enheten nära vatten.



Se till att det alltid finns 10 cm fritt utrymme runt apparaten.

Ställ inte apparaten på en säng, soffa, matta eller någon liknande yta som kan blockera ventilationshålen. Om apparaten placeras i en bokhylla eller i ett skåp måste det finnas utrymme för god ventilation.

Placera inte apparaten nära element eller andra apparater som utvecklar värme.

Strömkabeln på baksidan fungerar som huvudströmbrytare. Apparaten måste placeras så att strömkabeln är åtkomlig.

Apparaten måste vara ansluten till ett vägguttag enligt markeringen på apparatens baksida.

Anslut endast apparaten till vägguttaget med den medföljande strömkabeln eller en exakt motsvarighet. Modifiera inte den medföljande strömkabeln på något sätt. Ändra inte jord eller polaritet. Använd inte någon förlängningskabel.

Strömkabeln och strömningången är en del av apparatens strömfunktion. För att göra apparaten helt strömlös måste kontakten dras ut ur vägguttaget. STANDBY-lysdioden lyser inte när apparaten är helt strömlös. Strömkabeln måste vara åtkomlig.

Placera inte strömkabeln så att den kan bli utsatt för överkan, extrem värme eller skadas på annat sätt. Var särskilt noga med att inte skada kabelns ändar.

Strömkabeln ska kopplas ur vägguttaget vid åskväder eller om apparaten inte ska användas under en längre tid.

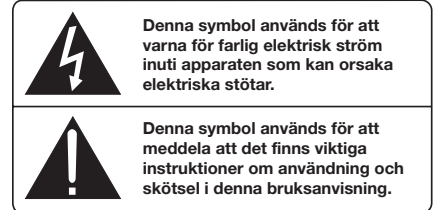
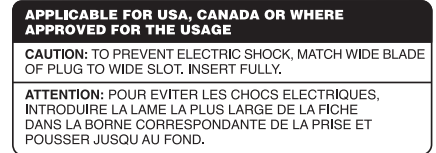
Använd bara tillbehör som rekommenderas av tillverkaren.

Placera apparaten på en fast, plan yta som klarar dess vikt. Var försiktig när apparaten ska flyttas så att den inte välter.

Använd klass 2-kablar till högtalaranslutningen för att minimera risken för elektriska stötar och se till att installationen blir säker.

Sluta omedelbart använda apparaten och lät behörig servicetekniker kontrollera den om:

- Strömkabeln eller kontakten har skadats
- Främmande föremål eller vätska har kommit in i apparaten
- Apparaten har utsatts för regn
- Apparaten visar tecken på felaktig funktion
- Apparaten har tappats eller skadats på annat sätt



Rotels produkter är utformade för att följa de internationella direktiven RoHS (Restriction of Hazardous Substances) och WEEE (Waste Electrical and Electronic Equipment) som behandlar hur uttjänta elektriska och elektroniska produkter tas om hand. Symbolen med den överkorsade soptunnan innebär att produkterna måste återvinnas eller tas om hand enligt dessa direktiv.



Denna symbol betyder att apparaten är dubbelisolerad och inte behöver jordas.



Innehåll

Figure 1: Funktioner och anslutningar	3
Figure 2: RR-AT94 Fjärrkontroll	3
Figure 3: Anslutningar för ingångssignaler och högtalarutgångar	4
Viktigt	5
Viktig säkerhetsinformation	53
Om Rotel	54
Ett par ord om watt	54
Introduktion	55
Att tänka på	55
Placering	55
Kablar	55
Fjärrkontroll	55
Ljudkontroller (A)(B)(C)(E)	55
CD-funktioner (D)(G)	55
DVD-funktioner (G)	55
Radiofunktioner (D)(F)	56
IR-sensor (3)	56
Fjärrkontrollens batterier	56
EXT REM IN-ingång (16)	56
IR OUT-utgång (17)	56
Högtalarutgångar	56
Högtalarimpedans	56
Val av högtalarkabel	56
Polaritet och fas	56
Anslutning av högtalare (23)(24)	56
Anslutningar för insignaler	57
Skivspelare (15) och Jord (14)	57
Ljudingångar (19)	57
Anslutningar för inspelning (20)(21)	57
Media Player-ingång (4)	57
Förstegsutgångar (22)	57
Ström och strömfunktioner	57
Ström (25)	57
Strömbrytare och strömindikator (1)	58
12-volts styrsignaler (18)	58
Ljudkontroller	58
Volymkontroll (10)(C)	58
Balans (11)	58
Bas och diskant (7)(9)	58
Tonkontroller (8)	58
Ingångsväljare (13)(B)	58
Inspelning (12)	58
Dämpa ljudet (A)	58
Hörlursuttag (5)	58
Högtalare (6)	58
Skyddskretsar	58
Säkringsindikator (2)	58
Felsökning	59
Strömindikatorn (POWER) lyser inte	59
Säkring	59
Inget ljud hörs	59
Skyddsindikatorn lyser	59
Fjärrkontrollkonflikter	59
Återställa IR-koderna	59
Specifikationer	59

Om Rotel

Vår historia började för nästan 50 år sedan. Under alla år sedan dess har våra produkter belönats med hundratals utmärkelser och roat hundratusetals människor som tar sin underhållning på allvar – precis som du!

Rotel grundades av en familj med ett passionerat intresse för musik. Detta ledde till en egen tillverkning av hifi-produkter med en kompromisslös kvalitet. Genom alla år har denna passion för musik, som delas av hela Rotels personal, varit oförminskad och målet har alltid varit att tillverka prisvärda produkter för både audiofiler och musikälskare, vilken budget de än har.

Rotels ingenjörer arbetar i team och har ett nära samarbete. Tillsammans lyssnar de på och finslipar varje ny produkt tills den lever upp till deras höga krav. De får välja komponenter från hela världen för att göra produkterna så bra som möjligt. I apparaterna hittar du ofta allt från brittiska och tyska kondensatorer till japanska och amerikanska halvledare samt toroidaltransformatorer som tillverkas i Rotels egna fabriker.

Vi bryr oss om miljön. Eftersom allt mer elektronik tillverkas, och så småningom kasseras, är det särskilt viktigt att tillverkare gör vad de kan för att produkterna får så liten inverkan som möjligt på sophantering och vattenmiljö.

På Rotel är vi stolta över att kunna bidra. Vi har reducerat blyinnehållet i vår elektronik genom att använda ett speciellt ROHS-lödtenn, och våra Class D-förstärkare (ej digitala) är upp till fem gånger mer effektiva än våra äldre modeller samtidigt som de är kraftfulla och har höga prestanda. Dessa produkter utvecklar lite värme, slösar minimalt med energi, är bra för miljön – och låter bättre. Slutligen är denna manual tryckt på återvunnet papper.

Även om detta är små, första steg så är de viktiga. Och vi fortsätter att eftersträva nya metoder och material som kan ge en renare och grönare tillverkning.

Alla vi på Rotel är glada för att du köpt denna produkt. Vi är övertygade om att den kommer att ge dig många års njutning och glädje.

Ett par ord om watt

RA-1520:s effekt specificeras till 60 watt per kanal, när båda kanalerna drivs samtidigt med full kraft. Rotel har valt att specificera effekten på detta sätt eftersom vi anser att det ger den mest korrekta bilden av en förstärkares kapacitet.

När du jämför specifikationer med andra produkter bör du tänka på att effekt ofta specificeras på andra sätt, vilket innebär att du kanske jämför äpplen och päron.

Effekten kan till exempel anges när bara en enda kanal drivs, vilket ger ett högre värde.

En högtalares impedans anger det elektriska motstånd som den har när den ansluts till en förstärkare, oftast 8 eller 4 ohm. Ju lägre impedansen är desto mer kraft behöver högtalaren. En högtalare med 4 ohms impedans behöver i själva verket dubbelt så mycket kraft som en med 8 ohm.

Rotels förstärkare är dock konstruerade så att de fungerar med vilken impedans som helst mellan 8 och 4 ohm, och med alla kanaler drivna på full effekt. Eftersom Rotels konstruktion är optimerad för att alla kanaler ska drivas samtidigt kan Rotel ange den sanna effekten för båda kanaler.

Introduktion

Tack för att du har köpt den integrerade stereoförstärkaren Rotel RA-1520. I en musikanläggning av hög kvalitet kommer den att ge dig många års musikalisk njutning.

RA-1520 är en förstärkare med många funktioner och höga prestanda. Den har utformats och optimerats för att kunna återge musikens hela dynamiska omfång och alla små nyanser. RA-1520 har en kraftfull strömförsörjning med en ringkärnetransformator som utvecklats av Rotel, samt specialutvecklade slit-foil-kondensatorer. Strömförsörjningen har låg impedans och stora kraftresurser, vilket innebär att RA-1520 kan återge även krävande ljudsignaler med lätthet. Att utforma en förstärkare med en sådan konstruktion är kostsamt, men innebär att musiken låter bättre.

Kretskorten är försedda med SCT-teknik (Symmetrical Circuit Traces) som garanterar att musikens timing bibehålls och återskapas på ett korrekt sätt. Alla viktiga signalvägar i RA-1520 har kretsar som har metallfilmsresistorer och polystyren- eller polypropylen-kondensatorer. Hela konstruktionen är noggrant utformad för att återge musiken på ett så naturtroget sätt som möjligt.

RA-1520 har dessutom oberoende signalväljare för musiklyssning och inspelning, vilket innebär att du kan lyssna på en signalkälla samtidigt som du spelar in en annan.

Förstärkarens viktigaste funktioner är enkla och lättbegripliga. Om du är van vid stereoanläggningar så bör du inte ha några problem med att börja använda RA-1520. Koppla bara in resten av anläggningen, så kan du börja njuta av musiken.

Att tänka på

Läs denna bruksanvisning noggrant. Den ger dig grundläggande instruktioner om hur du installerar och använder RA-1520 i din anläggning, samt information om hur du får ett så bra ljud som möjligt. Om du har några frågor är du alltid välkommen att kontakta din Rotel-återförsäljare. Alla vi på Rotel uppskattar dina frågor och synpunkter.

Spara kartongen och allt packmaterial till RA-1520 så att du kan använda detta vid ett senare tillfälle. Att skicka eller flytta förstärkaren i en annan förpackning kan skada den allvarigt.

Fyll i och skicka in registreringsbeviset som följer med RA-1520. Spara också ditt originalkvitto från köptillfället. Det är det bästa beviset för när du köpt apparaten, vilket kan vara viktigt om du behöver lämna in den för garantiservice.

Placering

Precis som alla elektriska komponenter som hanterar lågnivåsignaler påverkas RA-1520 av sin omgivning. Undvik att ställa förstärkaren ovanpå andra komponenter. Dra inte heller signalkablar i närheten av nätkablar, eftersom sådana kan påverka ljudsignalen och orsaka störningar.

RA-1520 alstrar värme vid normal användning. Kylflänsarna och ventilationshålen är utformade för att leda bort värme. Täck inte över ventilationshålen. Se till att det finns 10 cm fritt utrymme runt om förstärkaren och att det finns god ventilation, så att den inte överhettas.

Tänk på förstärkarens vikt när du väljer placering. Se till att apparatens vikt kan bäras av hyllan eller bänken den ställs på. Vi rekommenderar att du placerar RA-1520 i en möbel som är utformad för stereokomponenter. Sådana möbler är byggda för att minimera eller eliminera vibrationer som kan påverka ljudkvaliteten. Kontakta din Rotel-återförsäljare om du vill ha hjälp med installationen och med att välja hifi-möbel.

Till RA-1520 ingår fjärrkontrollen RR-AT94 och förstärkaren måste placeras så att infraröda signaler från fjärrkontrollen kan nå den sensorn på fronten.

Kablar

Se till att nätkablar, högtalarkablar, digitalkablar och vanliga signalkablar inte ligger i närheten av varandra. Det minimerar risken för att signalkablarna påverkas av störningar eller förvrängningar från andra kablar. Om du använder avskärmade kablar av hög kvalitet så förhindrar du att ljudkvaliteten störs från andra kablar. Om du har några frågor om vilka kablar du bör använda är du välkommen att kontakta din Rotel-återförsäljare.

Fjärrkontroll

Till RA-1520 ingår fjärrkontrollen RR-AT94 som styr många av förstärkarens funktioner. Fjärrkontrollen styr dessutom vissa grundläggande funktioner på CD-spelare, DVD-spelare och FM/AM-radioapparater från Rotel.

Ljudkontroller **A** **B** **C** **E**

RR-AT94 styr samma funktioner som finns på fronten av RA-1520. Om en funktion finns både på fronten av förstärkaren och på fjärrkontrollen visas ett nummer (se illustrationen av fronten) och en bokstav (se illustrationen av fjärrkontrollen) i texten. Du kan till exempel ställa in volymen både med hjälp av volymkontrollen på fronten och med knapparna på fjärrkontrollen. Om bara en siffra eller bokstav visas innebär det att funktionen styrs antingen från fronten eller från fjärrkontrollen.

CD-funktioner **D** **G**

Knapparna PLAY, STOP, PAUSE, TRACK och RANDOM samt sifferknapparna styr många CD-spelare från Rotel om CD-knappen på fjärrkontrollen har tryckts in.

DVD-funktioner **G**

Knapparna PLAY, STOP, PAUSE och TRACK styr många DVD-spelare från Rotel om AUX1-knappen på fjärrkontrollen har tryckts in.

Radiofunktioner

Knapparna BAND, TUNING och andra radioknappar styr radiomottagare från Rotel om TUNER-knappen på fjärrkontrollen har tryckts in.

OBS! Som standard styr RR-AT94 radiomottagarna RT-1080, RT-1082/RT-1084. Fjärrkontrollen kan även programmeras om så att den styr radiodelen RT-940AX. Denna programmering behöver bara utföras en gång:

Programmera om för RT-940AX: tryck på POWER-knappen och 2-knappen samtidigt.

Programmera om för RT-1080, RT-1082 och RT-1084: tryck på POWER-knappen och 1-knappen samtidigt.

IR-sensor

Den infraröda sensorn tar emot signaler från fjärrkontrollen. Täck inte för IR-sensorn. Fjärrkontrollen måste ha fri sikt till IR-sensorn för att kunna fungera riktigt.

Sensorn kan påverkas om den utsätts för starkt ljus, särskilt solljus. Vissa belysningar, till exempel halogenlampor, kan också påverka sensorns funktioner. Fjärrkontrollen kan också fungera sämre om batterierna är dåliga.

OBS! Rikta RR-AT94 mot IR-sensorn på fronten av RA-1520 när du vill styra en funktion.

Fjärrkontrollens batterier

Två AAA-batterier (ingår) måste installeras innan fjärrkontrollen kan användas. Ta bort locket på baksidan av RR-AT94. Lägg i batterierna enligt märkningen under luckan. Kontrollera att fjärrkontrollen fungerar och sätt sedan tillbaka locket. När batterierna håller på att ta slut styr inte fjärrkontrollen RA-1520 som den ska. Byt ut batterierna så fungerar allting igen.

EXT REM IN-ingång

Denna 3,5-millimeters minijack-kontakt (märkt EXT REM IN) tar emot IR-kommandon från en infraröd mottagare eller från en motsvarande EXT REM OUT-utgång på någon annan komponent. Funktionen kan vara praktisk om förstärkaren står i ett skåp eller på ett sådant sätt att IR-sensorn på fronten blockeras och inte kan nås av fjärrkontrollens signaler.

Kontakta din auktoriserade Rotel-återförsäljare om du vill ha mer information om IR-mottagare eller kablar och kontakter som passar denna ingång.

OBS! IR-signalerna från EXT REM IN-ingången kan överföras till signalkällor med hjälp av externa IR-sändare eller kablar från IR OUT-utgången. Läs mer i nästa avsnitt.

IR OUT-utgång

IR OUT-kontakten överför IR-signaler från EXT REM IN-ingången till infraröda sändare eller direkt till apparater från Rotel som är utrustade med en motsvarande IR-anslutning på baksidan. Denna funktion innebär att du kan använda IR-funktioner för att styra andra komponenter även om deras IR-sensorer blockeras eller är övertäckta, till exempel om de är placerade i ett skåp.

Kontakta din auktoriserade Rotel-återförsäljare om du vill ha mer information om IR-funktioner.

OBS! Ta ur batterierna ur fjärrkontrollen om den inte ska användas under en längre tid. Låt inte svaga batterier sitta kvar i fjärrkontrollen eftersom de kan börja läcka frätande kemikalier som kan förstöra enheten.

Högtalarutgångar

Se figur 3

RA-1520 har två uppsättningar högtalarutgångar, märkta "SPEAKER A" och "SPEAKER B". Vilka utgångar som används bestäms av omkopplaren på fronten.

Högtalarimpedans

Om bara ett par högtalare används kan de ha en så låg impedans som 4 ohm. Om två par används samtidigt (både A och B) måste alla högtalare ha en impedans på 8 ohm eller högre. Högtalarimpedanser är inte så exakta, och i praktiken klarar RA-1520 de flesta högtalare. Om du har några frågor är du välkommen att kontakta din Rotel-återförsäljare.

Val av högtalarkabel

Använd en skärmd, tvåledad högtalarkabel för att ansluta dina högtalare till RA-1520. Högtalarkabelns storlek och kvalitet påverkar anläggningens ljudkvalitet. En standardkabel kan fungera, men kan också minska utsignalens styrka och dämpa basåtergivningen, särskilt i anläggningar med långa kablar. Rent allmänt fungerar grövre kablar bäst. För bäst resultat bör du skaffa högtalarkablar av hög kvalitet. Din Rotel-återförsäljare kan hjälpa dig att välja rätt kablar till din anläggning.

Polaritet och fas

När du ansluter högtalarkablarna måste du se till att polariteten blir rätt. Plus- och minusledarna måste sitta på rätt ställe på förstärkaren och på högtalarna. Om polariteten i någon anslutning av misstag blir omvänd, minskas basåtergivningen och stereoperspektivet försämras. Alla kablar är märkta så att du kan se vilken ledare som är vilken – det kan till exempel finnas en färgmarkering eller en fasad kant på den ena ledaren, eller så kan kabeln vara genomskinlig och ha olika färger på själva ledarna (koppars och silver). Var konsekvent när du ansluter kablarna och använd alltid samma markering för polaritet på högtalarna och på förstärkaren.

Anslutning av högtalare

Stäng av alla komponenter i anläggningen innan du ansluter högtalarna. RA-1520 har två färgkodade uppsättningar terminaler. De två uppsättningarna för varje kanal gör det enklare att använda bi-wiring till högtalarna. Högtalarterminalerna klarar avskalad kabel samt banan- eller spadkontakter (utom i EU, där banankontakter inte är tillåtna).

Dra kablarna från förstärkaren till högtalarna. Se till att varje kabel är tillräckligt lång för att du ska kunna flytta komponenterna och komma åt anslutningarna på baksidan. Om du använder banankontakter fäster du dem på kablarna och trycker sedan in dem i terminalskruvarna, som ska vara inskrivade helt och hållet (medsols).

Om du använder spadkontakter fäster du dem på ledarna. Om du använder avskalad kabel direkt i högtalarterminalerna så separerar du ledarna och skalar av isoleringen. Var noga med att du inte skalar av själva koppartrådarna. Skruva sedan upp terminalhylsan (motsols) och anslut spadkontakten runt terminalen eller trä den avskalade kabeln genom terminalen. Skruva sedan fast terminalhylsan ordentligt (medsols).

OBS! Se till att det inte finns några lösa kabeltrådar som kan komma i kontakt med intilliggande kablar.

Anslutningar för insignaler

Se figur 3

RA-1520 har linjeingångar för signalkällor, anslutningar för kassettdäck och förstegsutgångar som överför signaler till ett externt slutsteg.

OBS! För att undvika kraftiga ljud som kan vara skadliga bör du se till att anläggningen är avstängd när du gör alla anslutningar.

Skivspelare ¹⁵ och Jord ¹⁴

Koppla in signalkabeln från skivspelaren till höger respektive vänster PHONO-ingång. Om skivspelaren har en jordkabel så fäster du denna i jordkontakten (GND) till vänster. Det förhindrar att ljudsignalen påverkas av brummande ljud och störningar.

Ljudingångar ¹⁹

RA-1520 har tre par vanliga RCA-ingångar för ljudet från signalkällor. Dessa används för att ansluta komponenter som CD-spelare, videobandspelare, radio eller DVD-spelare. De tre ingångarna är märkta CD, TUNER och AUX.

Vänster och höger kanal är märkta LEFT respektive RIGHT och ska anslutas till motsvarande utgångar på signalkällorna. Kontaktarna för vänster kanal är vita och höger kanal är röda. Du bör använda signalkablar av hög kvalitet när du ansluter signalkällor till förstärkaren. Om du har några frågor om vilka kablar du bör använda är du välkommen att kontakta din Rotel-återförsäljare.

Anslutningar för inspelning ²⁰ ²¹

In- och utgångarna märkta TAPE används för att ansluta apparater för in- och avspelnning med hjälp av vanliga analoga signalkablar. Den vanligaste typen av sådana komponenter är ett kassettdäck. Det finns två uppsättningar inspelningskontakter, märkta TAPE 1 och TAPE 2.

När du ansluter en inspelningsapparat till RA-1520 måste du komma ihåg att utgångarna på inspelaren kopplas till RA-1520:s TAPE-ingångar (IN). På samma sätt ska TAPE-utgångarna (OUT) anslutas till inspelarens ingångar. Höger och vänster kanal ansluts precis som vilken annan komponent som helst. Använd signalkablar av hög kvalitet så att inte ljudkvaliteten påverkas.

OBS! TAPE-ingångarna kan också användas för att ansluta vanliga signalkällor. Då används inte TAPE-utgångarna.

Media Player-ingång ⁴

På förstärkarens front finns en 3,5-millimeters stereoingång som är märkt MEDIA PLAYER. Denna väljs genom att ställa Ingångsväljaren i läge AUX. Ingången kan användas för att ansluta olika typer av bärbara spelare, till exempel CD-spelare eller MP3-spelare.

Om du ansluter en sådan med en kabel från spelarens hörlursuttag måste du tänka på att höja volymen på den bärbara spelaren för att ljudet ska höras. Om ljudet är högt och förvrängt ur högtalarna ska du sänka volymen. Om ljudet knappt är hörbart, trots att förstärkarens volymkontroll är inställd ganska så högt, så ska du höja volymen på den bärbara spelaren.

OBS! När en 3,5-millimeters minijack-kabel ansluts till MEDIA PLAYER-ingången på fronten kopplas AUX-ingången på baksidan ur. När minijack-kabeln tas bort fungerar AUX-ingången som vanligt igen. Använd volymknapparna på fjärrkontrollen för att höja och sänka volymen.

Förstegsutgångar ²²

RA-1520 har en uppsättning förstegsutgångar som är märkta PRE OUT och som överför signalen från den signalkälla som spelas. Dessa utgångar används oftast för att överföra en signal till en annan integrerad förstärkare eller ett slutsteg som driver ett annat par högtalare. Använd signalkablar av hög kvalitet och var noga med att ansluta höger och vänster kanal på RA-1520 till rätt ingångar på slutsteget.

Ström och strömfunktioner

Ström ²⁵

På grund av RA-1520:s relativt höga effekt kan den dra mycket ström. Den bör därför anslutas direkt till ett vägguttag. Använd inte någon förlängningskabel. Du kan använda en kraftig grendosa, men bara under förutsättning att den klarar att lämna den ström som förstärkaren (och övriga komponenter) behöver.

Din RA-1520 är fabriksinställd för spänningen som gäller i det land där du köpte den (Europa 230 V/50 Hz och USA 115 V/60 Hz). Fabriksinställningen finns utmärkt med en dekal på apparatens baksida. Koppla in strömkabeln i nätbrunnen på förstärkarens baksida.

OBS! Om du flyttar din RA-1520 till ett annat land går det att konfigurera om den så att den passar för ett annat elnät. Försök inte göra detta själv. Om du öppnar RA-1520 så riskerar du att få kraftiga stötar. Kontakta en behörig servicetekniker eller din Rotel-återförsäljare för mer information.

Om du kommer att vara bortrest en längre tid är det en lämplig försiktighetsåtgärd att dra ut strömkabeln till förstärkaren (och övriga stereokomponenter) ur vägguttaget.

Strömbrytare och strömindikator

Tryck på strömbrytaren (POWER) på fronten för att slå på RA-1520. Ringen runt knappen och MUTE-lysdioden börjar då lysa vilket anger att förstärkaren är påslagen. Tryck på strömbrytaren en gång till för att stänga av förstärkaren. När förstärkaren har slagits på med strömbrytaren på fronten kan den växla mellan normalt läge och standby-läge med hjälp av POWER-knappen på fjärrkontrollen. I standby-läge kan förstärkaren också slås på med någon av LISTENING-knapparna.

12-volts styrsignaler

En del Rotel-förstärkare kan stängas av och sättas på automatiskt om de tar emot en 12-volts "trigger-signal". 12V TRIGGER OUT-utgången på RA-1520 lämnar en sådan signal. Kompatibla komponenter ansluts till förstärkaren med en vanlig 3,5-millimeters minijack-kabel. När RA-1520 försätts i standby-läge avbryts styrsignalen och de anslutna komponenterna stängs också av.

Ljudkontroller

Följande kontroller används för att styra RA-1520:

Volymkontroll

Vrid volymkontrollen medsols för att höja volymen och motsols för att sänka den. Du kan också använda volymknapparna på fjärrkontrollen.

Balans

Balanskontrollen (BALANCE) justerar balansen mellan höger och vänster högtalare. I de flesta fall ska kontrollen stå i mittenläget och peka rakt uppåt. I en del fall, oftast när lyssningsplatsen inte befinner sig mittemellan högtalarna, kan du behöva justera balansen för att ljudet ska låta lika högt ur båda högtalarna. Vrid balanskontrollen medsols för att förskjuta balansen åt höger och motsols för att förskjuta den åt vänster.

Bas och diskant

När TONE-knappen är intryckt justerar BASS- och TREBLE-kontrollerna ljudets bas- och diskantnivåer. Vrid kontrollerna medsols för att höja bas- och diskantnivåerna och motsols för att sänka dem.

Tonkontroller

När TONE-knappen inte är intryckt passerar ljudsignalen förbi bas- och diskantkontrollerna för att ljudet ska bli så rent som möjligt. Om du inte vill använda tonkontrollerna ska du alltså inte ha TONE-knappen intryckt.

Ingångsväljare

Ingångsväljaren LISTENING väljer signalkälla. Signalen som väljs är den du lyssnar på. Vrid kontrollen så att den pekar på den signalkälla du vill lyssna på, eller använd knapparna på fjärrkontrollen.

Inspelning

RA-1520 kan spela in från alla signalkällor (utom TAPE 2) till en inspelningsenhet som är ansluten till TAPE 1- eller TAPE 2-utgångarna. Vrid på RECORDING-kontrollen för att välja vilken signalkälla som ska spelas in.

Signalen som väljs för inspelning är oberoende av vilken signalkälla du lyssnar på. När du spelar in kan du alltså lyssna på en annan källa som väljs med LISTENING-kontrollen.

Om du har en trehuvuds kassettspelare eller en DAT-inspelare som kan spela upp samtidigt som den spelar in, kan du lyssna på vad du spelar in genom att ställa LISTENING-kontrollen i läge TAPE 1 eller TAPE 2.

OBS! Om du väljer TAPE 1 med RECORDING-kontrollen så är bara inspelningssignalen tillgänglig i TAPE 2-utgången, inte TAPE 1-utgången. Om du ska kopiera ett kassetband väljer du TAPE 1 och spelar in på TAPE 2-utgången.

Dämpa ljudet

Tryck på MUTE-knappen på fjärrkontrollen om du vill dämpa ljudet helt och hållet. Lysdioden på volymkontrollen blinkar så länge ljudet är dämpat. Tryck på knappen en gång till när du vill återgå till den ursprungliga volymen. Volymkontrollens lysdiod blinkar när ljudet är dämpat.

Hörlursuttag

Med hjälp av hörlursuttaget kan du lyssna på musik när som helst utan att störa någon. Uttaget klarar hörlurar med 3,5-millimeters minijack-kontakt.

Om dina hörlurar har en 6,5-millimeters jack-kontakt behöver du en adapter. Kontakta din Rotel-återförsäljare så hjälper de dig.

OBS! När du kopplar in hörlurarna så stängs inte signalen till högtalarna av. Använd i stället högtalarväljaren (SPEAKERS) för att stänga av signalen till högtalarna.

Högtalare

SPEAKERS-ratten kan ställas i fyra lägen och väljer vilka högtalare som är aktiva:

OFF: Inga högtalare är inkopplade. Använd detta läge när du lyssnar med hörlurar.

A: Högtalarna som är anslutna till SPEAKER A-terminalerna är aktiva.

B: Högtalarna som är anslutna till SPEAKER B-terminalerna är aktiva.

A+B: Högtalarna som är anslutna till både SPEAKER A- och SPEAKER B-terminalerna är aktiva.

Skyddskretsar

Säkringsindikator

RA-1520 skyddas av säkrings- och värmekretsar mot extrem eller felaktig användning. Till skillnad från liknande konstruktioner är skyddskretsarna inte beroende av ljudsignalen och påverkar därför inte ljudkvaliteten. Säkringskretsarna känner i stället av temperaturen på utgångsenheterna och stänger av förstärkaren om den blir för hög.

RA-1520 har dessutom en skyddskrets som aktiveras om högtalarimpedansen blir för låg. Detta skydd arbetar separat för varje kanal och indikeras av PROTECTION-lysdioden på fronten.

Om något fel mot förmodan skulle uppstå slutar förstärkaren att spela och lysdioden på fronten börjar lysa.

Om detta händer stänger du av förstärkaren och låter den kylas av i ett par minuter. Försök sedan att lokalisera felet och rätta till det. När du sedan sätter på förstärkaren igen återställs skyddskretsarna och lysdioden på fronten bör slockna.

I de flesta fall aktiveras säkringskretsarna om något fel har uppstått. Detta kan till exempel vara en kortsluten högtalarkabel eller otillräcklig ventilation som orsakar överhettning. I mycket sällsynta fall kan säkringskretsarna även aktiveras av högtalare med extremt låg impedans.

Felsökning

De flesta problem som uppstår i en anläggning beror på felaktiga anslutningar eller inställningar. Om du stöter på problem försöker du lokalisera felet och kontrollerar dina inställningar. Försök hitta orsaken till felet och gör sedan de ändringar som behövs. Om du inte får något ljud ur RA-1520 så kommer här ett par förslag på vad du kan göra:

Strömindikatorn (POWER) lyser inte

Ringan runt strömbrytaren ska alltid lysa när RA-1520 är ansluten till ett vägguttag och strömbrytaren är intryckt in. Om den inte lyser kan du prova om vägguttaget fungerar genom att koppla in någon annan elektrisk apparat, till exempel en lampa. Försäkra dig också om att uttaget inte styrs av en timer eller någon annan utrustning.

Säkring

Om en annan elektrisk apparat fungerar när den ansluts till vägguttaget, men POWER-lysdioden inte tänds när RA-1520 ansluts och strömbrytaren trycks in, kan det bero på att förstärkarens inre säkring har löst ut. Om du misstänker att detta kan vara felet så kontaktar du din auktoriserade Rotel-återförsäljare och ber dem hjälpa dig att byta ut den.

Inget ljud hörs

Kontrollera signalkällan och försäkra dig om att den fungerar som den ska. Se till att kablarna från signalkällan till RA-1520 är anslutna på rätt sätt. Se till att LISTENING-kontrollen och SPEAKERS-ratten står i rätt läge. Kontrollera också att högtalarkablarna är rätt anslutna.

Skyddsindikatorn lyser

Frontens skyddsindikator (PROTECTION) lyser när säkringskretsarna har stängts av RA-1520. Detta händer i normala fall bara om ventilationshälen är blockerade, om du använder en felaktig högtalarkabel eller om förstärkaren har använts extremt mycket. Stäng av förstärkaren och låt den kylas av ett tag. Tryck sedan in och ut på strömbrytaren för att återställa säkringskretsarna. Om felet inte rättas till beror det på något fel i anläggningen eller i själva förstärkaren.

Fjärrkontrollkonflikter

Rotel använder samma styrkoder till alla sina ljudprodukter. I anläggningar med flera Rotel-apparater kan IR-signalerna från en fjärrkontroll av misstag styra andra apparater. För att undvika sådana problem kan RR-AT94 och RA-1520 använda alternativa styrkoder.

Ändra RR-AT94:s IR-koder genom att trycka på PHONO-knappen och 2-knappen samtidigt. Ändra RA-1520:s IR-koder genom att peka RR-AT94 mot förstärkaren och sedan hålla inne 2-knappen i fem sekunder. Volymkontrollens lysdiod blinkar för att tala om att IR-koderna har ändrats.

OBS! Om du ändrar fjärrkontrollens och förstärkarens IR-koder kan inte fjärrkontrollen styra Rotel-radiomottagare. Om du vill återställa RR-AT94:s koder till ursprungsläget så trycker du på PHONO-knappen och 1-knappen samtidigt. Ändra tillbaka RA-1520:s IR-koder genom att peka RR-AT94 mot förstärkaren och sedan hålla inne 1-knappen i fem sekunder. Volymkontrollens lysdiod blinkar för att tala om att IR-koderna har ändrats tillbaka.

Återställa IR-koderna

Om du behöver återställa IR-koderna trycker du på MUTE-knappen **A** på fjärrkontrollen i mer än fem sekunder samtidigt som du pekar fjärrkontrollen mot RA-1520. Förstärkaren återgår då till fabriksläge och LISTENING-lysdioden **LD** tänds för att tala om att IR-koderna har återställts. Kontakta din auktoriserade Rotel-återförsäljare om du vill ha mer information.

Specifikationer

Kontinuerlig effekt	60 watt per kanal
<i>(20–20 000 Hz, 0,03%, 8 ohm)</i>	
Total harmonisk förvrängning (THD)	< 0,03 %
<i>(20–20 000 Hz)</i>	
<i>vid kontinuerlig effekt, halv effekt och 1 watt</i>	
Intermodulationsförvrängning	< 0,03 %
<i>(60 Hz : 7 kHz, 4:1)</i>	
<i>vid kontinuerlig effekt, halv effekt och 1 watt</i>	
Frekvensomfång	
Phono-ingång	20–15 000 kHz (±0,2 dB)
Linjeingång	10–100 000 kHz (+1, –3 dB)
Dämpfaktor (20–20 000 Hz, 8 ohm)	150
Ingångskänslighet/-impedans (linjeingång)	170 mV/24 kohm
Ingångsöverbelastning (linjeingång)	5 V
Ingångskänslighet/-impedans (phono)	2,8 mV/47 kohm
Ingångsöverbelastning (phono)	170 mV
Utsignal/impedans, förstärkare	1 V/470 ohm
Signal/brus-förhållande (IHF A)	>95 dB
Strömförsörjning	
Europa	230 volt, 50 Hz
USA	120 volt, 60 Hz
Strömförbrukning	300 W
Mått (B x H x D)	431 x 99 x 339 mm
Fronthöjd	2U (88,1 mm)
Vikt (netto)	7,8 kg

Alla specifikationer är korrekta vid tryckningen.

Rotel reserverar sig rätten att göra framtida förbättringar utan föregående meddelanden.

Rotel och Rotels Hi-Fi-logotyp är registrerade varumärken som tillhör The Rotel Co, Ltd., Tokyo, Japan.

Важные инструкции по безопасности

ПРЕДОСТЕРЕЖЕНИЕ: Внутри нет частей, доступных для обслуживания пользователем. Доверьте обслуживание квалифицированному мастеру.

ПРЕДОСТЕРЕЖЕНИЕ: Для снижения опасности возгорания или поражения электрическим током не подвергайте данный аппарат воздействию дождя или влаги. Не допускайте попадания посторонних предметов внутрь корпуса. Если внутрь корпуса попала влага или посторонний предмет, немедленно выньте вилку шнура питания из розетки. Доставьте аппарат к квалифицированному специалисту для осмотра и возможного ремонта.

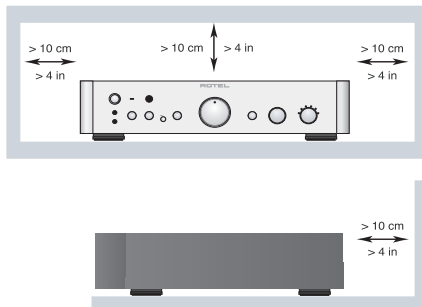
Прежде чем подсоединять аппарат и управлять им, прочтите все инструкции. Сохраните руководство по эксплуатации для дальнейшего использования.

Обращайте внимание на предостережения, указанные на корпусе аппарата и в данном руководстве. Управляйте аппаратом в соответствии с инструкциями.

Сохраните руководство по эксплуатации для дальнейшего использования.

Производите очистку корпуса только сухой тканью или пылесосом.

Не используйте это устройство вблизи воды.



Оставьте не менее 10 см свободного пространства вокруг аппарата для обеспечения циркуляции воздуха.

Не ставьте аппарат на кровать, диван, ковер или подобную мягкую поверхность, которая может загордиться вентиляционные отверстия. Если аппарат встраивается в шкаф или другой корпус, этот корпус должен вентилироваться для обеспечения охлаждения аппарата.

Держите аппарат подальше от радиаторов отопления, обогревателей, печей и любых других устройств, выделяющих тепло.

ПРЕДОСТЕРЕЖЕНИЕ: Сетевой разъем на задней панели предназначен для быстрого отсоединения устройства от электрической сети. Устройство должно обеспечивать свободный доступ к задней панели, чтобы сетевая кабель можно было быстро выдернуть.

Сетевое напряжение, к которому подсоединяется аппарат, должно соответствовать требованиям, указанным на задней панели аппарата. (США: 120 В, 60 Гц, ЕС 230 В, 50 Гц)

Подсоединяйте компонент к питающей розетке только при помощи сетевого шнура из комплекта поставки, или его точного эквивалента. Не переделывайте поставляемый шнур. Поляризованный штекер имеет два ножевых контакта, один из которых шире другого. Заземляющий штекер имеет два ножевых контакта и третий заземляющий штырь. Они обеспечивают вашу безопасность. Не отказывайтесь от мер безопасности, предоставляемых заземляющим или поляризованным штекером. Если поставляемый штекер не подходит к вашей розетке, обратитесь к электрику для замены устаревшей розетки. Не используйте удлинитель питания.

Основная вилка сетевого шнура служит для отключения аппарата от сети. Для полного отключения изделия от питающей сети, вилку сетевого кабеля следует отсоединять от сетевой розетки переменного тока. Светодиодный индикатор ждущего режима LED не будет гореть, показывая, что сетевой шнур отключен.

Эта сетевая вилка должна быть легко доступна.

Не прокладывайте сетевой шнур там, где он может быть раздавлен, пережат, скручен, подвергнут воздействию тепла или поврежден каким-либо способом. Обращайте особое внимание на сетевой шнур вблизи штекера и там, где он входит в заднюю панель устройства.

Сетевой шнур следует отсоединять от стенной розетки во время грозы или если прибор оставлен неиспользуемым длительное время.

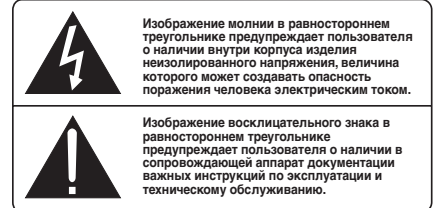
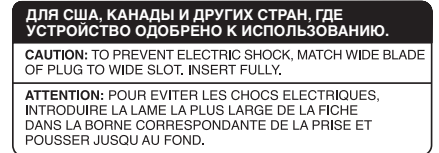
Используйте только принадлежности, указанные производителем.

Используйте только тележку, поставку, стойку, кронштейн или полку системы, рекомендованной компанией Rotel. Будьте осторожны при перемещении прибора на подставке или стойке во избежание ранения от опрокидывания.

Используйте кабели с защитой Class 2 при подсоединении колонок к клеммам усилителя для обеспечения надежной изоляции и минимизации риска удара электричеством.

Немедленно прекратите использование компонента и передайте на обследование и/или обслуживание квалифицированной ремонтной организацией если:

- Сетевой шнур или штекер был поврежден.
- Внутри прибора уронили предметы или пролили жидкость.
- Прибор побывал под дождем.
- Прибор демонстрирует признаки ненормальной работы.
- Прибор уронили или повредили любым другим способом.



Продукты Rotel спроектированы так, чтобы соответствовать требованиям международных директив по ограничению применения вредных веществ в электротехническом и электронном оборудовании (Restriction of Hazardous Substances – RoHS), также по обращению с отслужившим свой срок электротехническим и электронным оборудованием (Waste Electrical and Electronic Equipment – WEEE). Изображение перечеркнутого мусорного бака на колесах означает также то, что эти продукты должны быть вторично использованы (рециклированы) или же обработаны в соответствии с упомянутыми выше директивами.



Этот символ означает, что устройство имеет двойную изоляцию. Заземление не требуется.



Содержание

Figure 1: Органы управления и разъемы	3
Figure 2: Пульт ДУ RR-AT94	3
Figure 3: Подсоединение источников сигнала и акустических систем	4
Важные замечания	5
Важные инструкции по безопасности	60
О компании ROTEL	61
Первые шаги	62
Некоторые предосторожности	62
Размещение	62
Несколько слов о мощности в Ваттах	62
Кабели	63
Пульт ДУ	63
Аудио регулировки (A)(B)(C)(E)	63
Функции CD (D)(G)	63
Функции DVD (G)	63
Функции тюнера (D)(F)	63
Датчик дистанционного управления [3]	63
Установка батарей в пульт	63
Разъем EXT REM IN – вход электрического сигнала дистанционного управления [16]	63
Выходной разъем IR OUT [17]	63
Подсоединение акустических систем	64
Импеданс акустических систем	64
Выбор акустического кабеля	64
Полярность и фазировка	64
Подсоединение акустических кабелей [23][24]	64
Подсоединение входных сигналов	64
Вход для проигрывателя грампластинок «Phono» [15] и клемма заземления [14]	64
Входы линейного уровня [19]	64
Подсоединение записывающих устройств [20][21]	65
Вход Медиа плеер – Media Player [4]	65
Выходы предусилителя [22]	65
Питание усилителя и органы управления	65
Разъем для сетевого шнура [25]	65
Выключатель питания POWER и индикатор питания [1]	65
Подсоединения 12-В триггерного сигнала [18]	65
Аудио регулировки	65
Регулятор громкости (VOLUME) [10](C)	65
BALANCE (Регулятор баланса) [11]	66
BASS и TREBLE (Регуляторы тембра) [7][9]	66
Выключатель регуляторов тембра (TONE On/Off) [8]	66
Селектор входов – Listening Selector [13](B)	66
Селектор выходов на запись – Recording Selector [12]	66
Кнопка MUTE (Заглушение звука) (A)	66
Выход Phones (Наушники) [5]	66
Селектор пар акустических систем SPEAKERS Selector [6]	66
Схема защиты	66
Светодиодный индикатор защиты [2]	66
Обнаружение и устранение неисправностей	67
Не светится индикатор питания	67
Замена предохранителя	67
Нет звука	67
Светится индикатор PROTECTION	67
Конфликты кодов пультов ДУ	67
Сброс ИК-кода	67
Технические характеристики	67

О компании ROTEL

История нашей компании началась почти 50 лет назад. За прошедшие десятилетия мы получили сотни наград за наши продукты и сделали счастливыми сотни тысяч людей, которые относятся к своим развлечениям вполне серьезно – так же, как вы!

Компания Rotel была основана семейством, чья страсть к музыке породила стремление создавать hi-ё компоненты бескомпромиссного качества. За многие годы эта страсть ничуть не ослабла, и по сей день общая цель – выпускать продукты исключительной ценности для аудиофилов и любителей музыки, независимо от их финансовых возможностей, разделяется всеми сотрудниками Rotel.

Инженеры Rotel работают как единая команда, прослушивая и тщательно доводя каждый новый продукт до такого уровня совершенства, когда он будет удовлетворять их строгим музыкальным стандартам. Им предоставлена свобода выбора комплектующих по всему миру, чтобы сделать аппарат как можно лучше. Вероятно, вы сможете найти в наших аппаратах отборные конденсаторы из Великобритании и Германии, полупроводники из Японии и США, однако тороидальные силовые трансформаторы мы изготавливаем на собственном заводе ROTEL.

Все мы заботимся об охране окружающей среды. По мере того, как все больше электронных устройств в мире выпускается, а после окончания срока службы выбрасывается, для производителя особенно важно при конструировании продуктов сделать все возможное, чтобы они наносили минимальный ущерб земле и источникам воды.

Мы в компании Rotel, гордимся своим вкладом в общее дело. Во-первых, мы сократили содержание свинца в своей электронике, за счет использования припоя, отвечающего требованиям ROHS, во-вторых, наши новые усилители, работающие в классе D, имеют в пять раз более высокий к.п.д., чем предыдущие разработки, при одинаковой выходной мощности и качестве звучания. Подобные продукты практически не выделяют тепла, не растрчивают попусту энергию, хороши с точки зрения охраны окружающей среды и вдобавок лучше звучат.

Наконец, даже эту инструкцию мы отпечатали на бумаге, полученной из вторичных ресурсов.

Мы понимаем, что это маленькие шаги вперед, но они очень важны. Ведь мы продолжаем поиски новых методов и материалов для более чистых и дружелюбных к окружающей среде технологических процессов.

Все мы, сотрудники компании ROTEL, благодарим Вас за покупку этого изделия. Мы уверены, что оно доставит вам много лет удовольствия.

Несколько слов о мощности в Ваттах

Выходная мощность усилителя составляет 60 Вт на канал, при обоих одновременно работающих на полную мощность каналах. Компания решила измерять выходную мощность именно таким методом потому, что по опыту Rotel, только он дает истинную оценку возможностей ресивера или усилителя.

Сравнивая данные в технических характеристиках различных продуктов, нужно иметь в виду, что выходная мощность часто измеряется совсем другим способом, так что, возможно, вы пытаетесь сравнить между собой совершенно разные вещи.

Например, выходная мощность может быть приведена только для одного работающего канала, что позволяет получить более высокий показатель максимальной мощности.

Импеданс акустических систем показывает, каково электрическое сопротивление или нагрузка, подключаемая на выход усилителя, и обычно она равняется 8 Ом или 4 Ома. Чем ниже импеданс, тем большая мощность потребуется для колонки. В результате, акустическая система с сопротивлением 4 Ом нуждается в усилителе вдвое большей мощности, чем 8-омная АС.

Однако усилители Rotel спроектированы так, чтобы работать с любым импедансом колонок – от 8 Ом до 4 Ом, при всех каналах одновременно выдающих полную мощность. И так как конструкции Rotel оптимизированы для использования со всеми одновременно работающими каналами, Rotel может указывать истинную мощность для обоих каналов.

Первые шаги

Благодарим Вас за покупку интегрированного стерео усилителя Rotel RA-1520. В составе высококачественной аудиосистемы он будет доставлять Вам удовольствие многие годы.

RA-1520 – полнофункциональный компонент с отличными рабочими характеристиками. Все аспекты его конструкции оптимизированы для получения полного динамического диапазона и передачи тончайших нюансов музыки. Высокостабильный источник питания RA-1520 включает в себя фирменный тороидальный трансформатор Rotel и заказные конденсаторы с перфорированной фольгой. Этот источник обладает низким выходным сопротивлением и большим запасом по мощности, позволяющим RA-1520 воспроизводить самые сложные аудио сигналы. Стоимость изготовления данной конструкции выше, но она имеет преимущества с точки зрения музыки.

Дорожки печатных плат усилителя расположены симметрично. Это обеспечивает точное соблюдение временных параметров музыкального сигнала. В сигнальном тракте применены металлопленочные резисторы и полистироловые или полипропиленовые конденсаторы. Каждый элемент схемы подвергался тщательному рассмотрению, чтобы добиться максимально достоверного воспроизведения музыки.

Кроме того, RA-1520 имеет независимые селекторы входов для прослушивания и на запись. Это позволяет вам слушать один источник и одновременно записывать другой.

RA-1520 прост в настройке и эксплуатации. Если Вы уже имели дело со стереосистемами, у Вас не возникнет никаких вопросов. Просто подключите остальные компоненты и наслаждайтесь.

Некоторые предосторожности

Пожалуйста, внимательно прочтите данное руководство. Кроме базовых инструкций по установке и работе, оно дает вам ценную информацию о различных конфигурациях систем на базе RA-1520 и о том, как оптимизировать его характеристики. Если возникнут вопросы, обратитесь к авторизованному дилеру Rotel. Кроме того, все мы, сотрудники Rotel, готовы ответить на Ваши вопросы и принять Ваши замечания.

Сохраните коробку RA-1520 и все остальные упаковочные материалы, чтобы в дальнейшем иметь возможность воспользоваться ими. Транспортировка RA-1520 вне заводской упаковки может вызвать серьезные повреждения усилителя.

Обязательно сохраните чек и гарантийный талон. Это главные документы, удостоверяющие дату покупки, в случае обращения за гарантийным обслуживанием.

Размещение

Как и все компоненты, обрабатывающие слабые электрические сигналы, RA-1520 подвержен влиянию окружающей среды и другого оборудования. Старайтесь не ставить RA-1520 на другие компоненты и не прокладывать сигнальные кабели рядом со шнурами питания. Это снизит вероятность помех.

В процессе нормальной работы RA-1520 выделяет тепло. Радиаторы и вентиляционные отверстия предназначены для отвода этого тепла. Не загромождайте вентиляционные отверстия на верхней крышке. Оставьте не менее 10 см свободного пространства вокруг корпуса и обеспечьте достаточный воздухообмен, чтобы усилитель не перегревался.

Помните о весе усилителя, когда выбираете место для его установки. Убедитесь, что полка или подставка достаточно прочна, чтобы выдержать вес аппарата. Рекомендуем использовать специализированную мебель для аудио компонентов. Такая мебель рассчитана на подавление вибрации, влияющей на качество звуковоспроизведения. Обратитесь к авторизованному дилеру Rotel за советом по правильному выбору мебели для компонентов и по правильной их установке.

RA-1520 поставляется с пультом RR-AT94, и должен быть установлен так, чтобы инфракрасный сигнал от пульта мог легко достичь датчика на передней панели усилителя.

Кабели

Шнуры питания, цифровые и аналоговые аудио кабели должны находиться как можно дальше друг от друга. В этом случае меньше шансов, что аналоговый сигнал будет загрязнен шумом и помехами от силовых и цифровых кабелей. С той же целью используйте только высококачественные экранированные кабели. Обратитесь к вашему авторизованному дилеру Rotel за советами по выбору самых лучших кабелей для использования в вашей аудио системе.

Пульт ДУ

Входящий в комплект RA-1520 пульт RR-AT94 может управлять самим аппаратом и еще некоторыми другими компонентами Rotel: CD-плеерами, DVD-плеерами и AM/FM тюнерами.

Аудио регулировки

Большинство кнопок пульта RR-AT94 дублируют кнопки на передней панели RA-1520. Если функция доступна как с передней панели, так и с пульта, в дальнейших описаниях приводятся числа (см. рис. передней панели), а также буквы (см. рис. кнопок на пульте). Например, для изменения громкости вы можете либо повернуть ручку громкости на передней панели, либо использовать кнопки на передней панели. Если же присутствует только число или только буква, значит орган управления доступен только на передней панели или на пульте, но не в двух местах.

Функции CD

После того, как на пульте нажата кнопка CD, кнопками PLAY, STOP, PAUSE, TRACK и RANDOM, а также цифровыми кнопками NUMERIC (0 – +10) можно управлять многими CD-плеерами Rotel.

Функции DVD

После того, как на пульте нажата кнопка AUX1, кнопками PLAY, STOP, PAUSE и TRACK +/- можно управлять многими DVD-плеерами Rotel.

Функции тюнера

После того, как на пульте нажата кнопка TUNER, кнопками BAND, TUNING и дополнительными кнопками настройки можно управлять тюнерами Rotel.

ПРИМЕЧАНИЕ: По умолчанию пульт RR-AT94 может управлять тюнерами Rotel RT-1080/RT-1082/RT-1084. Пульт можно также запрограммировать на управление тюнером RT-940AX. Это нужно проделать только один раз:

Чтобы запрограммировать на работу с RT-940AX: нажмите кнопку POWER и цифровую кнопку "2" одновременно.

Чтобы запрограммировать на работу с RT-1080/RT-961/RT-955: нажмите кнопку POWER и цифровую кнопку "1" одновременно.

Датчик дистанционного управления

Датчик воспринимает инфракрасные сигналы дистанционного управления от пульта. Не загораживайте его, иначе дистанционное управление не будет работать.

На работоспособность сенсора может также повлиять яркий свет, особенно солнечный; и некоторые типы искусственного освещения, например, галогеновые лампы, значительная часть спектра которых находится в инфракрасном диапазоне. Кроме того, дистанционное управление затрудняется при истощении элементов питания пульта RR-AT94.

ПРИМЕЧАНИЕ: Для использования пульта, направьте его на датчик ИК-сигналов, расположенный на передней панели RA-1520

Установка батарей в пульт

Перед использованием пульта необходимо установить в него две батарейки размера UM-4/AAA (прилагаются). Для того, чтобы вставить батареи, снимите крышку с задней стороны RR-AT94. Вставьте батареи, как показано на рисунке в отсек для них. Проверьте, правильно ли работает пульт, а затем установите крышку обратно. Если батареи истощены, пульт не может управлять усилителем RA-1520 нормально. Установка свежих батарей позволит устранить проблемы.

Разъем EXT REM IN — вход электрического сигнала дистанционного управления

На это 3,5 мм гнездо, помеченное EXT REM IN, можно подать сигнал от ИК-сенсора сторонних производителей или от кнопочной панели Rotel, установленной в удаленной зоне. Этот вход можно использовать вместе с выносным ИК-сенсором для дублирования сигналов дистанционного управления, поступающих на сенсор передней панели. Такой прием полезен, когда усилитель находится не в главной комнате прослушивания, а помещен в скрытую стойку вместе с другими компонентами домашней автоматики; либо усилитель находится в комнате прослушивания, но в шкафу для аппаратуры с темными стеклами – словом, если сигнал с пульта не может попасть прямо на встроенный сенсор усилителя.

О выносных сенсорах и их правильном подсоединении на 3,5 мм гнездо EXT REM IN проконсультируйтесь у авторизованного дилера Rotel.

ПРИМЕЧАНИЕ: Сигнал со входа EXT IN и ZONE IN может быть передан далее на другие компоненты-источники при помощи внешних ИК излучателей или же проводным соединением с гнездом IR OUT. См. следующий раздел для получения дополнительной информации.

Выходной разъем IR OUT

С 3,5 мм выхода IR OUT сигнал, поступающий на вход EXT REM IN, передается на инфракрасный бластер или излучатель, помещенный перед ИК-сенсором компонента-источника. Кроме того, ИК-команды в электрическом виде можно подать по проводам на CD-проигрыватель, кассетную деку или тюнер производства Rotel, оснащенные совместимым ИК-входом.

Например, таким образом, можно осуществлять дистанционное управление другими компонентами, сенсоры ДУ которых заблокированы шкафом и недоступны для прямого управления с пульта.

Об инфракрасных излучателях и их подсоединении проконсультируйтесь у авторизованного дилера Rotel.

ПРИМЕЧАНИЕ: Вынимайте батареи из пульта, если не собираетесь использовать его в течение длительного времени. Не оставляйте разряженные батареи внутри пульта, из них могут вытечь коррозионные химикаты, которые повредят пульт.

Подсоединение акустических систем

См. Рис. 3

RA-1520 имеет две пары выходов на колонки, обозначенных SPEAKER A и SPEAKER B. Эти выходы на колонки контролируются переключателем на передней панели.

Импеданс акустических систем

Если в любой момент будет использоваться только одна пара колонок, то они могут иметь импеданс 4 Ома. Если одновременно могут работать два комплекта АС: А и В, тогда любая из акустических систем должна иметь импеданс 8 Ом или выше. Паспортные значения импеданса АС, как правило, очень приблизительны. Тем не менее, на практике только очень немногие АС могут представлять проблему для RA-1520. Проконсультируйтесь с вашим авторизованным дилером Rotel, если у вас возникли вопросы.

Выбор акустического кабеля

Используйте изолированный двухпроводной скрученный кабель для присоединения усилителя RA -1520 к акустическим системам. Размер и качество провода имеют заметное на слух влияние на параметры системы. Стандартный акустический кабель будет работать, но может привести к снижению громкости или ослаблению низких частот, особенно на больших расстояниях. В общем случае, более толстый кабель улучшает звучание. Для наилучших параметров, вы можете применить специальные акустические кабели высокого качества. Ваш авторизованный дилер ROTEL может помочь вам в выборе соответствующих кабелей для вашей системы.

Полярность и фазировка

Полярность или положительная/отрицательная ориентация соединений для каждого громкоговорителя должны быть согласованы, чтобы все акустические системы были в фазе. Если полярность одного соединения по ошибке сделана обратной, звучание низких частот будет очень слабым, а стереокартина деградирует. Все акустические кабели промаркированы, чтобы вы могли отличить два проводника. Это может быть полоса или рифление на изоляции одного проводника. Кабель может иметь прозрачную изоляцию с проводниками разного цвета (медный и серебряный). Это могут быть и метки полярности, напечатанные на изоляции. Определите положительный и отрицательный проводники и согласуйте с каждым разъемом громкоговорителя усилителя.

Подсоединение акустических кабелей

Выключите все компоненты в вашей аудио системе, прежде чем подсоединять колонки. Усилитель RA-1520 имеет винтовые клеммы с цветовой маркировкой на задней панели. Эти разъемы принимают зачищенный провод или наконечники типа «лопатки». (На рынках не-европейских стран, разъемы принимают также двойные «бананы»).

Проложите провода от усилителя RA-1520 к колонкам. Оставьте для себя достаточный запас, чтобы иметь возможность перемещения компонентов с целью доступа к разъемам громкоговорителей. Если вы применяете разъемы – «бананы», присоедините их к проводам и затем вставьте в разъемы для громкоговорителей. Зажимные втулки разъемов громкоговорителей должны быть завинчены на всю длину (по часовой стрелке).

Если вы используете «лопатки», смонтируйте их на провода. Если вы присоединяете зачищенные кабели непосредственно к разъемам громкоговорителей, отделите проводники и снимите изоляцию с конца каждого провода. Будьте внимательны, чтобы не повредить токопроводящие жилы. Отвинтите (против часовой стрелки) зажимную втулку разъема громкоговорителя. Расположите наконечник вокруг оси втулки, или просуньте оголенный провод в отверстие в оси. Заверните втулку по часовой стрелке, чтобы надежно зафиксировать наконечник или провод.

ПРИМЕЧАНИЕ: Убедитесь, что отдельные «разлохмаченные» жилы провода не касаются соседних проводов или разъемов.

Подсоединение входных сигналов

См. Рис. 3

RA-1520 имеет линейные входы для компонентов – источников, разъемы для кассетной деки, а также выходы предусилителя для подачи сигналов на внешний усилитель мощности.

ПРИМЕЧАНИЕ: Во избежание громкого шума, вредного для Вас и Ваших АС, выключайте питание всей системы, прежде чем производить любые соединения.

Вход для проигрывателя грампластинок «Phono» и клемма заземления

Подсоедините кабель от проигрывателя грампластинок к соответствующим гнездам PHONO (левому LEFT и правому RIGHT). Если у проигрывателя есть клемма заземления, подсоедините ее к клемме заземления усилителя. Это способствует уменьшению шума и помех.

Входы линейного уровня

RA-1520 имеет три пары обычных RCA разъемов для входов линейного уровня от компонентов, таких как CD-плееры, видеомагнитофоны, тюнеры, DVD-плееры и проигрыватели лазерных дисков. Эти входы маркированы CD, TUNER И AUX.

Входы левого и правого каналов явно помечены и должны подсоединяться к соответствующим каналам компонента-источника. Гнездо левого канала белое, правого – красное. Для подсоединения используйте высококачественные кабели со штекерами RCA. Ваш авторизованный дилер ROTEL может помочь вам в выборе соответствующих кабелей для вашей системы.

Подсоединение записывающих устройств

Входы и выходы Tape можно подсоединить к любому устройству записи/воспроизведения, оснащеному стандартным линейным аналоговым входом и выходом. Как правило, это кассетная дека. На задней панели имеются два комплекта разъемов, обозначенных TAPE 1 И TAPE 2.

При подсоединении записывающего устройства к RA-1520 выходы рекордера подсоединяются к входам Tape RA-1520, а входы рекордера – к выходам Tape RA-1520. Как всегда, соблюдайте соответствие левого и правого каналов. Для предотвращения снижения качества сигнала используйте высококачественные соединительные кабели.

ПРИМЕЧАНИЕ: Входы TAPE можно использовать и для обычного воспроизведения – только с компонентов источников, без подсоединения выходов.

Вход Медиа плеер – Media Player

На передней панели усилителя RA-1520 имеется входной стерео разъем 3.5 мм (1/8") для подключения портативных плееров ("Media Player"). Для того, чтобы выбрать этот вход, надо селектор перевести в положение AUX. Любой портативный плеер – кассетный, компакт-дисковый, на основе жесткого диска (HDD) или же полупроводниковой памяти – может быть подключен на этот вход.

Если ваш плеер имеет только выход на наушники, то следует предварительно отрегулировать его громкость, чтобы звук можно было нормально слушать. Если звук слишком громкий или искаженный, следует снизить громкость, если же он еле слышен, то добавьте громкость регулятором плеера.

ПРИМЕЧАНИЕ: : Если вход Media Player 3.5 мм (1/8") на передней панели занят стерео штекером плеера, то разъем AUX на задней панели, включенный параллельно фронтальному разъему, будет отключен, и поэтому вы не можете одновременно подключить еще одно устройство. Выньте 3.5 мм штекер из фронтального разъема, и вход AUX 3 на задней панели будет вновь доступен для внешних устройств. На пульте RR-AT94 используйте кнопки Volume + и – для регулировки громкости.

Выходы предусилителя

RA-1520 имеет пару выходов предусилителя, с которых можно послать регулируемый по уровню сигнал на внешний усилитель мощности или процессор сигналов. Выходы предусилителя выполнены на стандартных RCA разъемах, совместимых с входами большинства усилителей мощности. Используйте кабели высокого качества и убедитесь, что выходы левого и правого каналов предусилителя на RA-1520 подсоединены к правильным входам усилителя мощности.

Питание усилителя и органы управления

Разъем для сетевого шнура

Ввиду относительно высокой выходной мощности RA-1520 потребляет из сети значительный ток. Поэтому его можно включать только непосредственно в поляризованную настенную розетку с двумя контактами. Не пользуйтесь удлинителями. Можно использовать разветвитель питания высокой мощности, если он (и стенная розетка) способны выдержать ток потребления усилителя RA-1520 и других компонентов, включенных в разветвитель.

Ваш RA-1520 настроен на заводе в соответствии со стандартами электрической сети в Вашей стране (США: 120В/60 Гц или Европа: 230 В переменного тока и 50 Гц). Конфигурация электропитания обозначена на задней панели аппарата. Сначала вставьте сетевой шнур из прилагаемого комплекта в разъем на задней панели. Не вставляйте сетевую вилку в розетку, пока не сделаете все соединения входов и выходов.

ПРИМЕЧАНИЕ: Если Вы переедете в другую страну, можно приспособить усилитель к другому сетевому напряжению. Однако, не пытайтесь сделать это сами. Открыв корпус RA-1520, вы можете получить удар током, опасный для жизни. Обратитесь к квалифицированному мастеру или в сервисную службу Rotel.

Если Вы надолго уезжаете из дома, например, на месяц, разумно будет вынуть вилки шнуров питания усилителя и других компонентов системы из розеток.

Выключатель питания POWER и индикатор питания

Чтобы включить усилитель RA-1520, нажмите кнопку выключателя питания POWER на передней панели. Загорится кольцо вокруг выключателя, означая, что усилитель включен и светодиод LED функции приглушения MUTE также будет светиться пока RA-1520 включен. Чтобы выключить усилитель RA-1520, нажмите кнопку POWER еще раз. Когда RA-1520 включен с помощью кнопки на передней панели, его можно будет переводить из режима ожидания standby и в работу с помощью кнопки POWER на пульте RR-AT94.

Подсоединения 12-В триггерного сигнала

Некоторые усилители Rotel способны включаться и выключаться по командам 12-В триггерного сигнала, посылаемого на их вход. Когда RA-1520 включен, 12-В сигнал постоянного тока посылается на усилители для их включения. Когда RA-1520 выключается, триггерный сигнал прерывается и внешний усилитель также выключаются.

Аудио регулировки

Следующие регулировки используются при работе с RA-1520.

Регулятор громкости (VOLUME)

Чтобы повысить громкость, поверните регулятор VOLUME по часовой стрелке, чтобы понизить – против часовой стрелки. На пульте RR-AT94 пользуйтесь кнопками Volume + и – для повышения и понижения громкости.

BALANCE (Регулятор баланса)

Регулировка баланса предназначена для смещения влево или вправо звуковой панорамы. Нормальное положение этого регулятора – среднее. Иногда, особенно если место слушателя смещено от центральной оси между колонками, возникает необходимость сместить звуковой баланс влево (поворот регулятора против часовой стрелки) или вправо (по часовой стрелке).

BASS и TREBLE (Регуляторы тембра)

Две ручки на передней панели предназначены для регулировки тонального баланса звука, усиливая или ослабляя уровень низких частот (Bass) и уровень высоких частот (Treble). Если регулировки тембра не нужны, то с помощью выключателя TONE можно их обойти.

Выключатель регуляторов тембра (TONE On/Off)

Когда этот выключатель находится в положении Off, то цепи регуляторов тембра Bass и Treble исключаются из тракта прохождения сигнала для получения как можно более чистого звука.

Селектор входов – Listening Selector

Селектор входов LISTENING служит для выбора входного сигнала, который пойдет на главные выходы и далее на усилитель мощности – попросту говоря, для выбора источника, который вы будете слушать. Поверните ручку селектора на передней панели или нажмите одну из кнопок на пульте RR-AT94, чтобы выбрать источник для прослушивания.

Селектор выходов на запись – Recording Selector

Усилитель RA-1520 может вести запись с любого входного источника (кроме TAPE 2) на любое устройство, подсоединенное к выходам TAPE 1 или TAPE 2. Для выбора источника для записи поверните ручку селектора на передней панели для выбора нужного сигнала, который пойдет на выход для записи.

Этот селектор независим от селектора источников для прослушивания. Во время записи вы можете выбрать другую программу для прослушивания с помощью селектора LISTENING.

Если у вас есть трехголовочная кассетная дека или DAT-рекордер, который позволяет одновременно вести запись и воспроизведение, вы сможете контролировать процесс записи, установив селектор LISTENING в положение TAPE 1 или TAPE 2.

ПРИМЕЧАНИЕ: Если вы выберете TAPE 1 с помощью селектора RECORDING, сигнал для записи будет доступен только на выходе TAPE 2, а не на выходе TAPE 1. Для копирования записи на ленте, выберите TAPE 1 и ведите запись на кассетную деку, подключенную к выходу TAPE 2.

Кнопка MUTE (Заглушение звука)

Чтобы временно заглушить звук, нажмите кнопку MUTE на пульте RR-AT94. Чтобы восстановить исходный уровень громкости, нажмите ту же кнопку еще раз. При заглушенном звуке светодиод на регуляторе громкости мигает.

Выход Phones (Наушники)

К этому гнезду для персонального прослушивания подсоединяются стандартные стереонаушники со штекером 1/8 дюйма.

Если у ваших наушников другой штекер, используйте переходник. Ваш авторизованный дилер ROTEL может помочь вам в выборе соответствующего адаптера для ваших наушников.

ПРИМЕЧАНИЕ: Подсоединение наушников не отключает звук в AC. Если это необходимо, отключайте звук в AC с помощью селектора SPEAKERS.

Селектор пар акустических систем SPEAKERS Selector

Поворотный переключатель на 4 положения определяет, какой комплект колонок будет звучать. Выбирайте положение селектора SPEAKER следующим образом:

OFF: Звук из колонок не будет слышен. Используйте это положение при прослушивании через наушники.

A: Звук будет слышен из колонок, подключенных к клеммам SPEAKER A.

B: Звук будет слышен из колонок, подключенных к клеммам SPEAKER B.

A+B: Звук будет слышен из обоих комплектов колонок, подключенных как к клеммам SPEAKER A так и SPEAKER B.

Схема защиты

Светодиодный индикатор защиты

Схемы защиты, в том числе тепловой, предотвращают потенциальное повреждение усилителя в случае экстремальных ситуаций или состоянии отказа. В отличие от многих других усилителей, схема защиты RA-1520 независима от аудио сигнала и не влияет на качество звуковоспроизведения. Вместо этого, схема защиты отслеживает температуры выходных транзисторов и отключает усилитель, если они превышают безопасные пределы.

Кроме того, RA-1520 снабжен защитой от превышения тока, которая срабатывает, только если импеданс нагрузки становится слишком низким. Эта защита является независимой для каждого из каналов и индицируется светодиодом Protection LED.

При наступлении отказа, усилитель остановит воспроизведение, и светодиод Protection LED загорится на передней панели.

Если это произойдет, выключите усилитель, дайте ему остыть несколько минут и попытайтесь обнаружить и исправить проблему. Для каждой пары каналов существуют свои индикаторы, которые могут помочь в определении причины неисправности. Когда вы включаете усилитель снова, схема защиты автоматически сбрасывается и индикатор Protection LED гаснет.

В большинстве случаев, схема защиты активируется в результате неисправности, такой как короткое замыкание в акустическом кабеле или недостаточная вентиляция. В очень редких случаях, срабатывание схемы защиты может обусловить высокая реактивность или чрезвычайно низкий импеданс громкоговорителя нагрузки.

Обнаружение и устранение неисправностей

Большинство неполадок в аудиосистемах происходит из-за неправильных соединений или неправильных установок органов управления. Если, несмотря на тщательную проверку соединений и установок, Вы не можете добиться звука от RA-1520, просмотрите представленный ниже список.

Не светится индикатор питания

Когда вилка шнура питания RA-1520 вставлена в сетевую розетку и нажат выключатель POWER, должен светиться кольцевой индикатор питания. Если он не светится, проверьте наличие напряжения в сетевой розетке другим электроприбором, например, лампой. Убедитесь, что розетка не контролируется каким-либо выключателем, который в данный момент выключен.

Замена предохранителя

Если другой электроприбор, подключенный к той же розетке, работает, а RA-1520 – нет, возможно, перегорел внутренний плавкий предохранитель проигрывателя. В этом случае обратитесь в авторизованную сервисную службу Rotel.

Нет звука

Убедитесь, что источник сигнала нормально функционирует. Проверьте кабели, подсоединяющие вход RA-1520 к источнику сигнала; убедитесь, что селектор входов установлен в нужное положение. Проверьте также подсоединение RA-1520 к АС.

Светится индикатор PROTECTION

Сработала схема защиты. Обычно это происходит при блокировке вентиляционных отверстий, неправильном подсоединении АС или продолжительной работе в экстремальном режиме. Выключите систему и подождите, пока усилитель остынет. Затем включите и выключите кнопку питания на передней панели, чтобы сбросить устройство защиты. Если защита срабатывает повторно, значит, неисправность заключается в системе или самом усилителе.

Конфликты кодов пультов ДУ

Rotel использует одни и те же ИК-коды для всех своих аудио продуктов. В системах где имеется множество компонентов Rotel, ИК-коды для управления одним компонентом могут конфликтовать с кодами для другого компонента. Для пульта RR-AT94 и усилителя RA-1520 можно задать запасные коды управления, чтобы предотвратить конфликты.

Для смены кодов RR-AT94, нажмите кнопку Phono и кнопку 2 одновременно. Для смены кодов RA-1520, направьте пульт RR-AT94 на RA-1520, а затем нажмите и удержите кнопку 2 более 5 секунд. Светодиод LED на регуляторе громкости будет мигать, сигнализируя, что код изменен.

ПРИМЕЧАНИЕ: После смены кодов согласно процедуре, указанной выше, пульт не сможет больше управлять тюнерами Rotel. Для возврата ИК-кодов RR-AT94 в состояние по умолчанию, нажмите кнопку Phono и кнопку 1 одновременно. Для возврата ИК-кодов RA-1520 в состояние по умолчанию, направьте пульт RR-AT94 на RA-1520 а затем нажмите и удержите кнопку 1 более 5 секунд. Светодиод LED на регуляторе громкости будет мигать, сигнализируя, что код изменен.

Сброс ИК-кода

Если вам необходимо сбросить ИК-код, нажмите кнопку MUTE ^(A) на пульте RR-AT94 и удержите ее более 5 секунд, направляя пульт на RA-1520. Устройство вернется в состояние по умолчанию и светодиод Listening CD LED ^(B) загорится, индицируя, что ИК-код сброшен. Обратитесь к вашему авторизованному дилеру Rotel за дополнительной информацией.

Технические характеристики

Номинальная выходная мощность, непр. 60 Вт/канал

(20 Гц – 20 кГц, <0,03%, на 8 Ом)

Общие гармонические искажения THD <0,03%

(20 Гц – 20 кГц)

при номинальной мощности,

1/2 мощности или 1 Вт

Интермодуляционные искажения <0,03%

(60 Гц : 7 кГц, 4:1)

при номинальной мощности,

1/2 мощности или 1 Вт

Частотная характеристика

Вход Phono 20 Гц – 15 кГц, +0,2 дБ

Линейные входы 10 Гц – 100 кГц, +1, –3 дБ

Демпинг-фактор (20 Гц – 20 кГц, 8 Ом) 150

Чувствительность/вх. сопротивление 170 мВ/ 24 кОм

Перегрузка по линейному входу 5 В

Чувствительность/вх. сопротивление, 2.8 мВ/ 47 кОм

Phono (ММ)

Перегрузка по входу Phono 170 мВ

Выход предусилителя/вх. сопротивление 1 В/ 470 Ом

Отношение сигнал/шум > 95 дБ

(IHF взвешенное по кривой "А")

Требования к электропитанию

США: 120 В, 60 Гц

ЕС: 230 В, 50 Гц

Потребляемая мощность 300 Вт

Габариты (ш x в x г) 431 x 99 x 339 мм

Высота передней панели 2U (88.1мм)

Масса нетто 7,8 кг

Все технические характеристики соответствуют действительности на дату издания.

Компания Rotel оставляет за собой право модернизировать изделия без предварительного уведомления.

Rotel and the Rotel Hi-Fi logo are registered trademarks of The Rotel Co, Ltd., Tokyo, Japan.



ROTEL®

The Rotel Co. Ltd.

10-10 Shinsen-Cho
Shibuya-Ku
Tokyo 150-0045
Japan

Rotel of America

54 Concord Street
North Reading, MA 01864-2699
USA
Phone: +1 978-664-3820
Fax: +1 978-664-4109

Rotel Europe

Dale Road
Worthing, West Sussex BN11 2BH
England
Phone: + 44 (0)1903 221 761
Fax: +44 (0)1903 221 525

Rotel Deutschland

Vertrieb: B&W Group Germany GmbH
Kleine Heide 12
D-33790 Halle/Westf., Deutschland
Tel.: 05201 / 87170
Fax: 05201 / 73370
E-Mail: info@bwgroup.de
www.rotel-hifi.de

www.rotel.com

082 OMRA1520 022309

English • Français • Deutsch • Español
Nederlands • Italiano • Svenska • Русский