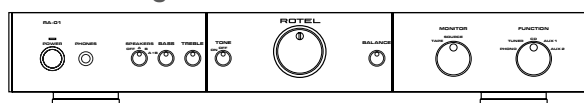


ROTEL

**Owner's Manual
Manuel d'utilisation
Bedienungsanleitung
Manuale di Istruzioni
Manual de Instrucciones
Gebruiksaanwijzing
Bruksanvisning**

RA-01

**Stereo Integrated Amplifier
Amplificateur Intégré Stéréophonique
Stereo-Vollverstärker
Amplificatore Integrato Estereofonico
Amplificador Integrado Estereofónico
Geïntegreerde Stereo Versterker
Integrerad Stereoförstärkare**

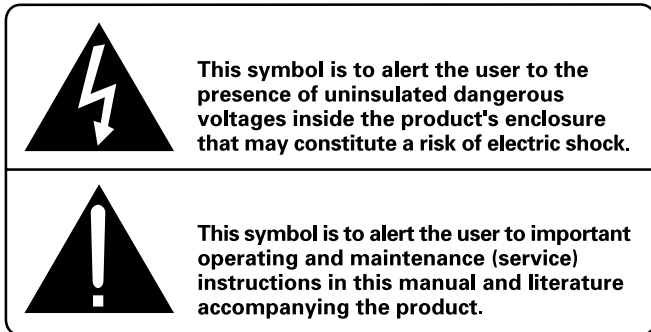




APPLICABLE FOR USA, CANADA OR WHERE APPROVED FOR THE USAGE

CAUTION: TO PREVENT ELECTRIC SHOCK, MATCH WIDE BLADE OF PLUG TO WIDE SLOT. INSERT FULLY.

ATTENTION: POUR EVITER LES CHOCS ELECTRIQUES, INTRODUIRE LA LAME LA PLUS LARGE DE LA FICHE DANS LA BORNE CORRESPONDANTE DE LA PRISE ET POUSSER JUSQU'AU FOND.



Important Safety Instructions

WARNING: There are no user serviceable parts inside. Refer all servicing to qualified service personnel.

WARNING: To reduce the risk of fire or electric shock, do not expose the unit to moisture or water. Do not allow foreign objects to get into the enclosure. If the unit is exposed to moisture, or a foreign object gets into the enclosure, immediately disconnect the power cord from the wall. Take the unit to a qualified service person for inspection and necessary repairs.

Read all the instructions before connecting or operating the component. Keep this manual so you can refer to these safety instructions.

Heed all warnings and safety information in these instructions and on the product itself. Follow all operating instructions.

Clean the enclosure only with a dry cloth or a vacuum cleaner.

You must allow 10 cm or 4 inches of unobstructed clearance around the unit. Do not place the unit on a bed, sofa, rug, or similar surface that could block the ventilation slots. If the component is placed in a bookcase or cabinet, there must be ventilation of the cabinet to allow proper cooling.

Keep the component away from radiators, heat registers, stoves, or any other appliance that produces heat.

The unit must be connected to a power supply only of the type and voltage specified on the rear panel of the unit.

Connect the component to the power outlet only with the supplied power supply cable or an exact equivalent. Do not modify the supplied cable in any way. Do not attempt to defeat grounding and/or polarization provisions. Do not use extension cords.

Do not route the power cord where it will be crushed, pinched, bent at severe angles, exposed to heat, or damaged in any way. Pay particular attention to the power cord at the plug and where it exits the back of the unit.

The power cord should be unplugged from the wall outlet if the unit is to be left unused for a long period of time.

Immediately stop using the component and have it inspected and/or serviced by a qualified service agency if:

- The power supply cord or plug has been damaged.
- Objects have fallen or liquid has been spilled into the unit.
- The unit has been exposed to rain.
- The unit shows signs of improper operation
- The unit has been dropped or damaged in any way

Place the unit on a fixed, level surface strong enough to support its weight. Do not place it on a moveable cart that could tip over.



Figure 1: Controls and Connections
Commandes et branchements
Bedienelemente und Anschlüsse
Controlli e collegamenti
Controles y Conexiones
De bedieningsorganen en de aansluitingen
Funktioner och anslutningar

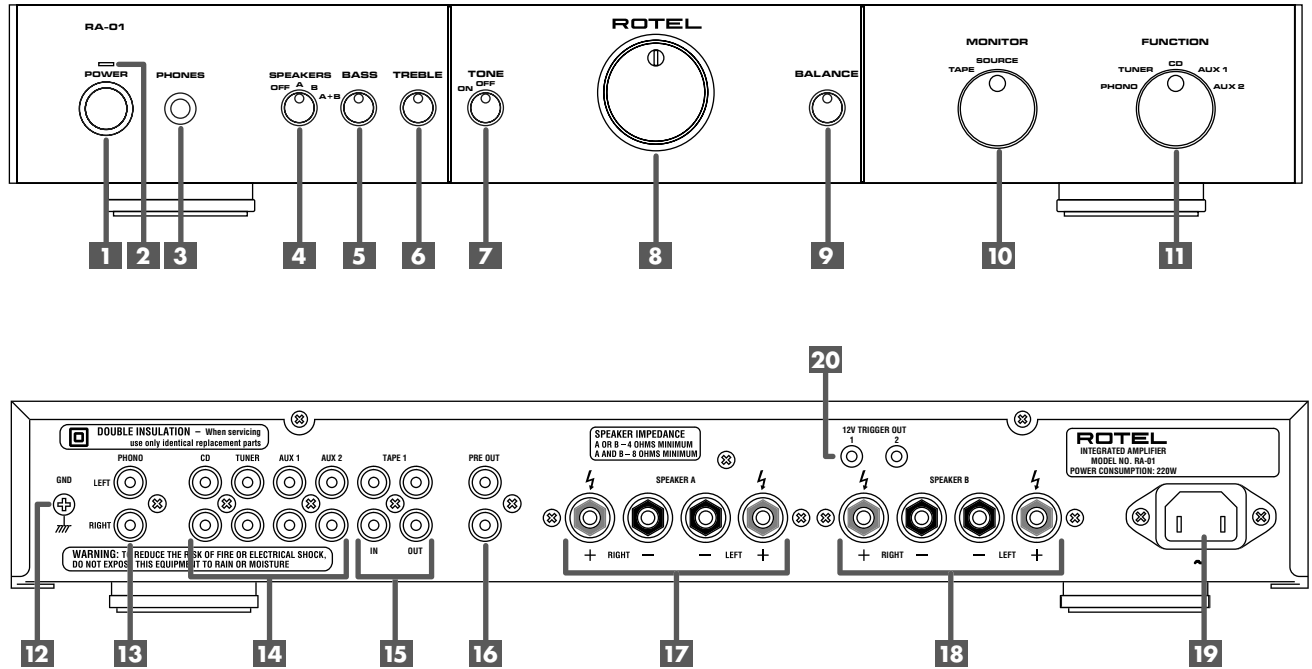
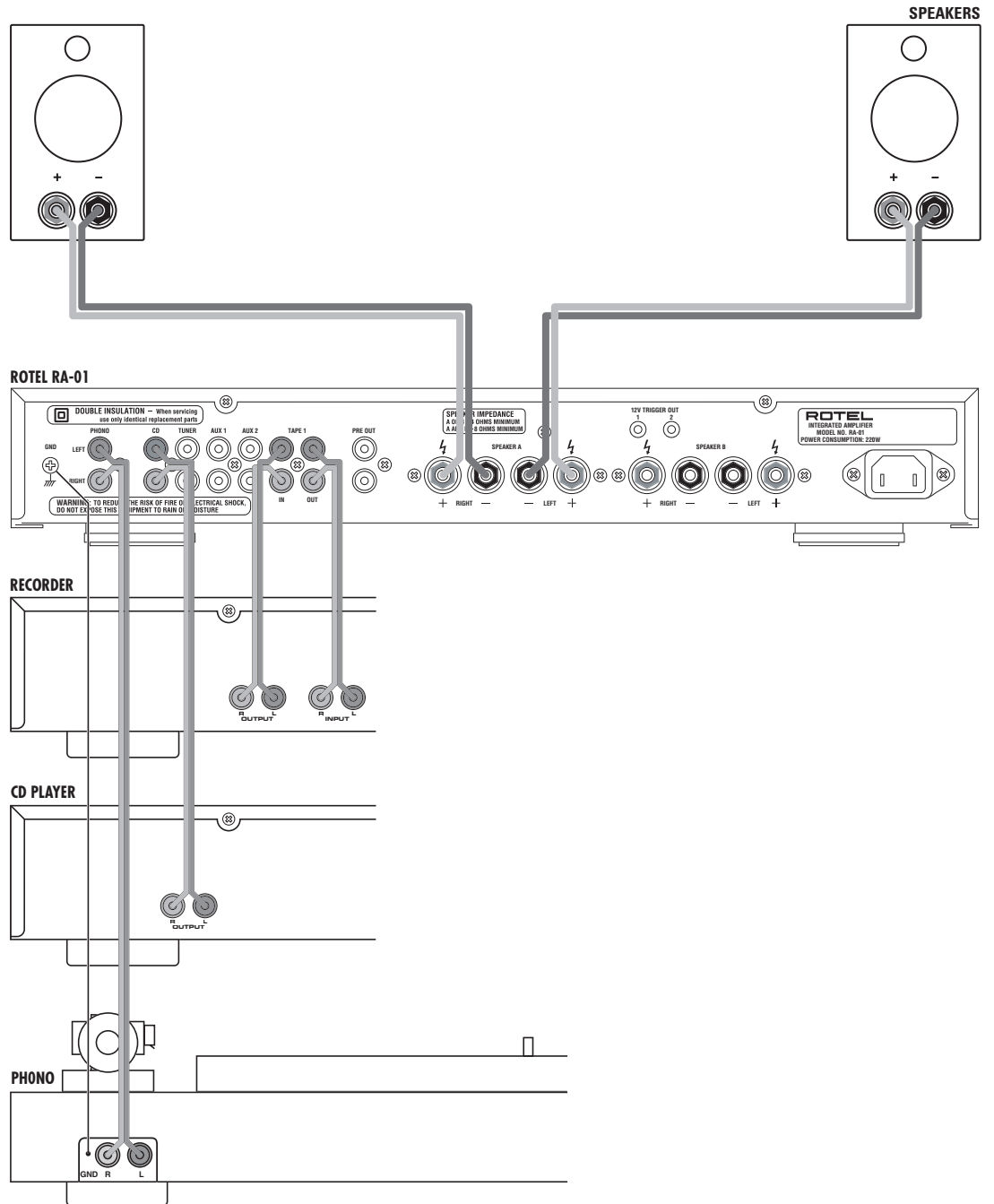


Figure 2: Signal Input and Speaker Output Connections
Signaux d'entrée et branchements enceintes acoustiques
Signaleingang und Anschluß eines Lautsprecherpaares
Collegamenti dei segnali linea in ingresso, del registratore, dei diffusori
Conexiones para Entrada de Señal y Salida a las Cajas Acústicas
Het aansluiten van de lijnbronnen, een opname/weergaveapparaat en de luidsprekers
Anslutningar för ingångssignalerna och högtalarutgångarna



Contents

Important Safety Instructions	2
Figure 1: Controls and Connections	3
Figure 2: Signal Input and Speaker Output Connections	4
About Rotel	5
Getting Started	5
A Few Precautions	5
Placement	6
Cables	6
AC Power and Control	6
AC Power Input 19	6
Power Switch 1 and Power Indicator 2	6
Input Signal Connections	6
Phono Input 13 and Ground Connection 12	6
Line Level Inputs 14	6
Recorder Connections 15	6
Preamp Outputs 16	6
Speaker Outputs 17 18	
Speaker Selector Switch 4	7
Speaker Selection	7
Speaker Wire Selection	7
Polarity and Phasing	7
Speaker Connection	7
Phones Output 3	7
Audio Controls	7
Volume Control 8	7
Balance Control 9	7
Tone On/Off Switch 7	7
Bass and Treble Controls 5 6	7
Function Control 11	8
Monitor Control 10	8
12 Volt Trigger Outlet 20	8
Troubleshooting	8
Power Indicator Is Not Lit	8
Specifications	8
Fuse Replacement	8
No Sound	8
Sommaire	9

About Rotel

A family whose passionate interest in music led them to manufacture high fidelity components of uncompromising quality founded Rotel over 40 years ago. Through the years that passion has remained undiminished and the family goal of providing exceptional value for audiophiles and music lovers regardless of their budget, is shared by all Rotel employees.

The engineers work as a close team, listening to, and fine tuning each new product until it reaches their exacting musical standards. They are free to choose components from around the world in order to make that product the best they can. You are likely to find capacitors from the United Kingdom and Germany, semi conductors from Japan or the United States, while toroidal power transformers are manufactured in Rotel's own factory.

Rotel's reputation for excellence has been earned through hundreds of good reviews and awards from the most respected reviewers in the industry, who listen to music every day. Their comments keep the company true to its goal - the pursuit of equipment that is musical, reliable and affordable.

All of us at Rotel, thank you for buying this product and hope it will bring you many hours of enjoyment.

Getting Started

Thank you for purchasing the Rotel RA-01 Stereo Integrated Amplifier. When used in a high-quality music audio system, it will provide years of musical enjoyment.

The RA-01 is a full featured, high performance component. All aspects of the design have been optimized to retain the full dynamic range and subtle nuances of your music. The RA-01 has a highly regulated power supply incorporating a Rotel custom-designed toroidal power transformer. This low impedance power supply has ample power reserves, which enables the RA-01 to easily reproduce the most demanding audio signals. This type of design is more expensive to manufacture, but it is better for the music.

The printed circuit boards (PCB) are designed with Symmetrical Circuit Traces. This insures that the precise timing of the music is maintained and faithfully recreated. The RA-01 circuitry uses metal film resistors and polystyrene or polypropylene capacitors in important signal paths. All aspects of this design have been examined to ensure the most faithful music reproduction.

The main functions of the RA-01 are easy to install and use. If you have experience with other stereo systems, you shouldn't find anything perplexing. Simply plug in the associated components and enjoy.

A Few Precautions

WARNING: To avoid potential damage to your system, turn off ALL the components in the system when connecting or disconnecting the loudspeakers or any associated components. Do not turn the system components back on until you are sure all the connections are correct and secure. Pay particular attention to the speaker wires. There must be no loose strands that could contact the other speaker wires, or the chassis of the amplifier.

Please read this manual carefully. It provides information on how to incorporate the RA-01 into your system as well as information that will help you get optimum sound performance. Please contact your authorized Rotel dealer for answers to any questions you might have. In addition, all of us at Rotel welcome your questions and comments.

Save the RA-01 shipping carton and all enclosed packing material for future use. Shipping or moving the RA-01 in anything other than the original packing material may result in severe damage to your amplifier.

Fill out and send in the owner's registration card packed with the RA-01. Also be sure to keep the original sales receipt. It is your best record of the date of purchase, which you will need in the event warranty service is ever required.

Placement

Like all audio components that handle low-level signals, the RA-01 can be affected by its environment. Avoid placing the RA-01 on top of other components. Also avoid routing audio signal cables near power cords. This will minimize the chance it will pick up hum or interference.

The RA-01 generates heat as part of its normal operation. The heat sinks and ventilation openings in the amplifier are designed to dissipate this heat. The ventilation slots in the top cover must be open. There should be 10 cm (4 inches) of clearance around the chassis, and reasonable airflow through the installation location, to prevent the amplifier from overheating.

Remember the weight of the amplifier when you select an installation location. Make sure that the shelf or cabinet can support it. We recommend installing the RA-01 in furniture designed to house audio components. Such furniture is designed to reduce or suppress vibration which can adversely affect sound quality. Ask your authorized Rotel dealer for advice about component furniture and proper installation of audio components.

Cables

Be sure to keep the power cords, digital signal cables and regular audio signal cables in your installation away from each other. This will minimize the chance of the regular audio signal cables picking up noise or interference from the power cords or digital cables. Using only high quality, shielded cables will also help to prevent noise or interference from degrading the sound quality of your system. If you have any questions see your authorized Rotel dealer for advice about the best cable to use with your system.

AC Power and Control

AC Power Input 19

The RA-01 does not draw high levels of current from the power outlet. However, whenever possible, it should be plugged directly into a 2-pin polarized wall outlet. Do not use an extension cord. A heavy duty multi-tap power outlet strip may be used if it (and the wall outlet) can handle the current demanded by the RA-01 and all the other components connected to it.

Your RA-01 is configured at the factory for the proper AC line voltage in the country where you purchased it (either 115 volts AC or 230 volts AC with a line frequency of either 50 Hz or 60 Hz). The AC line configuration is noted on a decal on the back panel.

NOTE: *Should you move your RA-01 amplifier to another country, it is possible to reconfigure it for use on a different line voltage. Do not attempt to perform this conversion yourself. Opening the enclosure of the RA-01 exposes you to dangerous voltages. Consult a qualified service person or the Rotel factory service department for information.*

If you are going to be away from home for an extended period of time such as a month-long vacation, it is a sensible precaution to unplug your amplifier (as well as other audio and video components) while you are away.

Power Switch 1 and Power Indicator 2

Press the front panel Power Switch button, to turn the RA-01 on. The Power Indicator light is illuminated when the RA-01 is on. Press Power Switch button again to turn the RA-01 off.

See the "12V Trigger Outlet" section for more information on ways you may be able to turn on and off other components in your system along with the RA-01.

Input Signal Connections

[See Figure 2.]

NOTE: *To prevent loud noises that neither you nor your speakers will appreciate, make sure the system is turned off when you make any signal connections.*

Phono Input 13 and Ground Connection 12

Plug the cable from the turntable into the appropriate left and right phono inputs. If the turntable has a "ground" wire connect it to the screw terminal to the left of the Phono inputs. It will help prevent hum and noise.

Line Level Inputs 14

The CD, Tuner, and Aux inputs of the RA-01 are "line level" inputs. These are for connecting components such as CD players, Hi Fi or NICAM Stereo video cassette recorders, tuners, Laser Disc players or the analog output from a CD ROM drive.

The Left and Right channels are labeled and should be connected to the corresponding channels of the source component. The Left connectors are white, the Right connectors are red. Use high quality RCA cables for connecting input source components to the RA-01. Ask your authorized Rotel dealer for advice about cables.

Recorder Connections 15

[See Figure 2.]

The Tape inputs and outputs can be connected to any record/playback device that accepts standard line level analog input and output signals. Typically that will be a conventional tape recorder.

When connecting a recorder to the RA-01 remember that the outputs of the recorder must be connected to the tape inputs of the RA-01. Similarly the tape outputs of the RA-01 must be connected to the inputs of the recorder. As with other sources be sure to connect the Left and Right channels of each device to the proper channels on the associated components. Use high quality connecting cables to prevent loss of sound quality.

NOTE: *The Tape Outputs are not affected by the Volume, Balance or Tone controls. They receive a fixed level signal.*

Preamp Outputs 16

The RA-01 has a set of preamp outputs. The signal from the source selected with the Function Selector is always available from these outputs. Typically these outputs are used to provide a signal to another integrated amplifier or power amplifier, which is used to drive remote speakers

NOTE: *Changes to the settings of the Volume, Balance or Tone controls affect the signal from the Preamp Outputs.*

Speaker Outputs **17 18**

Speaker Selector Switch **4**

[See Figure 2.]

The RA-01 has two sets of speaker outputs, labeled "A" **17** and "B" **18**. The speaker outputs are controlled by the switch **4** on the front panel.

Speaker Selection

If only one set of speakers will be used at any given time, the speakers may have an impedance as low as 4 ohms. If there are times when both the A and B speakers will be used, all the speakers should have an impedance of 8 ohms or more. Speaker impedance ratings are less than precise. In practice, very few loudspeakers will present any problems for the RA-01. See your authorized Rotel dealer if you have any questions.

Speaker Wire Selection

Use insulated two-conductor stranded wire to connect the RA-01 to the speakers. The size and quality of the wire can have an audible effect on the performance of the system. Standard speaker wire will work, but can result in lower output or diminished bass response, particularly over longer distances. In general, heavier wire will improve the sound. For best performance, you may want to consider special high-quality speaker cables. Your authorized Rotel dealer can help in the selection of cables for your system.

Polarity and Phasing

The polarity – the positive/negative orientation of the connections – for every speaker and amplifier connection must be consistent so all the speakers will be in phase. If the polarity of one connection is reversed, bass output will be very weak and stereo imaging degraded. All wire is marked so you can identify the two conductors. There may be ribs or a stripe on the insulation of one conductor. The wire may have clear insulation with different color conductors (copper and silver). There may be polarity indications printed on the insulation. Identify the positive and negative conductors and be consistent with every speaker and amplifier connection.

Speaker Connection

Turn off all the components in the system before connecting the speakers. The RA-01 has color-coded binding post type speaker connectors on the back panel (except in European Community countries where their use is not permitted). These connectors accept bare wire, connector lugs, or dual banana type connectors.

Route the wire from the RA-01 to the speakers. Give yourself enough slack so you can move the components to allow access to the speaker connectors. If you are using dual banana plugs, connect them to the wires and then plug into the backs of the binding posts. The thumbscrews of the binding posts should be screwed in all the way (clockwise).

If you are using terminal lugs, connect them to the wires. If you are attaching bare wires directly to the binding posts, separate the wire conductors and strip the insulation from the end of each conductor. Be careful not to cut into the wire strands. Unscrew (turn counterclockwise) the binding post thumbscrews. Place the connector lug or wire around the binding post shaft. Turn the thumbscrews clockwise to clamp the connector lug or wire firmly in place.

NOTE: Be sure there are no loose wire strands that could touch adjacent wires or connectors.

Phones Output **3**

The Phones output allows you to connect headphones for private listening. This output accommodates standard stereo phone (1/4") plugs. If your headphones have another type of plug, such as a 1/8" mini-plug, you will need an adapter plug. Contact your authorized Rotel dealer, to get the correct adapter plug. Plugging in a set of headphones does not cut off the signal to the outputs. Use the Speaker Selector to turn off the speakers. The settings of the Function Selector and the Tape Monitor Control determines which source is heard. To listen to or monitor the component connected to the Tape input set the Monitor Control to the Tape position. For all other inputs leave the Monitor Control in the Source position and select the source you want to listen to with the front panel Function Selector.

NOTE: Because the sensitivity of speakers and headphones can vary widely, always reduce the volume level before connecting or disconnecting headphones.

Audio Controls

Volume Control **8**

Turn the controls clockwise to increase the volume, or counterclockwise to decrease the volume.

Balance Control **9**

The Balance Control adjusts the left-to-right balance of the sound output. Normally the control should be left in the center position. In some situations, typically when the main listening position is not ideally centered between the speakers, it may be necessary to adjust the control to achieve proper left-to-right balance. Turning the control counterclockwise shifts the sound balance to the left. Turning the control clockwise shifts the sound balance to the right.

Tone On/Off Switch **7**

When the Tone Switch is in the Off position the Bass and Treble Control (Tone Control) circuits are bypassed to ensure the purest possible sound. Leave the Tone Switch in the Off position unless you want to use the Tone Controls. Turn the Tone Switch to the On position if you want to adjust the Tone Controls.

Bass and Treble Controls **5 6**

When the Tone Switch is in the On position, turning the Bass and Treble Controls adjusts the tone balance of the sound. Turn the Controls clockwise to increase the bass or treble output. Turn the Controls counterclockwise to decrease the bass or treble output.

A properly set up high-performance audio system produces the most natural sound with little or no adjustment of the tone controls. Use these controls sparingly. Be particularly careful when turning the controls up (clockwise). This increases the power output in the bass or treble range, increasing the load on the amplifier and speakers.

Function Control **11**

The Function control selects the input signal source. The signal selected by the Function control is the one you hear, as long as the Monitor control is set to the Source position. (See the following section.) The signal selected by the Function control also goes to Preamp Outputs and the Tape Outputs. Turn the front panel Listening Selector to the source you want to listen to.

Monitor Control **10**

When the Monitor Control is set to the Source position, the signal you hear, and which goes to the Preamp Outputs, is selected by the Function Control. To listen to the signal from a recorder connected to the Tape Inputs, set the Monitor Control to the Tape position. When the Monitor Control is in the Tape position, the signal from the Tape Input also goes to the Preamp Outputs.

The signal that goes to the Tape Output is always selected by the Function Control. When you are recording with a unit that has monitoring capabilities, you can listen to the sound just recorded by setting the Monitor Control to the Tape position.

12 Volt Trigger Outlet **20**

Some audio components can be turned on automatically when they receive a 12V turn on "signal". The 12V Trigger Outputs of the RA-01 provide the required signal. Connect compatible components to the RA-01 with a conventional 3.5mm miniplug cable. When the RA-01 is turned off the trigger signal is interrupted, so the components controlled by it are turned off.

Troubleshooting

Most difficulties in audio systems are the result of incorrect connections, or improper control settings. If you encounter problems, isolate the area of the difficulty, check the control settings, determine the cause of the fault and make the necessary changes. If you are unable to get sound from the RA-01 refer to the suggestions for the following conditions:

Power Indicator Is Not Lit

The Power Indicator should be lit whenever the RA-01 is plugged into the wall power outlet and the Power Switch is pushed in. If it does not light, test the power outlet with another electrical device, such as a lamp. Be sure the power outlet being used is not controlled by a switch that has been turned off.

Fuse Replacement

If another electrical device works when plugged into the power outlet, but the Power Indicator of the RA-01 does not light when plugged into the same outlet and the Power Switch is pushed in, it indicates that the internal power fuse may have blown. If you believe this has happened, contact your authorized Rotel dealer to get the fuse replaced.

No Sound

Check the signal source to see if it is functioning properly. Make sure the cables from the signal source to the RA-01 inputs are connected properly. Be sure the Listening Selector is set to the proper input. Check the wiring between the RA-01 and the speakers.

Specifications

Continuous Power Output (20-20 kHz, < 0.03%, 8 ohms)	40 watts/ch
Total Harmonic Distortion (20Hz-20kHz)	< 0.03% at rated power, 1/2 power or 1 watt
Intermodulation Distortion (60 Hz : 7 kHz, 4:1)	< 0.03% at rated power, 1/2 power or 1 watt
Frequency Response Phono Input Line Level Inputs	20Hz-15kHz, ±0.3dB 10Hz-40kHz, ±1dB
Damping Factor (20-20,000 Hz, 8 ohms)	180
Input Sensitivity / Impedance Phono Input Line Level Inputs	2.5mV / 47 kOhms 150 mV / 24 kOhms
Input Overload Phono Input Line Level Inputs	180mV 5V
Premp Output / Impedance	1V / 470 Ohms
Tone Controls - Bass / Treble	±6 dB at 100Hz / 10kHz
Signal to Noise Ratio (IHF "A" weighted) Phono Input Line Level Inputs	80 dB 100 dB
Power Requirements USA Version European Version	115 Volts, 60 Hz 230 Volts, 50 Hz
Power Consumption	220 Watts
Dimensions (W x H x D)	435 x 72 x 342 mm 17 ¹ / ₈ x 2 ⁷ / ₈ x 13 ¹ / ₂ "
Panel Height	60 mm / 2 ³ / ₈ "
Weight (net)	5.9 kg, 13 lbs.

All specifications are accurate at the time of printing. Rotel reserves the right to make improvements without notice.

ATTENTION : POUR RÉDUIRE LE RISQUE D'ÉLECTROCUTION, NE PAS RETIRER LE CAPOT. IL N'Y A À L'INTÉRIEUR AUCUNE PIÈCE SUSCEPTIBLE D'ÊTRE MODIFIÉE PAR L'UTILISATEUR. EN CAS DE PROBLÈME, ADRESSEZ-VOUS À UN RÉPARATEUR AGRÉÉ.

Le point d'exclamation dans un triangle équilatéral indique à l'utilisateur la présence de conseils et d'informations importantes dans le manuel d'utilisation accompagnant l'appareil. Leur lecture est impérative.

ATTENTION : Il n'y a à l'intérieur aucune pièce susceptible d'être modifiée par l'utilisateur. Adressez-vous impérativement à une personne qualifiée.

ATTENTION : Prenez garde à ce qu'aucun objet ou liquide ne tombe à l'intérieur de l'appareil par ses orifices de ventilation ; Si l'appareil est exposé à l'humidité ou si un objet tombe à l'intérieur, couper immédiatement l'alimentation secteur de tous les appareils. Débrancher l'appareil des autres maillons, et adressez-vous immédiatement et uniquement à une personne qualifiée et agréée.

Tous les conseils de sécurité et d'installation doivent être lus avant de faire fonctionner l'appareil. Conservez soigneusement ce livret - Vous devez pouvoir le consulter à nouveau pour de futures références.

Tous les conseils de sécurité doivent être soigneusement respectés. Suivez les instructions - Respectez les procédures d'installation et de fonctionnement indiquées dans ce manuel.

L'appareil doit être nettoyé uniquement selon les recommandations de son constructeur, c'est-à-dire avec un chiffon sec ou un petit aspirateur.

L'appareil doit être placé de telle manière que sa propre ventilation puisse fonctionner. Laissez au moins 10 cm autour de toutes ses parois ; il ne doit pas être posé sur un fauteuil, un canapé, une couverture ou toute autre surface susceptible de boucher ses ouïes d'aération ; ou placé dans un meuble empêchant la bonne circulation d'air autour des orifices d'aération.

Cet appareil doit être placé loin de toute source de chaleur, tels que radiateurs, chaudières, bouches de chaleur ou d'autres appareils (y compris amplificateurs de puissance) produisant de la chaleur.

Cet appareil doit être branché sur une prise d'alimentation secteur, d'une tension et d'un type conformes à ceux qui sont indiqués sur la face arrière de l'appareil.

Brancher l'appareil uniquement grâce au cordon secteur fourni, ou à un modèle équivalent. Ne pas tenter de modifier ou changer la prise. Notamment, ne pas tenter de supprimer la prise de terre si celle-ci est présente. Ne pas utiliser de cordon rallonge.

Prendre garde à ce que ce cordon d'alimentation ne soit pas pincé, écrasé ou détérioré sur tout son trajet, à ce qu'il ne soit pas mis en contact avec une source de chaleur. Vérifier soigneusement la bonne qualité des contacts, à l'arrière de l'appareil comme dans la prise murale.



Si l'appareil ne doit pas être utilisé pendant une longue période, la prise secteur sera débranchée.

L'appareil doit être immédiatement éteint, débranché puis éventuellement retourné au service après-vente agréé dans les cas suivants :

- Le cordon secteur ou la prise ont été endommagés.
- Un objet est tombé, ou du liquide a coulé à l'intérieur de l'appareil.
- L'appareil a été exposé à la pluie.
- L'appareil ne fonctionne pas normalement, ou ses performances sont anormalement limitées.
- L'appareil est tombé, ou son coffret est endommagé.

Placer l'appareil sur une surface plane, solide et rigide. Ne jamais placer l'appareil sur une surface ou un support mobile pouvant basculer.

Sommaire

Figure 1: Commandes et branchements	3
Figure 2: Signaux d'entrée et branchements enceintes acoustiques	4
Sommaire	9
Au sujet de Rotel	10
Pour démarrer	10
Quelques précautions	10
Disposition	10
Câbles	10
Alimentation secteur et mise sous tension	11
Prise d'alimentation secteur 19	11
Indicateur de mise sous tension 1 et interrupteur marche/mise en veille 2	11
Branchement des signaux en entrée	11
Entrée Phono 13 et prise de masse 12	11
Entrées niveau Ligne 14	11
Branchements de l'enregistreur 15	11
Sorties préamplificateur 16	11
Sorties enceintes acoustiques 17 18 et sélecteur des enceintes 4	11
Choix des enceintes	12
Choix de la section du câble d'enceintes	12
Polarité et mise en phase	12
Branchement des enceintes	12
Prise casque 3	12
Commandes audio	12
Contrôle de volume 8	12
Contrôle de balance 9	12
Mise en/hors service des correcteurs de timbre 7	12
Correcteurs de timbre grave 5 et aigu 6	12
Sélecteur de source en écoute Fonction 11	13
Contrôle Monitor 10	13
Prise de commutation TRIGGER 12V 20 ..	13
Problèmes de fonctionnement	13
L'indicateur Power de mise sous tension ne s'allume pas	13
Remplacement du fusible	13
Pas de son	13
Spécifications	13

Au sujet de Rotel

C'est une famille de passionnés de musique qui a fondé Rotel, il y a maintenant plus de 40 ans. Pendant toutes ces années, leur passion ne s'est jamais éteinte et tous les membres de la famille se sont toujours battus pour fabriquer des appareils présentant un exceptionnel rapport musicalité-prix, suivis en cela par tous les employés.

Les ingénieurs travaillent toujours en équipe réduite, écoutant et peaufinant soigneusement chaque appareil pour qu'il corresponde parfaitement à leurs standards musicaux. Ils sont libres de choisir n'importe quels composants dans le monde entier, uniquement en fonction de leur qualité. C'est ainsi que vous trouvez dans les appareils Rotel des condensateurs britanniques ou allemands, des transistors japonais ou américains, tandis que tous les transformateurs toriques sont directement fabriqués dans une usine Rotel.

L'excellente réputation musicale des appareils Rotel a été saluée par la plupart des magazines spécialisés ; ils ont reçu d'innombrables récompenses, et sont choisis par de nombreux journalistes critiques du monde entier, parmi les plus célèbres, ceux qui écoutent de la musique quotidiennement. Leurs commentaires restent immuables : Rotel propose toujours des maillons à la fois musicaux, fiables et abordables.

Mais plus que tout, Rotel vous remercie pour l'achat de cet appareil, et souhaite qu'il vous apporte de nombreuses heures de plaisir musical.

Pour démarrer

Merci d'avoir acheté cet amplificateur stéréo intégré Rotel RA-01. Il a été spécialement conçu pour vous fournir des heures et des heures de plaisir musical en tant que cœur d'une chaîne haute-fidélité de très haute qualité.

Le RA-01 est un amplificateur intégré très complet, de très hautes performances. Les différents aspects de sa conception ont été réalisés de manière à reproduire toute la dynamique comme les plus subtiles nuances de la musique. Le RA-01 est entre autres équipé d'une alimentation entièrement régulée, utilisant un transformateur torique spécialement fabriqué pour Rotel et des condensateurs "slit-foil" également uniques en leur genre. La faible impédance de cette alimentation assure une énorme réserve de puissance, capable de faire face aux exigences les plus élevées. Cette conception est évidemment plus coûteuse, mais elle est essentielle pour le respect de la musique.

Les circuits imprimés possèdent des pistes parfaitement symétriques. Elles préservent ainsi parfaitement l'intégrité "temporelle" de la musique. Les composants utilisés sont par exemple des résistances à film métallique et des condensateurs au polystyrène ou polypropylène sur tous les points critiques du trajet du signal. Les plus infimes détails ont été analysés avec soin, afin que rien ne vienne détruire l'exceptionnelle musicalité de cet amplificateur.

De plus, le RA-01 possède des sélecteurs de source en lecture et en enregistrement séparés, ce qui vous permet d'écouter une source pendant que vous en enregistrez une autre.

Les principales fonctions du RA-01 sont faciles à comprendre et à utiliser. Elles ne diffèrent en rien de celles d'une chaîne haute-fidélité traditionnelle. Branchez simplement les sources et écoutez !

Quelques précautions

ATTENTION : afin d'éviter tout dommage à l'appareil, éteignez TOUS les maillons du système avant de procéder au moindre branchement d'un câble. Ne remettez pas les appareils sous tension sans avoir vérifié que tous les branchements ont été correctement effectués. Vérifiez notamment les câbles des enceintes acoustiques : il ne doit pas y avoir de brins susceptibles de créer des courts-circuits d'une prise à l'autre, ou sur le boîtier de l'amplificateur.

Veillez lire ce manuel d'utilisation très soigneusement. Il vous donne toutes les informations nécessaires aux branchements et fonctionnement du RA-01. Si vous vous posez encore des questions, n'hésitez pas à contacter immédiatement votre revendeur agréé Rotel.

Conservez soigneusement l'emballage du RA-01. Il constitue le meilleur et le plus sûr moyen pour le transport futur de votre nouvel appareil, afin d'éviter tout dommage sérieux à celui-ci.

Remplissez et renvoyez la carte de garantie. Conservez la facture de votre appareil : c'est la meilleure preuve de votre propriété et de la date réelle d'achat. Elle sera nécessaire pour mettre éventuellement en jeu la garantie.

Disposition

Comme tous les appareils traitant des signaux relativement faibles, le RA-01 est sensible à son environnement immédiat. Évitez de le placer sur d'autres maillons. Éloignez les câbles de modulation sonore des câbles d'alimentation secteur. Vous éviterez ainsi l'apparition éventuelle de ronflements parasites.

Le RA-01 dégage un peu de chaleur pendant son fonctionnement, ce qui est normal. Ne posez donc pas d'autres maillons (ou objets) sur lui. Ne bloquez pas ses ouvertures supérieures de refroidissement. Il doit y avoir environ 10 cm de dégagement au-dessus de lui pour permettre le bon fonctionnement de sa ventilation.

N'oubliez pas non plus, lors de son installation, qu'il s'agit d'un appareil relativement lourd. L'étagère ou le support utilisés doivent être suffisamment robustes et rigides : dans ce domaine, le sens commun s'applique. Nous vous recommandons d'ailleurs, à ce sujet, d'acquiescer un de ces meubles spécialement conçus pour les chaînes haute-fidélité. Votre revendeur vous donnera toutes les informations nécessaires à ce sujet.

Câbles

Vérifiez que les câbles d'alimentation secteur d'une part, les câbles de modulation analogique d'autre part, et enfin les câbles transportant un signal numérique soient bien éloignés les uns des autres. Cela pour éviter toute interférence susceptible de générer des bruits parasites. N'utiliser que des câbles de très bonne qualité, soigneusement blindés. Votre revendeur agréé Rotel est en mesure de vous donner tous les conseils nécessaires quant au choix de câbles de bonne qualité.

Alimentation secteur et mise sous tension

Prise d'alimentation secteur 19

Compte tenu de la puissance relativement élevée qu'il peut délivrer, l'amplificateur RA-01 peut demander un courant très élevé et ainsi être particulièrement exigeant vis-à-vis de votre installation électrique. C'est pourquoi nous vous conseillons très vivement de ne le brancher que directement, dans une prise murale munie de deux broches. N'utilisez pas de câble rallonge. Une prise multiple pourra éventuellement être utilisée, mais seulement si elle possède la capacité en courant (ampères) demandée par le RA-01 et les autres appareils branchés dessus.

Votre RA-01 a été configuré en usine pour la tension d'alimentation secteur du pays pour lequel il est prévu (115 ou 230 volts, fréquence 50 ou 60 Hz). Cette valeur est indiquée sur une étiquette, en face arrière.

Note : *si vous devez déménager dans un autre pays, il est possible de modifier l'alimentation du RA-01. Ne tentez pas d'effectuer cette transformation vous-même. Elle nécessite une intervention interne présentant des risques d'électrocution si certaines précautions ne sont pas respectées. Consultez directement un revendeur agréé Rotel pour connaître la procédure à suivre.*

Si vous vous absentez pendant une longue période (un mois ou plus), nous vous conseillons de débrancher la prise murale d'alimentation.

Indicateur de mise sous tension 1 et interrupteur marche/mise en veille 2

Pressez la touche repérée "Power" pour mettre le RA-01 en service. La diode correspondante s'allume simultanément. Une seconde pression sur cette même touche éteint le RA-01.

Voir le paragraphe "Prise de commutation TRIGGER 12 V" pour de plus amples informations sur la manière d'éteindre ou d'allumer certains maillons utilisés en association avec le RA-01 directement à partir de celui-ci.

Branchement des signaux en entrée

[Voir Figure 2]

Note : *Pour éviter tout bruit parasite susceptible d'endommager les enceintes acoustiques, assurez-vous que tout le système est éteint avant d'effectuer le moindre branchement.*

Entrée Phono 13 et prise de masse 12

Branchez le câble en provenance de la platine tourne-disque dans les prises appropriées gauche et droite repérées Phono. Si la platine TD possède un câble de masse, branchez celui-ci dans la borne à vis spéciale à gauche des prises Phono. Cela élimine un éventuel ronflement.

Entrées niveau Ligne 14

Les entrées repérées CD, DVD/Video, Tuner et Aux du RA-01 sont des entrées « Niveau Ligne ». Elles vous permettent de brancher des sources comme les lecteurs de CD, les magnétoscopes stéréo, les tuners, les parties sonores des lecteurs LaserDisc ou de DVD, ou même la sortie analogique d'un lecteur de CD-Rom.

Les canaux gauche et droit sont clairement repérés et doivent être branchés sur les canaux correspondants de chaque source. Les prises gauches sont de couleur blanche, les prises droites sont de couleur rouge. N'utilisez que des câbles d'excellente qualité pour relier les sources au RA-01. Contactez à ce sujet votre revendeur agréé Rotel.

Branchements de l'enregistreur 15

[Voir Figure 2]

Les entrées et sorties repérées Tape peuvent être branchées sur n'importe quel enregistreur acceptant et produisant des signaux audio analogiques de niveau Ligne. Ce sera un magnétophone à bandes, ou un magnétocassette, ou un DAT ou MiniDisc utilisés sur leurs entrées et sorties analogiques.

Souvenez-vous que les sorties du RA-01 doivent être branchées sur les entrées enregistrement de l'enregistreur ; inversement, les entrées du RA-01 seront reliées sur les sorties lecture de l'enregistreur. Comme pour les autres maillons, respectez les canaux gauche et droit et n'utilisez que des câbles de très haute qualité.

NOTE: *Les sorties repérées Tape ne sont pas affectées par les réglages de volume, balance ou timbres. Elles reçoivent toujours un signal fixe.*

Sorties préamplificateur 16

Le RA-01 possède un jeu de prises de sortie de sa section préamplificatrice. Le signal de la source choisie via le sélecteur d'écoute "Function" est envoyé en permanence sur cette paire de prises. Il peut donc être utilisé par un autre amplificateur intégré ou un amplificateur de puissance, par exemple pour alimenter une seconde paire d'enceintes acoustiques.

NOTE : *Des modifications des réglages de volume, balance ou timbres affectent les sorties préamplificatrices repérées "Preamp Outputs".*

Sorties enceintes acoustiques 17 18 et sélecteur des enceintes 4

[Voir Figure 2]

Le RA-01 possède deux jeux de prises pour deux paires d'enceintes acoustiques, l'un repéré « A » 17 et l'autre repéré « B » 18. Le choix de ces deux jeux de sorties est contrôlé par le sélecteur d'enceintes acoustiques 4 en face avant.

Choix des enceintes

Si une seule paire d'enceintes acoustiques est branchée sur le RA-01, ces enceintes peuvent chacune avoir une impédance minimum de 4 ohms. Si deux paires sont branchées, à la fois sur les prises A et B, chaque enceinte ne doit pas présenter une impédance inférieure à 8 ohms. L'impédance des enceintes est souvent indiquée de manière relativement peu précise. En pratique, seules quelques rares modèles d'enceintes risquent de présenter des problèmes pour le RA-01. Consultez votre revendeur agréé Rotel pour de plus amples informations à ce sujet.

Choix de la section du câble d'enceintes

Utilisez du câble deux conducteurs isolé pour relier le RA-01 aux enceintes. La taille et la qualité du câble peuvent avoir de l'influence sur les performances musicales. Un câble standard fonctionnera, mais il peut présenter des limitations quant à la dynamique réellement reproduite ou à la qualité du grave, surtout sur de grandes longueurs. En général, un câble de plus fort diamètre entraîne une amélioration du son. Pour des performances optimales, penchez-vous sur l'offre en terme de câbles de très haute qualité. Votre revendeur agréé Rotel est en mesure de vous renseigner efficacement à ce sujet.

Polarité et mise en phase

La polarité – autrement dit l'orientation correcte du “ + ” et du “ - ” pour chaque branchement entre le RA-01 et les enceintes acoustiques doit être respectée pour toutes les enceintes, afin que celles-ci soient toutes en phase. Si la phase d'une seule enceinte est inversée, il en résultera un manque de grave sensible et une dégradation importante de l'image stéréophonique. Tous les câbles sont repérés afin que vous puissiez identifier clairement leurs deux conducteurs. Soit les câbles sont différents (un cuivré, un argenté), soit la gaine est de couleur différente (filet de couleur), soit elle est gravée. Assurez-vous que vous repérez bien le conducteur repéré pour toutes les liaisons, et que vous respectez parfaitement la phase sur toutes les enceintes acoustiques, par rapport à l'entrée.

Branchement des enceintes

Éteignez tous les appareils avant de brancher les enceintes acoustiques. Le RA-01 possède des prises rouges et noires repérées qui acceptent indifféremment du câble nu, des cosses ou fourches spéciales, ou encore des fiches banane (sauf en Europe, où les nouvelles normes CE l'interdisent).

Tirez le câble depuis le RA-01 vers les enceintes acoustiques. Prévoyez suffisamment de longueur pour qu'il ne subisse aucune contrainte sur toute sa longueur et que vous puissiez déplacer les éléments sans qu'il soit tendu (accès aux prises de l'amplificateur).

Si vous utilisez des fourches, insérez-les à fond dans le logement offert par les prises et serrez fermement. Si vous utilisez du fil nu, dénudez tous les câbles sur une longueur suffisante, et torsadez les brins de chaque conducteur de telle manière qu'aucun brin ne puisse venir en contact avec un autre d'un autre conducteur (court-circuit). Suivant la taille des torsades, insérez-les dans les trous centraux des prises ou entourez-le autour des axes de celles-ci (sens des aiguilles d'une montre). Dans tous les cas, serrez fermement à la main les bornes vissantes.

NOTE : Vérifiez bien qu'il n'y ait aucun brin qui vienne en contact avec des brins ou la prise adjacente.

Prise casque 3

Cette prise est de type Jack 6,35 mm stéréo. Utilisez un adaptateur pour des prises jack plus petites 3,5 mm. Utilisez le sélecteur des enceintes en face avant pour couper celles-ci lorsque vous désirez écouter uniquement au casque. Les réglages du sélecteur « Fonction » et la commande du magnétophone Tape Monitor déterminent la source réellement écoutée. Pour écouter le maillon branché sur l'entrée repérée Tape (magnétophone), placez la commande Monitor sur la position « Tape ». Pour toutes les autres entrées, laissez cette commande Monitor sur sa position « Source », pour écouter la source sélectionnée sur le sélecteur Fonction de la face avant.

Note : compte tenu des grandes différences de sensibilité qui peuvent exister entre les casques et les enceintes acoustiques, toujours baisser le volume avant de brancher ou débrancher un casque dans cette prise.

Commandes audio

Contrôle de volume 8

Le bouton de volume 8 VOLUME permet d'augmenter ou de diminuer le niveau sonore. La rotation dans le sens des aiguilles d'une montre augmente le volume, et la rotation dans le sens inverse des aiguilles d'une montre le diminue.

Contrôle de balance 9

Ce contrôle permet d'ajuster la balance gauche-droite du signal sonore. Normalement, cette commande doit se trouver en position centrale, à zéro. Dans certaines situations, généralement lorsque la position d'écoute n'est pas parfaitement centrée entre les deux enceintes acoustiques, il peut être nécessaire de modifier plus ou moins cet équilibre central. Une rotation dans le sens contraire des aiguilles d'une montre privilégie le canal de gauche. Dans le sens des aiguilles d'une montre, le niveau augmente sur le canal de droite.

Mise en/hors service des correcteurs de timbre 7

Lorsque la touche de mise en/hors service des correcteurs de timbre est pressée, les correcteurs grave et aigu sont tout simplement mis hors circuit afin de conserver la qualité de son la plus pure possible. Nous vous conseillons, en utilisation normale, de laisser toujours les correcteurs de timbre hors circuit.

Correcteurs de timbre grave 5 et aigu 6

Lorsque le sélecteur de timbres est en position “ On ”, tourner les boutons de grave (Bass) et d'aigu (Treble) permet de modifier l'équilibre tonal. Une augmentation du grave et/ou de l'aigu s'obtient en tournant le bouton dans le sens des aiguilles d'une montre, et inversement pour diminuer leur niveau respectif.

Un système de haute qualité, correctement réglé et installé, ne nécessite pas normalement d'avoir recours à une correction des timbres dans le grave ou dans l'aigu. Utilisez ces correcteurs avec parcimonie. Soyez particulièrement vigilants si vous utilisez une correction maximum (à fond dans le sens des aiguilles d'une montre). Dans ce cas, vous augmentez très nettement la demande en puissance pour l'amplificateur, ce qui peut entraîner un fonctionnement à la limite de leurs capacités pour l'amplificateur comme pour les enceintes acoustiques.

Sélecteur de source en écoute Function **II**

Ce sélecteur repéré " Function " permet de choisir la source que l'on désire écouter, et celle qui est également envoyée sur les sorties préampli.

Contrôle Monitor **IO**

Lorsque cette commande est laissée sur sa position repérée « Source », le signal que vous entendez est celui sélectionné sur la commande Fonction (Function). Pour écouter le signal en provenance d'un magnétophone branché sur les prises « Tape », basculez le contrôle Monitor sur sa position « Tape ». Ce signal est alors également envoyé sur les sorties Préamplificateur (Preamp Outputs).

Le signal envoyé sur les prises repérées « Tape Output » est toujours sélectionné par la commande Fonction. Lorsque vous enregistrez avec un magnétophone disposant de la fonction Monitoring (écoute directe pendant l'enregistrement), vous pouvez écouter le son qui vient tout juste d'être enregistré en plaçant le contrôle Monitor sur cette position « Tape ».

Prise de commutation TRIGGER 12 V **20**

Plusieurs \maillons audio peuvent être mis sous tension effective par l'intermédiaire d'une tension de commutation 12 volts. Lorsque le RA-01 est activé, une tension de 12 volts est présente sur cette prise et peut donc déclencher la mise sous tension d'un tel appareil. Lorsque le RA-01 est mis en mode de veille Standby, la tension 12 volts disparaît, et le maillon ainsi commandé s'éteint également.

Problèmes de fonctionnement

La majorité des problèmes survenant dans une installation haute-fidélité est due à de mauvais branchements, ou à une mauvaise utilisation d'un ou de plusieurs maillons. Si le problème est bien lié au RA-01, il s'agit très certainement d'un mauvais branchement. Voici quelques vérifications de base qui résolvent la majorité des problèmes rencontrés :

L'indicateur Power de mise sous tension ne s'allume pas

L'amplificateur RA-01 n'est pas alimenté par le secteur. Vérifiez la position de l'interrupteur de mise sous tension POWER (position ON). Vérifiez la qualité des contacts du cordon secteur, et l'alimentation réelle de la prise murale.

Spécifications

Puissance de sortie continue (20 – 20 000 Hz, DHT < 0,03 %, 8 ohms)	40 watts/canal
Distorsion harmonique totale (20 – 20 000 Hz)	< 0,03 %, puissance maxi, 1/2 puissance ou 1 watt
Distorsion d'intermodulation (60 Hz : 7 kHz, 4 : 1)	< 0,03 %, puissance maxi, 1/2 puissance ou 1 watt
Réponse en fréquence	
Entrée Phono	20 Hz – 15 kHz ± 0,3 dB
Entrées niveau Ligne	10 Hz – 40 kHz ± 1 dB
Facteur d'amortissement (20 – 20 000 Hz, 8 ohms)	180
Sensibilité/impédance d'entrée	
Entrée Phono	2,5 mV/47 kilohms
Entrées niveau Ligne	150 mV/24 kilohms
Saturation en entrée	
Entrée Phono	180 mV
Entrées niveau Ligne	5 volts
Sortie préamplificateur/Impédance	1 V/470 ohms
Correcteurs grave-aigu	± 6 dB à 100 Hz/10 kHz
Rapport signal/bruit (IHF pondéré A)	
Entrée Phono	80 dB
Entrées niveau Ligne	100 dB
Alimentation	115 volts, 60 Hz (USA) ou 230 volts, 50 Hz (Europe)
Consommation	220 watts maximum
Dimensions (L x H x P)	435 x 72 x 342 mm
Hauteur de la façade (pour montage en rack)	60 mm
Poids (net)	5,9 kg

Toutes les spécifications sont certifiées exactes au moment de l'impression.

Rotel se réserve le droit d'apporter des améliorations sans préavis.

Remplacement du fusible

Si un autre appareil électrique fonctionne en étant branché dans la même prise que le RA-01, mais que la diode Standby de ce dernier ne s'allume pas, le fusible de protection interne doit être remplacé. Contactez votre revendeur agréé Rotel qui remplacera immédiatement ce fusible.

Pas de son

Vérifiez qu'un signal sort bien de la source sélectionnée. Vérifiez le bon branchement des câbles entre la source et l'amplificateur. Vérifiez que le sélecteur Fonction est bien positionné sur la source voulue. Vérifiez aussi les câbles entre l'amplificateur et les enceintes acoustiques.

SICHERHEITS- UND WARNHINWEISE

Bitte lesen Sie sich die Bedienungsanleitung vor Gebrauch des Gerätes genau durch. Sie enthält wichtige Sicherheitsvorschriften, die unbedingt zu beachten sind! Bewahren Sie die Bedienungsanleitung so auf, dass sie jederzeit zugänglich ist.

Außer den in der Bedienungsanleitung beschriebenen Handgriffen sollten vom Bediener keine Arbeiten am Gerät vorgenommen werden. Das Gerät ist ausschließlich von einem qualifizierten Fachmann zu öffnen und zu reparieren.

Dieses Gerät darf nur in trockenen Räumen betrieben werden. Um die Gefahr von Feuer oder eines elektrischen Schlags auszuschließen, dürfen keine Flüssigkeiten oder Fremdkörper in das Gerät gelangen. Sollte dieser Fall trotzdem einmal eintreten, trennen Sie das Gerät sofort vom Netz ab. Lassen Sie es von einem Fachmann prüfen und die notwendigen Reparaturarbeiten durchführen.

Befolgen Sie alle Warn- und Sicherheitshinweise in der Bedienungsanleitung und auf dem Gerät.

Dieses Gerät sollte, wie andere Elektrogeräte auch, nicht unbeaufsichtigt betrieben werden.

Ist das Gerät z.B. während des Transports über längere Zeit Kälte ausgesetzt worden, so warten Sie mit der Inbetriebnahme, bis es sich auf Raumtemperatur erwärmt hat und das Kondenswasser verdunstet ist.

Bitte stellen Sie sicher, dass um das Gerät ein Freiraum von 10 cm gewährleistet ist, so dass die Luft ungehindert zirkulieren kann. Stellen Sie das Gerät weder auf ein Bett, Sofa, Teppich oder ähnliche Oberflächen, um die Ventilationsöffnungen nicht zu verdecken. Das Gerät sollte nur dann in einem Regal oder in einem Schrank untergebracht werden, wenn eine ausreichende Luftzirkulation gewährleistet ist.

Stellen Sie das Gerät nicht in die Nähe von Wärmequellen (Heizkörper, Wärmespeicher, Öfen oder sonstige wärmeerzeugende Geräte).

Bevor Sie das Gerät in Betrieb nehmen, prüfen Sie, ob die Betriebsspannung mit der örtlichen Netzspannung übereinstimmt. Die Betriebsspannung ist an der Rückseite des Gerätes angegeben.

Schließen Sie das Gerät nur mit dem dazugehörigen zweipoligen Netzkabel an die Wandsteckdose an. Modifizieren Sie das Netzkabel auf keinen Fall. Versuchen Sie nicht, die Erdungs- und/oder Polarisationsvorschriften zu umgehen. Das Netzkabel sollte an eine zweipolige Wandsteckdose angeschlossen werden. Verwenden Sie keine Verlängerungskabel.

Netzkabel sind so zu verlegen, dass sie nicht beschädigt werden können (z.B. durch Trittbelastung, Möbelstücke oder Erwärmung). Besondere Vorsicht ist dabei an den Steckern, Verteilern und den Anschlussstellen des Gerätes geboten.

Sollten Sie das Gerät für eine längere Zeit nicht in Betrieb nehmen, ziehen Sie den Netzstecker aus der Steckdose.

Schalten Sie das Gerät sofort aus und ziehen Sie geschultes Fachpersonal zu Rate, wenn:

- das Netzkabel oder der Stecker beschädigt sind,
- Gegenstände bzw. Flüssigkeit in das Gerät gelangt sind,
- das Gerät Regen ausgesetzt war,
- das Gerät nicht ordnungsgemäß funktioniert bzw. eine deutliche Leistungsminderung aufweist,
- das Gerät hingefallen ist bzw. beschädigt wurde.

Ziehen Sie den Netzstecker aus der Steckdose, bevor Sie mit der Reinigung des Gerätes beginnen. Reinigen Sie die Oberflächen des Gerätes nur mit einem weichen, trockenen Tuch. Verwenden Sie keine scharfen Reinigungs- oder Lösungsmittel. Vor der erneuten Inbetriebnahme des Gerätes ist sicherzustellen, dass an den Anschlussstellen keine Kurzschlüsse bestehen und alle Anschlüsse ordnungsgemäß sind.

Stellen Sie das Gerät waagrecht auf eine feste, ebene Unterlage. Es sollte weder auf beweglichen Unterlagen noch Wagen oder fahrbaren Unterstellen transportiert werden.

**Inhaltsverzeichnis**

Abb. 1: Bedienelemente und Anschlüsse	3
Abb. 2: Anschlussdiagramm	4
Die Firma Rotel	15
Zu dieser Anleitung	15
Einige Vorsichtsmaßnahmen	15
Aufstellung des Gerätes	15
Kabel	15
Netzspannung und Bedienung	15
Netzeingang 19	15
Betriebsanzeige 2 und Power-Taste 1	16
Eingangssignalanschlüsse	16
Phono-Eingang 13 und	
Erdungsanschluss 12	16
Hochpegelgänge 14	16
Tape-Anschlüsse 15	16
Preamp-Ausgänge 16	16
Lautsprecherausgänge 17 18	
Lautsprecherwahlschalter 4	16
Auswahl der Lautsprecher	16
Auswahl der Lautsprecherkabel	17
Polarität und Phasenabgleich	17
Anschließen der Lautsprecher	17
Kopfhörerbuchse 3	17
Bedienelemente	17
Lautstärkeregelung 8	17
Balance-Regler 9	17
Klangregelung 7	17
Tiefen- und Höhenregler 5 6	17
Function-Wahlschalter 11	18
Monitor-Wahlschalter 10	18
12V TRIGGER OUT-Anschlüsse 20	18
Bei Störungen	18
Die Betriebsanzeige leuchtet nicht	18
Austauschen der Sicherung	18
Kein Ton	18
Technische Daten	18

Die Firma Rotel

Die Firma Rotel wurde vor 40 Jahren von einer Familie gegründet, deren Interesse an Musik so groß war, dass sie beschloss, hochwertigste HiFi-Produkte herzustellen und Musikliebhabern ungeachtet ihres Geldbeutels einen außergewöhnlichen Wert zukommen zu lassen. Ein Ziel, das von allen Rotel-Angestellten verfolgt wird.

Die Ingenieure arbeiten als Team eng zusammen. Sie hören sich jedes Gerät an und optimieren es klanglich, bis es den gewünschten Musikstandards entspricht. Die eingesetzten Bauteile stammen aus verschiedenen Ländern und wurden ausgewählt, um das jeweilige Produkt zu optimieren. So finden Sie Kondensatoren aus Großbritannien und Deutschland, Halbleiter aus Japan oder den USA und direkt bei Rotel gefertigte Ringkerntransformatoren.

Rotels guter Ruf wird durch hunderte von Testerfolgen von den angesehensten Testern der Branche, die jeden Tag Musik hören, untermauert. Die Ergebnisse beweisen, dass das Unternehmen sein Ziel konsequent verfolgt hat, mit Equipment hoher Musikalität und Zuverlässigkeit bei gleichzeitig günstigen Preisen.

Zu dieser Anleitung

Wir danken Ihnen, dass Sie sich für den Rotel Stereo-Vollverstärker RA-01 entschieden haben. Dieses einzigartige Gerät kann optimal in jedem hochwertigen Audiosystem eingesetzt werden.

Der RA-01 überzeugt durch höchste Wiedergabequalität und ist mit einer Vielzahl von Ausstattungsmerkmalen ausgestattet. Bei der Entwicklung des RA-01 wurde besonderer Wert darauf gelegt, den kompletten Dynamikbereich und feinste Nuancen der Musik wiederzugeben. Der RA-01 überzeugt mit einem leistungsstarken Netzteil mit großzügig dimensioniertem Ringkerntransformator und Slit-Foil-Siebkondensatoren. Dieses niederohmige Netzteil hat extreme Leistungsreserven, die es dem Vollverstärker ermöglichen, die anspruchsvollsten Musiksignale zu verarbeiten. Zwar ist diese Konstruktion teurer in der Herstellung, die Musikwiedergabe jedoch profitiert davon deutlich.

Die Signalwege sind streng symmetrisch gehalten, um Laufzeitunterschiede in den Kanälen zu verhindern. Auf der Platine werden Metallfilmwiderstände und Polystyrol- bzw. Polypropylenkondensatoren eingesetzt, die die Signale klanggetreu übertragen. Alle Aspekte dieser Konstruktion dienen nur dem Ziel der möglichst originalgetreuen Wiedergabe von Musik.

Der RA-01 ist einfach zu installieren und zu bedienen. Sollten Sie bereits Erfahrung mit der Installation anderer Stereosysteme haben, dürften keinerlei Probleme auftreten. Schließen Sie einfach die gewünschten Geräte an (siehe Anschlussdiagramm am Anfang dieser Bedienungsanleitung).

Einige Vorsichtsmaßnahmen

WARNUNG: *Um eine Beschädigung des Systems zu vermeiden, sollten Sie ALLE Geräte des Systems abschalten, bevor Sie die Lautsprecher etc. anschließen bzw. abtrennen. Schalten Sie die Geräte erst wieder ein, wenn alle Anschlüsse ordnungsgemäß hergestellt worden sind. Achten Sie dabei besonders auf die Lautsprecherkabel (siehe Hinweis im Abschnitt „Anschließen der Lautsprecher“).*

Lesen Sie sich die Bedienungsanleitung bitte vor der Inbetriebnahme genau durch. Neben grundsätzlichen Installations- und Bedienungshinweisen (bitte beachten Sie auch die Sicherheits- und Warnhinweise am Anfang der Bedienungsanleitung) enthält sie allgemeine Informationen, die Ihnen helfen werden, Ihr System mit seiner maximalen Leistungsfähigkeit zu betreiben. Bitte setzen Sie sich bei etwaigen Fragen mit Ihrem autorisierten Rotel-Fachhändler in Verbindung.

Bewahren Sie den Versandkarton und das übrige Verpackungsmaterial des RA-01 für einen eventuellen späteren Einsatz auf. Der Versand oder Transport des Vollverstärkers in einer anderen als der Originalverpackung kann zu erheblichen Beschädigungen des Gerätes führen.

Schicken Sie die Ihrem Vollverstärker beiliegende Garantieforderungskarte ausgefüllt an den Rotel-Distributor in Ihrem Land. Bewahren Sie bitte die Original-Kaufquittung auf. Sie belegt am besten das Kaufdatum, das für Sie wichtig wird, sobald Sie eine Garantieleistung in Anspruch nehmen.

Aufstellung des Gerätes

Wie bei vielen anderen Audio-Komponenten auch, kann die Signalqualität des RA-01 durch andere Geräte beeinträchtigt werden. Stellen Sie den RA-01 daher nicht auf andere Geräte.

Der RA-01 erwärmt sich während des Betriebes. Die entstehende Wärme kann unter normalen Bedingungen über die Kühlrippen und Ventilationsöffnungen abgeführt werden. Die Ventilationsöffnungen an der Oberseite dürfen nicht verdeckt werden. Um das Gehäuse muss ein Freiraum von 10 cm und am Aufstellungsort eine ausreichende Luftzirkulation gewährleistet sein, um einer Überhitzung des Verstärkers vorzubeugen.

Berücksichtigen Sie beim Aufstellen das Gewicht des RA-01. Wir empfehlen, ihn in entsprechendem HiFi-Mobiliar unterzubringen. HiFi-Mobiliar ist so ausgelegt, dass klangbeeinträchtigende Erschütterungen gedämpft bzw. unterdrückt werden. Lassen Sie sich von Ihrem autorisierten Rotel-Fachhändler in Bezug auf HiFi-Mobiliar und die optimale Aufstellung von Audio-Komponenten beraten.

Kabel

Achten Sie bitte darauf, dass Netz-, Digital- und die normalen Audio-Signalkabel separat verlaufen. Dies minimiert die Wahrscheinlichkeit, dass Netz- bzw. Digitalkabel die Signale der Analogkabel stören. Wir empfehlen, hochwertige abgeschirmte Kabel zu verwenden. Wenden Sie sich bei etwaigen Fragen zu den optimalen Kabeln für Ihr System an Ihren autorisierten Rotel-Fachhändler.

Netzspannung und Bedienung

Netzeingang 19

Der RA-01 benötigt keine großen Strommengen. Dennoch sollte er direkt an eine Wandsteckdose angeschlossen werden. Verwenden Sie kein Verlängerungskabel. Eine hochbelastbare Mehrfachsteckdose kann eingesetzt werden, wenn sie (und die Wandsteckdose) ausreichende Strommengen für den RA-01 sowie die anderen an sie angeschlossenen Komponenten liefern kann.

Ihr RA-01 wird von Rotel so eingestellt, dass er der in Ihrem Land üblichen Wechselspannung (Europa: 230 Volt, 50 Hz, USA: 115 Volt, 60 Hz) entspricht. Die Einstellung ist an der Geräterückseite angeben.

Hinweis: Sollten Sie mit Ihrem RA-01 in ein anderes Land umziehen, kann die Einstellung des Gerätes geändert werden, so dass es mit einer anderen Netzspannung betrieben werden kann. Versuchen Sie auf keinen Fall, diese Änderung selber vorzunehmen. Durch Öffnen des Gehäuses setzen Sie sich gefährlichen Spannungen aus. Ziehen Sie hierzu stets qualifiziertes Servicepersonal zu Rate.

Sind Sie, wie z.B. bei einer mehrwöchigen Urlaubsreise, für längere Zeit nicht zu Hause, sollten Sie Ihren Vollverstärker (ebenso wie alle anderen Audio- und Videokomponenten) während Ihrer Abwesenheit vom Netz trennen.

Betriebsanzeige **2** und Power-Taste **1**

Durch Drücken des Netzschalters wird der RA-01 eingeschaltet. Die Betriebsanzeige beginnt zu leuchten. Durch erneutes Drücken wird der Vollverstärker ausgeschaltet.

Weitere Informationen zu den Möglichkeiten, andere Komponenten Ihres Systems über den RA-01 ein- und abzuschalten enthält der Abschnitt „12V TRIGGER OUT-Anschlüsse“.

Eingangssignalanschlüsse

[Siehe Abbildung 2]

Hinweis: Beim Verkabeln und Anschließen sollten die Geräte generell abgeschaltet sein.

Phono-Eingang **13** und Erdungsanschluss **12**

Verbinden Sie das vom Plattenspieler kommende Kabel entsprechend mit dem linken und dem rechten Phonoeingang. Besitzt der Plattenspieler ein Erdungskabel, verbinden Sie dieses Kabel mit der Klemme links neben den Phonoeingängen. Das hilft, Brummen und Rauschen zu vermeiden.

Hochpegeleingänge **14**

Bei den mit CD, Tuner und Aux gekennzeichneten Eingängen des RA-01 handelt es sich um Hochpegeleingänge. Diese dienen zum Anschluss von Geräten wie CD-Playern, HiFi- oder NICAM-Stereo-Video-Cassettenrecordern, Tunern für Audio und Video, Laserdisc-Playern oder dem Analogausgang eines CD-ROM-Laufwerkes.

Die linken und rechten Kanäle sind gekennzeichnet und an die entsprechenden Kanäle der Quellkomponenten anzuschließen. Wir empfehlen Ihnen, zum Anschluss der Eingangsquellen an den RA-01 qualitativ hochwertige Cinch-Kabel zu verwenden. Lassen Sie sich diesbezüglich von Ihrem autorisierten Rotel-Fachhändler beraten.

Tape-Anschlüsse **15**

[Siehe Abbildung 2]

Die mit Tape gekennzeichneten Ein- und Ausgänge können an jedes beliebige Aufnahme- und Wiedergabegerät angeschlossen werden, das analoge Hochpegel-Ein- und Ausgangssignale verarbeiten kann. Normalerweise wird dies ein herkömmlicher Cassettenrecorder sein.

Denken Sie beim Anschluss eines Recorders an den RA-01 daran, dass die Ausgänge des Recorders mit den Tape-Eingängen des RA-01 verbunden werden müssen. Dementsprechend müssen die Tape-Ausgänge des RA-01 mit den Eingängen des Recorders verbunden werden. Stellen Sie, wie bei den anderen Quellen auch, sicher, dass die linken und rechten Kanäle zu jedem Gerät mit den entsprechenden Kanälen der angeschlossenen Komponenten verbunden werden. Verwenden Sie qualitativ hochwertige Verbindungskabel, um eine optimale Klangqualität zu gewährleisten.

HINWEIS: Der Signalpegel der Tape-Anschlüsse wird durch das Einstellen der Lautstärke, der Balance und der Klangregelung nicht verändert.

Preamp-Ausgänge **16**

Der RA-01 verfügt an der Rückseite über zwei mit PREOUT gekennzeichnete Ausgänge. An diesen Ausgängen steht das Signal der gewählten Quelle jederzeit zur Verfügung. In der Regel wird ein anderer Vollverstärker oder eine Endstufe daran angeschlossen.

HINWEIS: Der Signalpegel der Preamp-Ausgänge wird durch das Einstellen der Lautstärke, der Balance und der Klangregelung verändert.

Lautsprecherausgänge **17 18** Lautsprecherwahlschalter **4**

[Siehe Anschlußdiagramm in Abb. 2]

Der RA-01 verfügt an der Rückseite über zwei Paar mit „A“ **17** und „B“ **18** gekennzeichnete Lautsprecherausgänge. Über den Lautsprecherwahlschalter **4** an der Gerätefront kann eingestellt werden, welche Lautsprecher spielen sollen.

Auswahl der Lautsprecher

Wir empfehlen, an den RA-01 Lautsprecher mit einer nominalen Impedanz von mindestens 4 Ohm anzuschließen. Beim Betrieb aller an die Anschlussklemmen A und B angeschlossenen Lautsprecher sollte die nominale Impedanz mindestens 8 Ohm betragen. Die Angaben bezüglich der Impedanz von Lautsprechern sind oft ungenau. In der Praxis werden kaum Probleme beim Betrieb mit dem RA-01 auftreten. Wenden Sie sich bei Fragen bitte an Ihren autorisierten Rotel-Fachhändler.

Auswahl der Lautsprecherkabel

Verbinden Sie den RA-01 und die Lautsprecher über ein isoliertes, zweiadriges Lautsprecherkabel. Aufbau und Qualität des Kabels können hörbare Effekte auf die Musikwiedergabe haben. Standard-„Klingeldraht“ wird funktionieren, jedoch können vor allem bei größeren Kabellängen Leistungsverluste und eine ungleichmäßige Wiedergabe des Frequenzspektrums das Ergebnis sein. Allgemein gilt, dass Kabel mit größerem Querschnitt eine verbesserte Wiedergabequalität gewährleisten. Für höchste Wiedergabequalität sollten Sie die Benutzung von speziellen, hochwertigen Lautsprecherkabeln erwägen. Ihr autorisierter Rotel-Fachhändler wird Ihnen bei der Auswahl dieser Lautsprecherkabel gerne weiterhelfen.

Polarität und Phasenabgleich

Die Polarität – die positive/negative Ausrichtung der Anschlüsse – muss für jede Lautsprecher-/Verstärkerverbindung phasengleich sein. Wird die Polarität einer Verbindung irrtümlicherweise umgekehrt, führt dies zu einem unausgewogenen Klangbild mit schwachen Bässen.

Die Kabel sind zur Identifizierung gekennzeichnet. So kann die Isolationsschicht eines Leiters gerippt oder ein Leiter mit einem Streifen markiert sein. Das Kabel kann verschiedenfarbige Leiter (Kupfer und Silber) besitzen und von einer transparenten Isolationsschicht umgeben sein. Bei anderen Kabeln wird die Polaritätsangabe auf die Isolationsschicht gedruckt. Unterscheiden Sie zwischen positiven und negativen Leitern und achten Sie beim Anschluss an Lautsprecher und Verstärker auf die gleiche Polung.

Anschließen der Lautsprecher

Schalten Sie zunächst alle zum System gehörenden Geräte ab. An die Anschlussklemmen des RA-01 können blanke Drähte oder Kabelschuhe angeschlossen werden.

Führen Sie das Kabel vom RA-01 zu den Lautsprechern. Lassen Sie sich genügend Raum, damit Sie die Komponenten bewegen können und so einen freien Zugang zu den Lautsprechern sicherstellen.

Bei der Verwendung von Kabelschuhen verbinden Sie diese mit den Kabeln, stecken die Kabelschuhe hinten unter die Polklemmen und drehen die Klemmen im Uhrzeigersinn fest.

Sollten die Lautsprecherkabel direkt (ohne Kabelschuhe) an die Lautsprecherklemmen angeschlossen werden, so entfernen Sie an den Kabelenden ca. 15 mm der Isolation. Lösen Sie die Polklemmen durch Drehen gegen den Uhrzeigersinn. Verdrillen Sie die blanken Kabelenden, um ein Zerfasern zu vermeiden, und stecken Sie das verdrillte Kabel hinter die Polklemmen. Anschließend drehen Sie die Polklemmen im Uhrzeigersinn fest.

Hinweis: Achten Sie bitte darauf, dass die blanken Kabelenden vollständig an den Polklemmen untergebracht sind und somit das Berühren benachbarter Drähte oder Anschlüsse ausgeschlossen ist.

Kopfhörerbuchse 3

Über die Kopfhörerbuchse (PHONES) kann ein Kopfhörer angeschlossen werden. Diese Buchse ist auf die Verwendung von Standard-Stereo-Kopfhörersteckern ausgelegt. Sollte der Stecker Ihres Kopfhörers nicht passen, fragen Sie Ihren autorisierten Rotel-Fachhändler nach einem geeigneten Adapter. Auch nach Anschließen des Kopfhörers liegt noch ein Signal an den Ausgängen an. Sie können die Lautsprecher über den Lautsprecherwahlschalter abschalten. Mit Einstellen des Function- und des Monitor-Wahlschalters legen Sie die Hörquelle fest. Zum Anhören bzw. Aufnehmen der an den Tape-Eingang angeschlossenen Komponente setzen Sie den Monitor-Wahlschalter in die Tape-Position. Um auf das Signal der anderen Eingänge zugreifen zu können, lassen Sie den Monitor-Wahlschalter in der Source-Position und wählen die Hörquelle über den Function-Wahlschalter an der Gerätefront.

Hinweis: Wir empfehlen, die Lautstärke vor dem Anschließen bzw. Herausziehen des Kopfhörersteckers zu reduzieren.

Bedienelemente

Lautstärkeregelung 8

Durch Drehen des Lautstärkereglers wird die Lautstärke auf beiden Kanälen gleichzeitig verändert. Drehen Sie den Lautstärkeregler nach rechts, um die Lautstärke zu erhöhen und nach links, um die Lautstärke zu reduzieren.

Balance-Regler 9

Mit dem Balance-Regler wird das Lautstärkeverhältnis zwischen linkem und rechtem Kanal eingestellt. Normalerweise sollte für diesen Regler die Mittenposition beibehalten werden. Ist das Lautstärkeverhältnis zwischen den beiden Lautsprechern jedoch nicht ideal, wird eine entsprechende Einstellung des Balance-Reglers erforderlich. Durch Rechtsdrehung dieses Reglers wird die Lautstärke des rechten Lautsprechers gegenüber dem linken erhöht, durch Linksdrehung reduziert.

Klangregelung 7

Normalerweise sollten Sie diesen Schalter in der OFF-Position lassen. Die Klangregler arbeiten dann nicht, und die Signale werden ohne Beeinträchtigung der Klangqualität am Klangregelnetzwerk vorbeigeleitet. Möchten Sie den Klang verändern, so setzen Sie diesen Regler in die ON-Position.

Tiefen- und Höhenregler 5 6

Der BASS-Regler dient zur Einstellung der Tiefen, der TREBLE-Regler zur Einstellung der Höhen. Setzen Sie dazu den TONE-Schalter in die ON-Position. Zum Anheben der Frequenzbereiche drehen Sie den jeweiligen Regler nach rechts, zum Absenken nach links.

Nutzen Sie diese Regler möglichst wenig. Besonders vorsichtig sollten Sie sein, wenn Sie die Regler im Uhrzeigersinn drehen, da hierdurch die Belastung für Verstärker und Lautsprecher höher wird.

Function-Wahlschalter **11**

Über den Function-Wahlschalter können Sie eine Eingangssignalquelle auswählen. Setzen Sie den Wahlschalter an der Gerätefront auf die Quelle, die Sie hören möchten. Das Signal der ausgewählten Quelle wird auch zu den Preamp- und Tape-Ausgängen geleitet.

Monitor-Wahlschalter **10**

Befindet sich der Monitor-Wahlschalter in der Source-Position, wird das von Ihnen wahrgenommene Signal, das auch zu den Preamp-Ausgängen gesendet wird, über den Function-Schalter ausgewählt. Befindet sich der Monitor-Wahlschalter in der Tape-Position, wird das Signal von dem an die Tape-Eingänge angeschlossenen Cassettendeck wiedergegeben. Auch in dieser Position des Monitor-Wahlschalters wird das am Tape-Eingang anliegende Signal zu den Preamp-Ausgängen gesendet.

Das zum Tape-Ausgang gesendete Signal wird stets über den Function-Wahlschalter ausgewählt. Besitzt das zum Aufnehmen verwendete Gerät eine Mithörfunktion, so können Sie sich die Aufnahme anhören, wenn Sie den Monitor-Wahlschalter in die Tape-Position setzen.

12V TRIGGER OUT- Anschlüsse **20**

Einige Audio-Komponenten können über ein 12-V-Signal automatisch eingeschaltet werden. Die 12V TRIGGER OUT-Ausgänge stellen das erforderliche Signal zur Verfügung. Schließen Sie die entsprechenden Geräte über ein Kabel mit 3,5-mm-Steckern an. Ist der RA-01 ausgeschaltet, so liegt kein Triggersignal an den Ausgängen. Die angeschlossenen Geräte schalten sich ab.

Bei Störungen

Viele Probleme beruhen auf Einstellungsfehlern oder fehlerhaften Anschlüssen. Sollten Störungen auftreten, grenzen Sie den Bereich ein. Versuchen Sie, die Ursache für die Störung herauszufinden. Prüfen Sie die Einstellung der Regler und nehmen Sie gegebenenfalls die erforderlichen Änderungen vor. Lässt sich das Problem nicht beheben, wenden Sie sich bitte an Ihren autorisierten Rotel-Fachhändler.

Die Betriebsanzeige leuchtet nicht

Bei ordnungsgemäßem Betrieb beginnt die Betriebsanzeige zu leuchten, wenn der RA-01 an eine stromführende Wandsteckdose angeschlossen und eingeschaltet wird. Leuchtet sie nicht, prüfen Sie mit einem anderen elektrischen Verbraucher, z.B. einer Lampe, ob die Steckdose tatsächlich Strom führt. Prüfen Sie, ob der Strom nicht durch einen dazwischengeschalteten Schalter abgeschaltet worden ist.

Austauschen der Sicherung

Funktioniert ein anderes elektrisches Gerät an einer Steckdose und der Vollverstärker nicht, so kann dies ein Hinweis darauf sein, dass die Grobsicherung im Gehäuseinnern durchgebrannt ist. Trennen Sie den Vollverstärker vom Netz und lassen Sie die Sicherung von Ihrem autorisierten Rotel-Fachhändler auswechseln.

Kein Ton

Prüfen Sie, ob die Signalquelle einwandfrei funktioniert. Vergewissern Sie sich, ob die Kabel von der Signalquelle zu den Eingängen des RA-01 ordnungsgemäß angeschlossen sind. Stellen Sie sicher, dass der Function-Wahlschalter auf den richtigen Eingang geschaltet ist. Prüfen Sie alle Verbindungen zwischen dem RA-01 und den Lautsprechern.

Technische Daten

Dauerleistungsleistung (20 - 20.000 Hz, < 0,03 %, 8 Ohm)	40 Watt/Kanal
Gesamtklirrfaktor (20 - 20.000 Hz)	< 0,03 % bei Nennleistung, halber Nennleistung oder 1 Watt
Intermodulationsverzerrung (60 Hz : 7 kHz, 4:1)	< 0,03 % bei Nennleistung, halber Nennleistung oder 1 Watt
Frequenzgang Phonoeingang (MM) Hochpegeleingänge	20 - 15.000 Hz, ± 0,3 dB 10 - 40.000 Hz, ± 1 dB
Dämpfungsfaktor (20 - 20.000 Hz, 8 Ohm)	180
Eingangsempfindlichkeit/-impedanz Phonoeingang (MM) Hochpegeleingänge	2.5 mV/47 kOhm 150 mV/24 kOhm
Übersteuerungsgrenze Phonoeingang (MM) Hochpegeleingänge	180 mV 5 V
Vorverstärkerausgang/Impedanz	1 V/470 Ohm
Klangregelung - Bass/Treble	± 6 dB bei 100 Hz / 10 kHz
Geräuschspannungsabstand (IHF A) Phonoeingang (MM) Hochpegeleingänge	80 dB 100 dB
Spannungsversorgung USA Europa	115 Volt, 60 Hz 230 Volt, 50 Hz
Leistungsaufnahme	220 Watt
Abmessungen (B x H x T)	435 x 72 x 342 mm
Höhe der Gerätefront (wenn Sie das Gerät in ein Rack stellen möchten)	60 mm
Nettogewicht	5,9 kg

Diese Bedienungsanleitung entspricht dem technischen Stand bei Drucklegung. Änderungen in Technik und Ausstattung vorbehalten.

ATTENZIONE : Rischio di scossa elettrica, non aprire.

AVVERTENZA : Per ridurre il rischio di scossa, non togliete il coperchio del cabinet. Non contiene parti utili per l'utente. Per l'assistenza fate riferimento a personale qualificato.

Spiegazione dei simboli grafici

Il fulmine inserito in un triangolo vi avverte della presenza di materiale non isolato a "voltage elevato" all'interno del prodotto che può essere abbastanza potente da costituire pericolo di folgorazione.

Il punto esclamativo entro un triangolo equilatero vi avverte della presenza di istruzioni importanti per l'utilizzo e la manutenzione nel manuale che accompagna l'apparecchiatura.

AVVERTENZA : Non contiene parti ad uso dell'utente. Per l'assistenza fate riferimento a personale qualificato.

AVVERTENZA : Per ridurre il rischio di scossa o incendio, non esponete questo apparecchio a pioggia o umidità. Non lasciate che oggetti estranei cadano all'interno dell'apparecchio. Nel caso questo venisse esposto a umidità o un oggetto estraneo vi cadesse all'interno, togliete immediatamente il cordone di alimentazione dalla parete. Portate l'apparecchio a una persona qualificata per la manutenzione per effettuare un controllo e le necessarie riparazioni.

Leggere le istruzioni tutte le istruzioni d'uso e di sicurezza prima di attivare l'apparecchiatura. Conservate questo manuale di istruzioni per farvi riferimento in caso di sicurezza.

Seguite tutte le avvertenze e le istruzioni di sicurezza in questo manuale e sul prodotto stesso. Seguite tutte le indicazioni di utilizzo.

Pulite l'apparecchio solo con un panno asciutto o un aspirapolvere.

Lasciate 10 cm di spazio libero attorno all'apparecchio. L'unità non dovrebbe essere posta su un letto, divano, tappeto, o posti che possano bloccare le aperture di ventilazione. Se l'apparecchiatura viene collocata in una libreria o in un armadietto ci deve essere sufficiente passaggio d'aria intorno all'apparecchio per rendere possibile un corretto raffreddamento.

Mantenete l'apparecchiatura lontano da caloriferi, termosistemi, stufe, o altri apparecchi che producano calore

L'apparecchiatura dovrebbe essere collegata solamente a una sorgente elettrica del tipo e del voltage segnato sul pannello posteriore dell'apparecchiatura.

Collegate l'apparecchiatura ad una presa di alimentazione solo con il cavo di alimentazione provvisto o con uno similare. Non modificate in alcun caso il cavo fornito. Non cercate di evitare la messa a terra o la polarizzazione. Non fate uso di prolunghe.

Non fate passare i cavi di alimentazione dove potrebbero essere calpestati o piegati ad angoli acuti, esposti a calore o danneggiati in alcun caso. Fate particolare attenzione al cavo di alimentazione in corrispondenza della spina e del punto da cui esce dall'apparecchiatura.

Il cordone di alimentazione dovrebbe essere scollegato quando l'apparecchiatura è inutilizzata per un periodo piuttosto lungo.

Smettete immediatamente di utilizzare l'apparecchiatura e fatela ispezionare e/o controllare da un'assistenza qualificata se:

- Il cavo di alimentazione o la spina sono stati danneggiati.
- Oggetti sono caduti, o del liquido è stato versato nell'apparecchio.
- L'apparecchiatura è stata esposta alla pioggia.
- L'apparecchiatura non sembra funzionare in modo normale.
- L'apparecchiatura è caduta, o il cabinet è rimasto danneggiato.

L'apparecchiatura dovrebbe essere collocata su una superficie fissa e piana forte abbastanza per portarne il peso. Non collocate l'apparecchiatura su un carrello mobile che potrebbe ribaltarsi.



Indice

Figure 1: Controlli e collegamenti	3
Figure 2: Collegamenti dei segnali linea in ingresso, del registratore, dei diffusori	4
Indice	19
Alcune parole sulla Rotel	20
Per cominciare	20
Alcune precauzioni	20
Posizionamento	20
Cavi	20
Collegamento alla rete e controlli	21
Ingresso in corrente alternata 19	21
Spia di alimentazione 2 e	
Interruttore di accensione 1	21
Collegamenti del segnale in ingresso	21
Ingresso Phono 13 e	
Collegamento a terra 12	21
Ingressi di livello di linea 14	21
Collegamenti del registratore 15	21
Uscite del preamplificatore 16	21
Uscite del diffusore 17 18 e interruttore del selettore del diffusore 4	21
Selezione del cavo del diffusore	21
Scelta dei cavi	22
Polarità e fase	22
Collegamento dei diffusori	22
Uscita cuffia 3	22
Controlli audio	22
Controllo del volume 8	22
Selettore Balance 9	22
Interruttore dei toni 7	22
Controllo dei bassi e degli acuti 5 6	22
Selettore Function 11	23
Selettore Monitor 10	23
Uscita Trigger 12V 20	23
Ricerca dei guasti	23
La spia di accensione non si illumina	23
Sostituzione del fusibile	23
Nessun suono	23
Caratteristiche	23

Alcune parole sulla Rotel

Una famiglia, la cui passione per la musica ha spinto a realizzare componenti hi-fi di elevata qualità, fondò la Rotel più di 40 anni fa. Attraverso gli anni la passione è rimasta intatta e l'obiettivo di offrire prodotti eccezionali agli audiofili e amanti della musica ad un costo non elevato è condiviso da tutti alla Rotel.

Gli ingegneri lavorano come una squadra affiatata, ascoltando e mettendo a punto ogni nuovo prodotto finché non raggiunge perfettamente i loro standard musicali. Sono liberi di scegliere i componenti in qualsiasi parte del mondo al fine di realizzare il prodotto nel miglior modo possibile. Così potrete trovare condensatori provenienti dall'Inghilterra e dalla Germania, semiconduttori dal Giappone o dagli Stati Uniti, mentre i trasformatori toroidali sono prodotti proprio dalla Rotel.

La fama di eccellenza della Rotel è stata guadagnata grazie a centinaia di ottime recensioni e riconoscimenti conferiti dai più autorevoli esperti del settore, che ascoltano la musica ogni giorno. I loro commenti confermano l'obiettivo della società - La ricerca di un apparecchio che sia musicale, affidabile e conveniente.

Vi ringraziamo per aver scelto questo prodotto augurandovi molte ore di piacevole intrattenimento musicale.

Per cominciare

Grazie per aver acquistato l'amplificatore stereo integrato Rotel RA-01. Utilizzato in un impianto hi-fi di alta qualità vi garantirà numerosi anni di intrattenimento musicale.

L'RA-01 è un amplificatore versatile di elevate prestazioni. Tutti gli aspetti del design sono stati ottimizzati per conservare la piena gamma dinamica e per restituirvi anche i minimi dettagli della vostra musica. L'RA-01 ha uno stadio di alimentazione altamente regolato che comprende un trasformatore toroidale specificamente progettato dalla Rotel e appositi condensatori slit-foil. Questa alimentazione a bassa impedenza ha ampie riserve di potenza che consentono all'RA-01 di riprodurre i segnali audio più complessi. Questo tipo di progetto è più costoso da produrre ma è migliore per la musica.

Abbiamo progettato le schede dei circuiti stampati (PCB) con Tracce a Circuito Simmetrico. Ciò garantisce che il tempo esatto della musica venga mantenuto e fedelmente riprodotto. La circuitazione dell'RA-01 contiene resistenze a film metallico e condensatori in polistirene o polipropilene che vengono utilizzati in sezioni critiche sul percorso del segnale. Tutti gli aspetti di questo progetto sono stati studiati con lo scopo finale di ottenere la più fedele riproduzione sonora.

L'RA-01 è dotato inoltre di selettori indipendenti per il segnale d'ingresso. Questi vi consentono di ascoltare una sorgente mentre ne registrate un'altra.

L'installazione dell'RA-01 e il suo funzionamento sono semplici. Se avete già esperienza con altri sistemi stereo, non dovrete incontrare alcuna difficoltà. Collegare semplicemente i componenti abbinati e ascoltate la musica.

Alcune precauzioni

AVVERTENZA : *Per evitare potenziali danni al vostro impianto, spegnete tutti i componenti dell'impianto quando collegate o scollegate i diffusori o qualsiasi componente connesso. Non riaccendete l'impianto fino a quando non siete sicuri che tutti i componenti siano collegati correttamente. Ponete particolare attenzione ai cavi dei diffusori. Non devono esserci fili sciolti che potrebbero fare contatto con i cavi dell'altro diffusore o con lo chassis dell'amplificatore.*

Leggete attentamente questo manuale. Oltre alle istruzioni relative all'installazione dell'RA-01 fornisce indicazioni generali che vi aiuteranno a ottenere prestazioni ottimali dal vostro impianto. Vi preghiamo di contattare il vostro rivenditore autorizzato Rotel per qualsiasi domanda. Inoltre tutti noi alla Rotel saremo ben lieti di rispondere alle vostre domande e commenti.

Conservate l'imballaggio dell'RA-01 e tutto il materiale di imballaggio interno per un uso futuro. Trasportare o spedire l'RA-01 in un imballo non originale potrebbe danneggiare il vostro amplificatore.

Compilate e inviate la carta di registrazione allegata all'RA-01. Assicuratevi anche di conservare la ricevuta della vendita originale. E' il vostro migliore documento per la data di acquisto di cui avrete bisogno ogni volta sia necessario il servizio di garanzia.

Posizionamento

Come tutti i componenti audio che utilizzano segnali a basso livello, l'RA-01 può essere condizionato dal suo ambiente. Non appoggiate l'RA-01 sopra un amplificatore di potenza. Questo ridurrà al minimo il surriscaldamento e le possibili interferenze o disturbi.

L'RA-01 produce calore durante il suo funzionamento. Le alette di raffreddamento e le aperture di ventilazione dell'amplificatore sono progettate per dissipare questo calore. Le fessure di ventilazione nella parte superiore devono restare aperte. Ci dovrebbero essere 10 cm di spazio intorno al telaio e un ragionevole flusso di aria nell'area di installazione, per evitare che l'apparecchio si surriscaldi.

Quando scegliete una collocazione tenete presente il peso dell'amplificatore. Assicuratevi che lo scaffale o il cabinet possano sostenere il notevole peso. Vi raccomandiamo di installarlo in mobili progettati per accogliere componenti audio. Tali mobili appositi sono progettati per ridurre o perfino eliminare le vibrazioni che possono influenzare negativamente la qualità sonora. Chiedete consiglio al vostro rivenditore autorizzato Rotel hi-fi circa l'arredamento dedicato e una corretta installazione dei componenti audio.

Cavi

Durante l'installazione fate attenzione a mantenere separati i cordoni di alimentazione dai cavi di segnale digitali e quelli di segnale audio standard. Questo ridurrà la possibilità di un'interferenza e disturbo fra i cordoni di alimentazione o i cavi digitali. Utilizzando cavi schermati di alta qualità contribuirà anche a evitare che disturbo o interferenza riducano la qualità sonora del vostro impianto. Se avete domande contattate il vostro rivenditore autorizzato Rotel per un consiglio sul migliore cavo per il vostro impianto.

Collegamento alla rete e controlli

Ingresso in corrente alternata 19

L'RA-01 non assorbe una notevole quantità di corrente. Tuttavia, se possibile, sarebbe meglio collegarlo direttamente a una presa a muro polarizzata a due poli. Non usate una prolunga. Una robusta ciabatta a prese multiple può pilotare la corrente richiesta dall'RA-01 e dagli altri componenti collegati ad essa.

Il vostro RA-01 è già stato predisposto in fabbrica per il voltaggio corretto per il paese dove lo avete acquistato (o 115 volt o 230 volt con una frequenza di linea di o 50 Hz o 60 Hz). La configurazione di linea di corrente alternata è indicata su un adesivo sul pannello anteriore.

NOTA: Nel caso doveste trasportare il vostro RA-01 in un altro paese è possibile riconfigurare l'amplificatore per un utilizzo su una diversa linea di voltaggio. Non cercate di provvedere a questa conversione da soli. Aprire il cabinet dell'RA-01 vi espone a voltaggi pericolosi. Consultate personale di servizio qualificato o il centro di servizio della Rotel per informazioni.

Se vi assentate da casa per un lungo periodo, come una vacanza di un mese, è consigliabile staccare il vostro amplificatore dalla rete (così come per gli altri componenti audio e video) durante la vostra assenza.

Spia di alimentazione 2 e Interruttore di accensione 1

Premete l'interruttore di accensione per accendere l'RA-01. La spia di alimentazione è illuminata quando l'RA-01 è acceso. Premete e rilasciate di nuovo l'interruttore per spegnere l'RA-01.

Vedere la sezione "Uscite trigger 12V" per maggiori informazioni sulla possibilità di accendere spegnere altri componenti del sistema contemporaneamente.

Collegamenti del segnale in ingresso

(vedere Figura 2)

NOTA: per evitare rumori forti che non sarebbero apprezzati né da voi né dai diffusori, assicuratevi che l'impianto sia spento quando effettuate qualsiasi collegamento di segnale.

Ingresso Phono 13 e Collegamento a terra 12

Inserite il cavo proveniente dal giradischi negli ingressi phono destro e sinistro. La maggior parte dei giradischi hanno un filo di "massa". Collegatelo al terminale a vite alla sinistra degli ingressi Phono. Eviterà l'insorgere di ronzii e rumori.

Ingressi di livello di linea 14

Gli ingressi CD, DVD/Video, Tuner e Aux dell'RA-01 sono ingressi linea. Servono per collegare componenti come i lettori CD, i registratori a cassetta video HiFi o NICAM, i sintonizzatori per l'audio o il video, i lettori Laser Disc o l'uscita analogica da un lettore CD ROM.

I canali destro e sinistro sono chiaramente etichettati e dovrebbero essere collegati ai canali corrispondenti del componente di sorgente. I connettori RCA del canale sinistro sono bianchi, i connettori del canale destro sono rossi. Utilizzate cavi RCA di alta qualità per collegare componenti di sorgente in ingresso all'RA-01. Chiedete al vostro rivenditore autorizzato Rotel per avere un consiglio sui cavi.

Collegamenti del registratore 15

(vedere Figura 2)

Gli ingressi e le uscite Tape possono essere collegate a qualsiasi apparecchio di registrazione/riproduzione che accetti segnali standard di ingresso e di uscita di livello linea analogici. Generalmente si tratterà di un registratore a cassetta convenzionale.

Quando collegate un registratore all'RA-01 ricordate che le uscite del registratore devono essere collegate agli ingressi tape dell'RA-01. Allo stesso modo le uscite tape dell'RA-01 devono essere collegate agli ingressi del registratore. Come per altre sorgenti assicuratevi di collegare i canali destro e sinistro di ogni apparecchio al giusto canale sui componenti in abbinamento. Utilizzate cavi di collegamento di alta qualità per evitare una perdita della qualità sonora.

Uscite del preamplificatore 16

L'RA-01 ha una coppia di uscite preamplificate. Il segnale dalla sorgente selezionata con il Selettore d'Ascolto è sempre disponibile da queste uscite. Generalmente queste uscite sono utilizzate per fornire un segnale a un altro amplificatore integrato o ad un finale di potenza per pilotare altre coppie di diffusori.

NOTA: Variando l'impostazione del controllo del volume, del Balance o dei toni varierà il segnale delle uscite preamplificate.

Uscite del diffusore 17 18 e interruttore del selettore del diffusore 4

(vedere Figura 2)

L'RA-01 ha due coppie di uscite del diffusore contrassegnate con "A" 17 e "B" 18. Le uscite del diffusore sono controllate dall'interruttore Speaker Selector 4 sul pannello anteriore.

Selezione del cavo del diffusore

Se viene utilizzata una sola coppia di diffusori, questi devono avere un'impedenza minima di 4 ohm. Tuttavia se sono utilizzati sia i diffusori A che i diffusori B, questi dovrebbero avere un'impedenza di 8 ohm o superiore. I dati sull'impedenza dei diffusori non sono affatto precisi. In pratica, pochissimi diffusori presenteranno un problema per l'RA-01. Chiedete al vostro rivenditore autorizzato Rotel se avete dei quesiti da porre in merito.

Scelta dei cavi

Utilizzate cavi a due conduttori isolati per collegare l'RA-01 ai diffusori. Le dimensioni e la qualità dei cavi possono avere effetti udibili sulle performance del sistema. I cavi standard vanno bene ma possono dare un'uscita più bassa o una risposta limitata in gamma bassa, in particolare se sono molto lunghi. In generale cavi ben dimensionati miglioreranno la resa sonora. Per ottenere le migliori prestazioni, potete prendere in considerazione cavi speciali di alta qualità. Il vostro rivenditore Rotel vi potrà aiutare nella scelta.

Polarità e fase

La polarità - l'orientamento positivo/negativo dei collegamenti - per il collegamento di ogni diffusore e amplificatore deve essere rispettata affinché tutti i diffusori siano in fase. Se la polarità di un collegamento è accidentalmente invertita, il basso sarà debole e l'immagine stereo scadente. Tutti i cavi sono segnati affinché si possano identificare i due conduttori. Vi possono essere scanalature o una striscia sull'isolante di un conduttore. Il cavo può avere un'isolante trasparente con conduttori di colori diversi (rame e argento). Indicazioni sulla polarità possono essere stampate sull'isolante. Identificare i conduttori positivo e negativo e che la polarità venga rispettata nei collegamenti tra l'amplificatore e i diffusori.

Collegamento dei diffusori

Spegnete tutti i componenti del sistema prima di collegare i diffusori. L'RA-01 ha due coppie di connettori colorati sul pannello posteriore (ad eccezione dei paesi della Comunità Europea dove non sono consentiti). Questi connettori accettano cavi spellati, forcelle, o doppi connettori a banana.

Portare il cavo dall'RA-01 ai diffusori. Lasciatelo lento in modo da poter muovere i componenti abbastanza da consentire l'accesso ai connettori dei diffusori.

Se utilizzate i doppi connettori a banana, collegateli ai cavi ed inseriteli nella parte posteriore dei connettori dell'amplificatore. Gli anelli dei connettori dovrebbero essere avvitati in tutti i casi (in senso orario).

Se state utilizzando connettori a forcella, collegateli ai cavi. Se state collegando cavi spellati direttamente ai connettori, separate i conduttori dei cavi e strappate indietro l'isolante dall'estremità di ogni conduttore. Fate attenzione a non tagliare l'intreccio dei fili. Svitare (in senso antiorario) gli anelli dei connettori. Posizionate la forcella attorno al perno del connettore o inserite il filo avvolto nel foro del perno. Avvitare gli anelli in senso orario per serrare la forcella o il filo.

NOTA: Assicuratevi che non vi siano fili sparsi che potrebbero toccare i fili o i connettori adiacenti

Uscita cuffia 3

L'Uscita Cuffia vi permette di collegare una cuffia per un ascolto in privato. Questa uscita ospita una spina standard stereo da 1/4". Se la vostra cuffia è dotata di un altro tipo di spina, come un mini jack da 1/8", avrete bisogno di un adattatore. Contattate il vostro rivenditore autorizzato Rotel, per acquistare l'adattatore appropriato. Inserendo la cuffia non si interrompe il segnale alle uscite dei diffusori. Per impostare la sorgente da riprodurre agire sul selettore Function e sul selettore Monitor Tape. Per riprodurre la sorgente collegata all'ingresso TAPE posizionare il selettore Monitor su Tape. Per tutti gli altri ingressi lasciare il selettore Monitor su Source e selezionare la sorgente che si desidera ascoltare tramite il selettore Function.

NOTA: Siccome la sensibilità dei diffusori e della cuffia può variare notevolmente, riducete sempre il livello del volume prima di collegare o scollegare la cuffia.

Controlli audio

Controllo del volume 8

Il comando del volume sul pannello anteriore aumenta o diminuisce il volume in entrambi i canali allo stesso tempo. Ruotatelo in senso orario per aumentare il volume e in senso antiorario per diminuirlo.

Selettore Balance 9

Il selettore Balance controlla il bilanciamento dei canali sinistro/destro in uscita verso i diffusori. Normalmente il selettore dovrebbe rimanere nella posizione centrale. In alcune situazioni, ad esempio quando la posizione dell'ascoltatore non è perfettamente al centro dei diffusori, può essere necessario regolare il bilanciamento dei canali sinistro/destro. Muovendo la manopola in senso anti-orario si sposterà il campo sonoro sul canale sinistro. Ruotando invece la manopola in senso orario il suono si sposterà sul canale destro.

Interruttore dei toni 7

Quando l'interruttore dei toni è in posizione "Off" il circuito di controllo dei bassi e degli acuti (Controllo toni) viene escluso per garantire la più elevata integrità del segnale. Lasciate l'interruttore dei toni in posizione "Off" fino a quando non volete utilizzare il Controllo Toni. Posizionate l'interruttore in posizione "On" per regolare il Controllo Toni.

Controllo dei bassi e degli acuti 5 6

Quando l'interruttore dei toni è in posizione "On" ruotando i controlli dei bassi e degli acuti si regola il bilanciamento tonale del suono. Ruotate i controlli in senso orario per aumentare l'uscita dei bassi o degli acuti. Ruotate i controlli in senso antiorario per diminuire l'uscita dei bassi o degli acuti.

Un sistema hi-fi di elevate prestazioni produce un suono estremamente naturale senza alcuna regolazione dei controlli di tono. Utilizzate raramente questi controlli. Fate particolare attenzione, quando ruotate i controlli in senso orario. Questo aumenta la potenza d'uscita in gamma bassa o acuta, aumentando il carico sui diffusori e sull'amplificatore.

Selettore Function **11**

Il Selettore Function controlla quali dei segnali d'ingresso è diretto all'uscita e sul finale di potenza o, più semplicemente, quale sorgente viene ascoltata. Ruotate il Selettore Function del pannello anteriore sulla sorgente che desiderate ascoltare.

Selettore Monitor **10**

Quando il selettore Monitor è posizionato su Source il segnale riprodotto, che sarà anche sulle uscite preamplificate, è quello che è stato selezionato sul selettore Function. Per riprodurre il segnale da un registratore collegato all'ingresso Tape, posizionare il selettore Monitor in posizione Tape. Quando il selettore Monitor è in posizione Tape, il segnale dall'ingresso Tape va anche alle uscite preamplificate.

Il segnale che va alle uscite Tape è sempre quello impostato sul selettore Function. Quando stai registrando da una unità che dispone delle funzioni monitor, puoi ascoltare il suono che stai registrando impostando il selettore Monitor sulla posizione Tape.

Uscita Trigger 12V **20**

Alcuni componenti audio possono essere attivati automaticamente quando ricevono un "segnale" di attivazione da 12V. Le uscite trigger da 12 volt dell'RA-01 forniscono il segnale richiesto. Collegare i componenti compatibili all'RA-01 con un cavo a mini spina convenzionale. Quando l'RA-01 è spento il segnale a 12V dell'uscita Trigger è disattivato, perciò i componenti ad esso collegati non riceveranno nessun segnale.

Ricerca dei guasti

Nei sistemi audio molti problemi derivano da collegamenti errati o inadeguate regolazioni dei controlli. Se vi si pone un problema, isolate l'area critica, verificate le regolazioni dei controlli, determinate la causa del problema e operate i necessari cambiamenti. Se non siete in grado di far funzionare l'RA-01 fate riferimento ai suggerimenti per le condizioni che seguono:

La spia di accensione non si illumina

La Spia di Accensione dovrebbe illuminarsi ogni volta che l'RA-01 è collegato alla presa di corrente e il Pulsante di Accensione è premuto all'interno. Se non si accende controllate la presa di alimentazione con un altro apparecchio elettrico, come una lampada. Assicuratevi che la presa di alimentazione in uso non sia controllata da un interruttore che è stato disattivato.

Sostituzione del fusibile

Se un altro apparecchio elettrico funziona una volta collegato alla presa di alimentazione, ma la spia di Standby continua a non illuminarsi quando l'RA-01 è collegato alla presa di corrente, significa che potrebbe essersi bruciato il fusibile di alimentazione interno. Se ritenete che ciò sia successo, contattate il vostro rivenditore Rotel per la sostituzione del fusibile.

Nessun suono

Controllate la sorgente di segnale per vedere se sta funzionando correttamente. Assicuratevi che i cavi dalla sorgente di segnale agli ingressi dell'RA-01 siano collegati correttamente. Controllate che il selettore d'ascolto sia posizionato sull'ingresso corretto. Controllate tutti i cablaggi tra l'RA-01 e i diffusori.

Caratteristiche

Potenza d'uscita continua (20-20kHz, <0.03 % su 8 ohm)	40 watt per canale
Distorsione armonica totale (20Hz-20kHz)	< 0.03% alla potenza dichiarata, 1/2 potenza o 1 watt
Distorsione di intermodulazione (60 Hz : 7 kHz, 4:1)	<0.03% alla potenza dichiarata, 1/2 potenza o 1 watt
Risposta in frequenza Ingresso Phono Ingressi linea	20Hz - 15KHz, ± 0,3 dB 10Hz - 40kHz, ± 1dB
Fattore di smorzamento (20 - 20,000Hz, 8 ohm)	180
Impedenza/sensibilità d'ingresso Ingresso Phono (MM) Ingressi linea	2.5 mV/47kOhm 150mV/24kOhm
Sovraccarico di ingresso Ingresso Phono (MM) Ingressi linea	180mV 5V
Uscita Preamplificatore/Impedenza	1V/470 ohm
Controlli di tono - Bass/Treble	± 6 dB a 100 Hz / 10kHz
Rapporto segnale/disturbo (Pesato "A") Ingresso Phono Ingressi linea	80 dB 100dB
Alimentazione versione Americana versione Europea	115 Volt , 60 Hz 230 Volt, 50 Hz
Assorbimento	220 Watt
Dimensioni (L x A x P)	435 x 72 x 342 mm
Altezza pannello frontale (per montaggio a rack)	60mm
Peso (netto)	5.9 Kg.

Tutte le caratteristiche sono corrette al momento della pubblicazione.
Rotel si riserva il diritto di apportare qualsiasi cambiamento senza alcun preavviso.

Instrucciones de Seguridad Importantes

ADVERTENCIA: No hay componentes manipulables por el usuario en el interior del aparato. Cualquier operación de mantenimiento debe ser llevada a cabo por personal cualificado.

ADVERTENCIA: Para reducir el riesgo de que se produzca un incendio o una descarga eléctrica, no exponga el aparato al agua o la humedad ni permita que ningún objeto extraño penetre en su interior. Si el aparato está expuesto a la humedad o algún objeto extraño penetra en su interior, desconecte inmediatamente el cable de alimentación de la red eléctrica. En caso de que fuera necesario, envíe el aparato a un especialista cualificado para su inspección y posterior reparación.

Lea todas las instrucciones del presente manual antes de conectar o hacer funcionar el aparato. Conserve este manual cerca de usted para el caso de que necesite revisar las instrucciones de seguridad que se indican a continuación.

Tenga siempre en mente las advertencias y la información relativa a seguridad que figuran tanto en estas instrucciones como en el propio aparato. Siga al pie de letra todas las instrucciones relacionadas con el funcionamiento del mismo.

Limpie el exterior del aparato únicamente con una gamuza seca o un aspirador.

Debe dejar un mínimo de 10 centímetros de espacio libre alrededor del aparato. No coloque nunca el RA-01 en una cama, un sofá, una alfombra o una superficie similar susceptible de bloquear las ranuras de ventilación. Si el aparato está ubicado en la estantería de una librería o un mueble, debe haber suficiente espacio a su alrededor y ventilación en el mueble para permitir una refrigeración adecuada.

Mantenga al aparato alejado de radiadores, estufas, cocinas o de cualquier otra instalación que produzca calor.

El aparato debe ser conectado únicamente a una fuente de alimentación del tipo y la tensión especificados en su panel posterior.

Conecte el aparato a una toma de corriente eléctrica únicamente a través del cable de alimentación de dos clavijas polarizado suministrado de serie o un equivalente exacto del mismo. No modifique de ningún modo dicho cable. No intente desactivar los terminales destinados a la conexión a tierra o polarización. El cable debería ser conectado a una toma de corriente eléctrica de dos terminales que se adapten perfectamente a las clavijas del cable de alimentación del aparato. No utilice ningún tipo de cable de extensión.

No coloque el cable de alimentación en lugares en que pueda ser aplastado, pinchado, doblado en ángulos críticos, expuesto al calor o dañado de algún modo. Preste particular atención al punto de unión entre el cable y la toma de corriente y también a la ubicación de esta última en el panel posterior del aparato.

El cable de alimentación debería desconectarse de la red eléctrica cuando el aparato no vaya a ser utilizado durante un largo período de tiempo (por ejemplo las vacaciones de verano).

Desconecte inmediatamente el aparato y envíelo a un servicio técnico cualificado para su inspección/repelación si:

- El cable de alimentación o alguna clavija del mismo ha sido dañado.
- Han caído objetos o se ha derramado líquido en el interior del aparato.
- El aparato ha sido expuesto a la lluvia.
- El aparato muestra signos de funcionamiento inadecuado.
- El aparato ha sido golpeado o dañado de algún modo.

Coloque el aparato sobre una superficie fija y equilibrada que sea suficientemente resistente para soportar su peso. No coloque nunca el aparato en una carretilla móvil de la que pueda volcar.



Contenido

Figura 1: Controles y Conexiones	3
Figura 2: Conexiones para Entrada de Señal y Salida a las Cajas Acústicas	4
Instrucciones de Seguridad Importantes ..	24
Contenido	24
Acerca de Rotel	25
Para Empezar	25
Algunas Precauciones	25
Colocación	25
Cables	26
Alimentación y Control	26
Entrada de Corriente Eléctrica 19	26
Conmutador 1 e Indicador Luminoso de Puesta en Marcha 2	26
Conexiones de Entrada	26
Entrada de Fono 13 y Conexión a Masa 12	26
Entradas de Línea 14	26
Conexiones para Grabador 15	27
Salidas Preamplificadas 16	27
Salidas para la Conexión de las Cajas Acústicas 17 18 y Conmutador para la Selección de las Cajas Acústicas 4	27
Impedancia de las Cajas Acústicas	27
Selección del Cable de Conexión a las Cajas Acústicas	27
Polaridad y Puesta en Fase	27
Conexión de las Cajas Acústicas	27
Salida de Auriculares 3	28
Controles de Audio	28
Control del Nivel de Volumen 8	28
Control de Balance 9	28
Conmutador de Activación/Desactivación de los Controles de Tono 7	28
Controles de Graves y Agudos 5 6	28
Selector de la Fuente de Entrada 11	28
Control de Monitorización 10	28
Toma para Señal de Disparo de 12 V 20 20	29
Problemas y Posibles Soluciones	29
El Indicador Luminoso de Puesta en Marcha No Se Activa	29
Sustitución del Fusible	29
No Hay Sonido	29
Características Técnicas	29

Acerca de Rotel

Rotel fue fundada hace más de 40 años por una familia cuyo entusiasta interés por la música le condujo a diseñar y construir componentes de Alta Fidelidad sin ningún tipo de compromiso. Esta pasión ha permanecido inalterada durante todo este tiempo, hasta el punto de que el objetivo de los fundadores de la compañía -proporcionar productos de la máxima calidad a melómanos y audiófilos independientemente de cuales sean sus posibilidades económicas- es compartido por todos sus empleados.

Los ingenieros de Rotel trabajan como un equipo compacto, escuchando y llevando a cabo el ajuste fino de cada nuevo producto hasta que satisface de manera exacta los estándares de calidad musical para los que fue diseñado. Para lograrlo, disponen de la máxima libertad para escoger los mejores componentes allí donde se encuentren. Le sorprenderá agradablemente encontrar exquisitos condensadores procedentes del Reino Unido y Alemania o semiconductores de Japón o Estados Unidos, mientras que los transformadores toroidales de potencia son construidos en la propia factoría de Rotel.

Rotel se ha ganado a pulso, a través de a cientos de artículos, bancos de pruebas y galardones firmados por los críticos especializados más respetados del mundo, una sólida reputación por la excelencia de sus productos. Los comentarios de estos profesionales que escuchan música cada día hacen posible que la compañía se reafirme en la validez de sus objetivos: la puesta a punto de componentes y equipos musicales, fiables y asequibles.

Le agradecemos que haya adquirido este producto y esperamos que le permita disfrutar de su música predilecta durante largos años.

Para Empezar

Gracias por adquirir el Amplificador Integrado Estereofónico Rotel RA-01. Utilizado en un sistema de reproducción musical de alta calidad, le permitirá disfrutar durante muchos años de sus composiciones musicales favoritas.

El RA-01 es un componente de audio de altas prestaciones extremadamente completo. Todos los aspectos de su diseño han sido optimizados para preservar toda la gama dinámica y todas las sutilezas de su música predilecta. El RA-01 incorpora una fuente de alimentación altamente regulada que incluye un transformador de alimentación toroidal y condensadores de láminas finas diseñados y construidos a medida siguiendo especificaciones de Rotel. Esta fuente de alimentación de baja impedancia posee una generosa reserva de energía que permite al RA-01 reproducir fácilmente las más exigentes señales de audio. Un diseño de este tipo resulta más caro de fabricar pero es mejor para la música.

Las placas de circuito impreso (PCB) del RA-01 han sido diseñadas con Pistas Circuitalas Simétricas a fin de asegurar el perfecto mantenimiento de las relaciones temporales de la música y la más fiel reproducción de las mismas. La circuitería del RA-01 utiliza resistencias de película metálica y condensadores de poliestireno o polipropileno en los puntos más críticos del recorrido de la señal de audio. Todos los aspectos de este diseño han sido examinados al milímetro con el objetivo último de conseguir una fiel reproducción de la música.

El RA-01 es un aparato fácil de instalar y el manejo de sus principales funciones no tiene por qué comportar ningún problema. Si usted ya está experimentado en el manejo de componentes de audio estereofónicos, en principio no debería encontrar nada que le resultara especialmente complicado durante la puesta a punto inicial del mismo. Basta con que conecte el resto de componentes de su equipo y disfrute con su música preferida.

Algunas Precauciones

ADVERTENCIA: Para evitar que se puedan producir daños en su equipo, apague TODOS los componentes del mismo cuando conecte o desconecte las cajas acústicas o cualquier otro elemento. No vuelva a poner en marcha el equipo hasta que esté seguro de que todas las conexiones hayan sido correctamente ejecutadas. Preste particular atención a los cables de conexión a las cajas acústicas, procurando que no haya conductores sueltos de uno de ellos que puedan tocar los cables correspondientes a otras cajas acústicas del equipo o el chasis del amplificador.

Le rogamos que lea cuidadosamente el presente manual de instrucciones. Además de las instrucciones básicas de instalación y puesta a punto del RA-01, incluye información de gran valor sobre las diferentes configuraciones que permite el aparato, así como información general que le ayudará a optimizar las prestaciones de su sistema. Le rogamos asimismo que contacte con su distribuidor autorizado de Productos Rotel para cualquier duda o consulta. No le quepa la menor duda de que todos sus comentarios y observaciones serán bien recibidos.

Guarde el embalaje del RA-01 y todo el material en él contenido para un posible uso futuro del mismo. El embalaje o transporte del RA-01 en condiciones diferentes de las originales puede dañar seriamente el aparato.

Rellene y envíe la tarjeta de garantía suministrada con el RA-01. Asegúrese asimismo de mantener en su poder la factura de compra puesto que es la mejor manera de que usted se acuerde de la fecha de compra, un dato esencial en caso de que necesite asistencia técnica durante el período de garantía.

Colocación

Al igual que todos los componentes de audio que manejan señales de bajo nivel, el RA-01 puede verse afectado por su entorno. Evite colocar otros componentes encima del RA-01 ya que ello impedirá a este último disipar el calor que genera. Asimismo, no coloque el RA-01 encima de otros componentes y evite situar los cables que transporten señales de audio cerca de los de alimentación ya que de este modo se minimizará la posibilidad de que se capten zumbidos o interferencias.

El RA-01 genera calor durante su funcionamiento normal. Tanto los disipadores térmicos como las ranuras de ventilación de su cubierta superior han sido diseñados para evacuar este calor. Las ranuras de ventilación de la cubierta superior deben permanecer siempre despejadas. Debería haber unos 10 centímetros de espacio libre alrededor del chasis y una razonable corriente de aire a lo largo del lugar en que haya sido instalado el amplificador para evitar el sobrecalentamiento de este último.

Tenga igualmente en cuenta el peso del amplificador cuando seleccione una ubicación determinada para su instalación. Asegúrese por tanto de que la estantería o mueble elegido pueda soportarlo. Le recomendamos que instale el RA-01 en muebles diseñados específicamente para albergar componentes de audio. Dichos muebles están concebidos para reducir o suprimir vibraciones que pueden afectar negativamente a la calidad del sonido. Consulte a su distribuidor autorizado de productos Rotel para que le aconseje acerca de los muebles más adecuados para su equipo y sobre la correcta instalación en los mismos de sus componentes de audio.

Cables

Asegúrese de que los cables de alimentación, digitales y de modulación de su equipo estén alejados entre sí ya que de este modo se minimizarán las posibilidades de que la señal de audio se vea afectada por ruido o interferencias procedentes de los cables digitales o de alimentación. El uso sistemático de cables apantallados de alta calidad también contribuirá a prevenir la entrada de ruido o interferencias susceptibles de degradar la calidad sonora de su equipo. Si tiene alguna pregunta que realizar al respecto, le recomendamos que visite a su distribuidor autorizado de productos Rotel para que le aconseje los cables más adecuados para su sistema.

Alimentación y Control

Entrada de Corriente Eléctrica 19

El RA-01 no drena una cantidad de corriente considerable de la red eléctrica. Aún así, siempre que fuera posible debería ser conectado directamente a una toma de corriente polarizada de 2 clavijas. No utilice ningún tipo de cable de extensión. Puede utilizarse una base de enchufes de alta calidad siempre y cuando esté (y también, por supuesto, la toma de corriente ubicada en la pared de su casa) preparada para manejar la corriente exigida por el RA-01 y el resto de componentes a él conectados.

Su RA-01 está configurado en fábrica para que trabaje con la tensión de red correcta que corresponda al país en que haya sido comprado (115 ó 230 voltios de corriente alterna con una frecuencia de 50 ó 60 Hz). Dicha configuración está indicada en un lugar visible del panel posterior del aparato.

NOTA: En caso de que tuviese que desplazar su RA-01 a otro país, es posible reconfigurarlo para que pueda trabajar con tensiones de red diferentes de la establecida en fábrica. No intente llevar a cabo esta conversión por su cuenta. El acceso al interior del RA-01 le expone a tensiones peligrosas. Para cualquier información al respecto, le rogamos que contacte con personal cualificado o llame al departamento de asistencia técnica postventa de Rotel.

Si va a estar fuera de su casa durante un largo período de tiempo -por ejemplo las vacaciones de verano-, le recomendamos, como precaución básica, que desconecte su amplificador (así como el resto de componentes de audio y vídeo de su equipo) de la red eléctrica.

Conmutador 1 e Indicador Luminoso de Puesta en Marcha 2

Pulse el Conmutador de Puesta en Marcha del panel frontal para activar el RA-01. El Indicador Luminoso Power se activará para confirmarlo. Pulse de nuevo el Conmutador de Puesta en Marcha para desactivar el RA-01.

Diríjase al apartado "Toma para Señal de Disparo de 12 V" del presente manual para obtener más información sobre vías alternativas para la puesta en marcha y desconexión de otros componentes del equipo junto con el RA-01.

Conexiones de Entrada

[Ver Figura 2]

NOTA: Para evitar la presencia de ruidos susceptibles de ser apreciados tanto por usted como por sus cajas acústicas, asegúrese de que el sistema esté desconectado cuando usted esté realizando cualquier tipo de conexión de señal.

Entrada de Fono 13 y Conexión a Masa 12

Conecte el cable procedente del giradiscos a las entradas de fono correspondientes a los canales izquierdo y derecho. Si el giradiscos incluye un cable para la conexión a masa, conéctelo al terminal con fijación mediante tornillo situado a la izquierda de las entradas de Fono ya que ello contribuirá a prevenir que se produzcan ruidos y zumbidos molestos.

Entradas de Línea 14

Las entradas CD, Tuner y AUX del RA-01 son entradas "de línea" y sirven para conectar componentes tales como reproductores de discos compactos, grabadores/reproductores de videocasetes estereofónicos de Alta Fidelidad o NICAM, sintonizadores de radio, reproductores de LaserDisc o incluso la salida analógica de una mecánica de lectura CD-ROM.

Los canales Izquierdo ("Left") y Derecho ("Right") están claramente identificados y deberían ser conectados a los correspondientes terminales de las fuentes utilizadas. Los conectores correspondientes al canal Izquierdo son de color blanco, mientras que los del canal Derecho son de color rojo. Utilice cables de alta calidad equipados con conectores RCA para la conexión de cualquier fuente al RA-01. Consulte a su distribuidor autorizado de productos Rotel para que le aconseje sobre los cables a utilizar.

Conexiones para Grabador **15**

[Ver Figura 2]

Las entradas y salidas Tape pueden ser conectadas a cualquier componente de grabación/reproducción que acepte señales de entrada y salida analógicas estándar de nivel de línea, que por lo general suele ser una platina a casetes convencional.

Cuando conecte un componente de grabación al RA-01, recuerde que las **salidas** del grabador deben conectarse a las **entradas** tape del RA-01. De modo similar, las **salidas** tape del RA-01 deben ser conectadas a las **entradas** del grabador. Al igual que sucede con otras fuentes, asegúrese de conectar los canales Izquierdo y Derecho correspondientes a cada componente a los canales adecuados de los elementos asociados. Utilice cables de interconexión de alta calidad para evitar que se produzcan pérdidas en la calidad del sonido.

NOTA: Las Salidas Tape no son afectadas por los ajustes realizados por controles de Volumen, Balance o Tono. Asimismo, reciben una señal de nivel fijo.

Salidas Preamplificadas **16**

El RA-01 incluye un juego de salidas preamplificadas. La señal procedente de la fuente seleccionada con el Selector de Fuente de Entrada ("Function") está siempre presente en dichas salidas. Por lo general, estas salidas se utilizan para suministrar una señal a otro amplificador integrado o etapa de potencia que a su vez se utilizará para excitar cajas acústicas situadas en una ubicación remota.

NOTA: Los cambios en los ajustes realizados por los controles de Volumen, Balance o Tono afectan a la señal procedente de las Salidas Preamplificadas.

Salidas para la Conexión de las Cajas Acústicas **17 18** y Conmutador para la Selección de las Cajas Acústicas **4**

[Ver Figura 2]

El RA-01 incorpora dos pares de salidas para la conexión de cajas acústicas designados por "A" **17** y "B" **18**. Dichas salidas son controladas por el conmutador **4** que figura en el panel frontal del aparato.

Impedancia de las Cajas Acústicas

Si sólo se va a utilizar una de las dos parejas de cajas acústicas que pueden conectarse al RA-01, cada caja puede tener una impedancia nominal de hasta 4 ohmios. Por el contrario, si se van a utilizar simultáneamente las parejas de cajas acústicas A y B, cada caja debería tener una impedancia de 8 ohmios o más. Por lo general, la impedancia de las cajas acústicas es un parámetro bastante poco preciso, de modo que en la práctica muy pocas cajas acústicas presentarán problemas al RA-01. Para cualquier duda o cuestión que tenga al respecto, consulte con su distribuidor autorizado de productos Rotel.

Selección del Cable de Conexión a las Cajas Acústicas

Utilice un cable de dos conductores perfectamente aislado para conectar el RA-01 a las cajas acústicas. El tamaño y la calidad de dicho cable pueden tener un efecto audible sobre las prestaciones de la totalidad de su equipo. Un cable de conexión de calidad estándar funcionará pero es posible que provoque una disminución de la potencia de salida o una atenuación de la respuesta en graves, en particular si la longitud del mismo es elevada. En general, un cable más consistente mejorará la calidad del sonido. Para conseguir unas prestaciones óptimas, debería considerar la compra de cables de alta calidad especialmente diseñados para aplicaciones de audio. Su distribuidor autorizado de productos Rotel puede ayudarle a seleccionar los cables que vaya a utilizar en su sistema.

Polaridad y Puesta en Fase

La polaridad, es decir la orientación positiva/negativa de las conexiones correspondientes a cada caja acústica, y a la unión con el amplificador deben ser coherentes, de modo que todas las cajas acústicas del sistema estén en fase. Si la polaridad de una conexión es invertida por error, se producirá una fuerte caída de la respuesta en graves, así como una degradación perceptible de la imagen estereofónica global. Todos los cables están marcados de manera que usted pueda identificar fácilmente los dos conductores. Puede haber marcas o líneas impresas en el revestimiento aislante de un conductor. El cable también puede presentar un claro aislamiento al incorporar conductores de distintos colores (cobre y plata). También puede haber indicaciones de polaridad impresas en el revestimiento aislante. Identifique los conductores positivos y negativos y sea coherente con cada una de las conexiones del amplificador y las cajas acústicas.

Conexión de las Cajas Acústicas

Desconecte todos los componentes de su equipo antes de llevar a cabo la conexión de las cajas acústicas. El RA-01 incorpora terminales de conexión debidamente codificados (por colores) en su panel posterior. Estos terminales aceptan cable pelado, conectores de tipo cuchilla plana ("spade") o conectores de tipo banana doble (excepto en los países de la Comunidad Europea, donde su uso no está permitido).

Lleve el cable desde el RA-01 hasta las cajas acústicas y procure que posea la suficiente longitud para que pueda accederse sin ninguna restricción a los terminales de conexión de estas últimas. Si usted está utilizando conectores dobles de tipo banana, únalos primero a los cables y a continuación insértelos en la zona posterior de los terminales de conexión. En cualquier caso, las tuercas de fijación de dichos terminales deberían bloquearse girándolas en sentido horario.

Si está utilizando conectores de tipo cuchilla plana ("spade"), conéctelos en primer lugar a los cables. Si está colocando directamente cable pelado a los terminales de conexión a las cajas acústicas, separe los cables correspondientes a cada conductor y quite la parte superior del revestimiento aislante. Asegúrese asimismo de no cortar ninguno de los conductores propiamente dichos. Libre (girándolas en sentido contrario de las agujas del reloj) las tuercas de fijación hexagonales y a continuación coloque los conectores alrededor de los terminales de conexión a las cajas acústicas o el cable pelado en el orificio transversal que hay en los mismos. Gire en sentido horario las tuercas de fijación hexagonales para sujetar firmemente en su lugar el conector o el cable de conexión.

NOTA: Asegúrese de que no haya restos de cable que puedan tocar los cables o conductores adyacentes.

Salida de Auriculares 3

La salida de Auriculares ("PHONES") le permite conectar unos auriculares para escuchar música en la intimidad. Esta salida incluye una toma estereofónica estándar de 1/4". Si sus auriculares incorporan un tipo de clavija diferente, como por ejemplo una de tipo "mini" de 1/8", entonces necesitará el adaptador correspondiente. Contacte con su distribuidor autorizado de productos Rotel para que le aconseje al respecto. La conexión de unos auriculares no interrumpe la señal enviada a las salidas del RA-01. Utilice el Selector de Cajas Acústicas para desconectar estas últimas. El ajuste del selector Function controla la fuente que está escuchando. Sitúe el selector Function del panel frontal en la fuente que quiera escuchar.

NOTA: Puesto que la sensibilidad de las cajas acústicas y los auriculares puede variar mucho, reduzca siempre el nivel de volumen cuando conecte y desconecte estos últimos.

Controles de Audio

Control del Nivel de Volumen 8

Gire en sentido horario el control de volumen del panel frontal para aumentar el nivel de volumen o en sentido antihorario para reducirlo.

Control de Balance 9

El Control de Balance ajusta el balance izquierda-derecha del sonido reproducido. Normalmente, el control debería dejarse en su posición central. En algunas situaciones, por regla general cuando la posición de escucha principal no está centrada de forma ideal entre las cajas acústicas del equipo, puede ser necesario ajustar el control para conseguir un balance izquierda-derecha adecuado. La rotación del control en sentido antihorario desplaza el balance del sonido hacia la izquierda mientras que si se efectúa en sentido horario dicho balance se desplaza hacia la derecha.

Conmutador de Activación/Desactivación de los Controles de Tono 7

Cuando el conmutador Tone Switch está situado en la posición Off, los controles de Graves y Agudos (Controles de Tono) son eliminados del camino recorrido por la señal musical con el fin de garantizar un sonido lo más puro posible. Si no va a utilizar los controles de tono, deje el conmutador Tone Switch en su posición "Off". Sitúe el conmutador Tone Switch en la posición On si desea realizar ajustes con los Controles de Tono.

Controles de Graves y Agudos 5 6

Cuando el conmutador Tone Switch está situado en la posición On, la rotación de los Controles de Graves y Agudos ajusta el balance tonal del sonido. Gire los controles en sentido horario para aumentar el nivel de graves y/o agudos. Gírelos en sentido antihorario para disminuir el nivel de graves y/o agudos.

Un sistema de audio de altas prestaciones adecuadamente configurado produce el sonido más natural posible sin necesidad de realizar ajustes (o con ajustes mínimos) ni utilizar controles de tono. Por tanto, utilice los mencionados controles lo menos posible. Sea particularmente cuidadoso cuando aplique algún tipo de realce en la respuesta tonal (giro de los controles en sentido horario) puesto que ello provoca un incremento de la potencia de salida correspondiente a la zona alta y/o baja del espectro y por tanto de la carga soportada por el amplificador y las cajas acústicas.

Selector de la Fuente de Entrada 11

El control Function permite seleccionar la señal correspondiente a la fuente de entrada. La señal seleccionada por el citado control es la que usted oirá siempre y cuando el control Monitor esté situado en la posición Source (diríjase al siguiente apartado). La señal seleccionada por el control Function también se dirige a las Salidas Preamplificadas y a las Salidas de Grabación.

Control de Monitorización 10

Cuando el control Monitor esté situado en la posición Source, la señal que usted oiga —y que es dirigida a las Salidas Preamplificadas— es seleccionada por el control Function. Para escuchar la señal procedente de un grabador conectado a las entradas Tape, sitúe el control Monitor en la posición Tape. Cuando el control Monitor esté en la posición Tape, la señal procedente de la entrada Tape también es enviada a las Salidas preamplificadas.

La señal que se dirige a la salida Tape está siempre seleccionada por el control Monitor. Cuando esté realizando una grabación con un aparato que posea funciones de monitorización, podrá escuchar el sonido grabado situando el citado control en la posición Tape.

Toma para Señal de Disparo de 12 V

Algunos componentes de audio pueden ser activados automáticamente cuando reciben una "señal" de puesta en marcha de 12 voltios continuos. Las Tomas para Señal de Disparo de 12 V del RA-01 suministran la señal requerida para ello. Conecte componentes compatibles al RA-01 con ayuda de un cable terminado en una mini-toma de 3'5 mm.

Problemas y Posibles Soluciones

La mayoría de dificultades que suelen producirse en los sistemas de audio son el resultado de conexiones realizadas incorrectamente o ajustes inapropiados. En caso de que usted se encuentre con algún problema, aíse en primer lugar el área afectada, compruebe los ajustes de control realizados, determine la causa del fallo y haga los cambios necesarios. Si se ve incapaz de hacer funcionar de nuevo al RA-01, considere las sugerencias que le damos para las siguientes condiciones:

El Indicador Luminoso de Puesta en Marcha No Se Activa

El indicador luminoso de puesta en marcha debería activarse en el momento de conectar el RA-01 a una toma de corriente eléctrica y pulsar el Conmutador de Puesta en Marcha. En caso de que no se active, compruebe dicha toma con otro dispositivo eléctrico, como por ejemplo una bombilla, y asegúrese de que la misma no esté controlada por un conmutador situado en su posición Off.

Sustitución del Fusible

En el caso de que otro dispositivo eléctrico conectado a la toma anterior funcione correctamente y el indicador luminoso de puesta en marcha del RA-01 siga sin activarse cuando este último esté conectado a dicha toma y el Conmutador de Puesta en Marcha haya sido pulsado, significa que es muy posible que el fusible de protección interno del aparato se haya fundido. Si usted cree que ha sucedido esto, contacte con su distribuidor autorizado de productos Rotel para que le proporcione uno nuevo y se lo instale adecuadamente.

No Hay Sonido

Verifique la fuente de señal para asegurarse de que esté funcionando correctamente. Asegúrese de que los cables que van desde la fuente de señal a las entradas del RA-01 estén conectados adecuadamente. Asegúrese de que el selector Function coincida con la entrada adecuada. Compruebe el cableado entre el RA-01 y las cajas acústicas.

Características Técnicas

Potencia Continua de Salida (20-20.000 Hz, THD < 0'03%, 8 ohmios)	40 vatios/canal sobre 8 ohmios
Distorsión Armónica Total (20-20.000 Hz)	<0'03% a la potencia nominal, a la mitad de la misma o a 1 vatio
Distorsión por Intermodulación (60 Hz : 7 kHz, 4:1)	<0'03% a la potencia nominal, a la mitad de la misma o a 1 vatio
Respuesta en Frecuencia (todas las entradas)	
Entrada de Fono:	20-15.000 Hz, $\pm 0'3$ dB
Entradas de Línea:	10-40.000 Hz, ± 1 dB
Factor de Amortiguamiento (20-20.000 Hz, 8 ohmios)	180
Sensibilidad/Impedancia de Entrada	
Entrada de Fono:	2'5 mV/47 kohmios
Entradas de Línea:	150 mV/24 kohmios
Nivel de Entrada Máximo	
Entrada de Fono:	180 mV
Entradas de Línea:	5 V
Nivel/Impedancia de Salida del Preamplificador	1 V/470 ohmios
Rango de Actuación de los Controles de Tono	± 6 dB en 100 Hz/10.000 Hz
Relación Señal/Ruido (norma IHF/ponderación A)	
Entrada de Fono:	80 dB
Entradas de Línea:	100 dB
Alimentación	
Versión para EE.UU.:	115 voltios/60 Hz
Versión para Europa:	230 voltios/50 Hz
Consumo	220 vatios
Dimensiones (An x Al x P)	435x72x342 mm
Altura del Panel Frontal	60 mm
Peso Neto	5'9 kg

Todas estas especificaciones son correctas en el momento de la impresión del presente manual de instrucciones. Rotel se reserva el derecho a realizar modificaciones en las mismas sin previo aviso.

WAARSCHUWING: Om het risico op elektrische schokken of brand te vermijden: zorg dat het apparaat niet nat wordt. Verwijder de kast niet: er bevinden zich in het apparaat geen bedieningsorganen. Indien nodig waarschuw een bevoegd technicus!

EEN LAATSTE WAARSCHUWING: Om het risico op elektrische schokken te voorkomen: laat het apparaat gesloten. Iedere reparatie dient door een gekwalificeerde technicus verricht te worden.

Lees de gehele gebruiksaanwijzing. Voordat u met het apparaat gaat werken is het van groot belang dat u weet hoe u ermee om moet gaan en dat zo veilig mogelijk. Bewaar deze gebruiksaanwijzing op een plek, die u zich na verloop van tijd nog weet te herinneren.

De waarschuwingen op het apparaat en in de gebruiksaanwijzing zijn belangrijk, sla ze niet in de wind.

Als het apparaat vuil wordt, stof het dan af met een zachte droge doek, of maak gebruik van een stofzuiger. Gebruik nooit een oplosmiddel van welke soort dan ook.

Het apparaat moet dusdanig gebruikt worden, dat een behoorlijke koeling niet in het gedrang komt. Voorbeeldjes: Gebruik het apparaat niet op bed, sofa, plaid of andere onregelmatige oppervlakken, waardoor de ventilatiegaten geblokkeerd zouden kunnen worden. Ook het inbouwen in een te kleine ruimte kan een voldoende koeling in de weg staan, zorg dan ook voor een ruimte boven de versterker van zo'n 10 cm.

Het apparaat moet verre gehouden worden van warmtebronnen zoals: radiatoren en kachels, maar ook versterkers.

Het apparaat mag alleen aangesloten worden op het voltage zoals aangegeven op de achterkant, in dit geval 220 - 240 Volts 50 Hz.

Het apparaat dient alleen aangesloten te worden met de bijgeleverde netkabel, of een soortgelijke.

Maatregelen dienen genomen te worden, die de aarding en polarisatie van het apparaat niet te niet doen. Gebruik vooral geen verlengsnoeren.

De lichtnetkabel dient zo neergelegd te worden, dat er niet op getrapt kan worden of geklemd kan worden door scherpe voorwerpen. Vooral de aansluitpunten zijn belangrijk: de aansluiting in de wandcontactdoos en daar waar de kabel het apparaat binnengaat.

Wanneer het apparaat voor langere tijd niet in gebruik is, dient de lichtnetkabel uit het lichtnet verwijderd te zijn.

Het apparaat zal in service gegeven moeten worden wanneer één van de volgende situaties zich voordoet:

- Wanneer het netsnoer en/of steker beschadigd zijn.
- Wanneer er toch voorwerpen/vloeistof in het apparaat terecht zijn gekomen.
- Als het apparaat in de regen heeft gestaan.
- Als het apparaat niet normaal functioneert of een duidelijk afwijkend gedrag vertoont..
- Wanneer het apparaat gevallen is en/of de kast beschadigd is.

Plaats de versterker op een vaste, vlakke en stevige ondergrond. Plaats hem niet op een verrijdbare wagen die gemakkelijk om kan vallen.



Inhoud

Figure 1: De bedieningsorganen en de aansluitingen	3
Figure 2: Het aansluiten van de lijnbronnen, een opname/weergaveapparaat en de luidsprekers	4
Inhoud	30
Wij van Rotel	31
Aan de slag met de RA-01	31
Een paar voorzorgsmaatregelen	31
Een plek voor de RA-01	31
De bekabeling	31
Het aansluiten op het lichtnet	32
De lichtnetkabel 19	32
De aan/uitschakelaar 1 met bijbehorende indicator 2	32
Het aansluiten van de ingangen	32
De pick-up aansluitingen 13 met aardverbinding 12	32
De lijnniveau aansluitingen 14	32
De verbindingen maken met een opname/weergave apparaat 15	32
De voorversterker-uitgangen 16	32
De luidsprekeruitgangen 17 18 en luidspreker-keuzeschakelaar 4	32
Luidsprekerkeuze	32
Welke luidsprekerkabel?	33
Polariteit en fase	33
De luidsprekeraansluitingen	33
De hoofdtelefoonuitgang 3	33
De bedieningsorganen	33
De volumeregelaar 8	33
De balansregeling 9	33
De toonregeling aan/uit schakelaar "TONE" 7	33
De lage- en hogetonenregeling 5 6	33
De luisterkeuzeschakelaar "function" 11	33
Monitor control 10	34
De 12V TRIGGER uitgang 20	34
Wat te doen bij problemen?	34
De lichtnetindicator werkt niet	34
Het vervangen van de zekering	34
Hij geeft geen geluid	34
Technische gegevens	34

Wij van Rotel

Het is alweer meer dan 40 jaar geleden dat een familie met een gepassioneerde betrokkenheid bij muziek besloot om zelf geluidsapparatuur van onberispelijke kwaliteit te gaan vervaardigen onder de naam Rotel. Door de loop der jaren heen is die passie gebleven en het familiedoel om audiofielen en muziekliefhebbers voor aantrekkelijke prijzen topkwaliteit te bieden wordt door iedere Rotelmedewerker gesteund.

De technici werken als een hecht team al tweakend en luisterend totdat ieder nieuw produkt dat muzikale niveau heeft bereikt dat hun bij de aanvang voor ogen stond. Zij worden volkomen vrijgelaten in hun keuze van componenten, waar ze ook van de wereld vandaan moeten komen. In Rotel apparatuur kunt u condensatoren vinden uit Duitsland en Engeland of half geleiders uit Amerika en Japan, terwijl de ringkerntransformatoren in eigen huis worden vervaardigd.

Onze goede reputatie werd gevestigd door honderden waarderende testrapporten en vele onderscheidingen die wij hebben mogen ontvangen van mensen die uit professionele dag in dag uit naar muziek luisteren. Hun kritiek houdt ons bij de les: het vervaardigen van muzikale, betrouwbare en betaalbare apparatuur.

Door de aanschaf van dit produkt danken wij u voor het in ons gestelde vertrouwen en wensen wij u er veel en langdurig plezier mee.

Aan de slag met de RA-01

Wij danken u voor de aankoop van onze RA-01 versterker. Wij zijn ervan overtuigd, dat de muziek d.m.v. deze versterker ten gehore gebracht, voor u een jarenlange bron van plezier zal zijn.

De RA-01 is een topkwaliteit versterker met vele mogelijkheden. Hij is zo ontworpen dat hij de volledige dynamiek en de meest subtiële nuances van uw favoriete muziek met het grootste gemak kan weergeven. Om dit allemaal mogelijk te maken is de RA-01 uitgerust met een nauwkeurig geregelde voeding. Deze voeding is samengesteld uit een speciaal voor Rotel ontworpen ringkerntransformator en z.g. "split-foil" condensatoren. Zij zorgen voor de energie die nodig is om aan alle eisen van het muzieksignaal te kunnen voldoen. Het is een kostbare manier van versterkers maken, maar het is dan ook voor een goede zaak: muziek.

De beide circuits op de printboards zijn volkomen symmetrisch opgebouwd. Deze symmetrie zorgt ervoor dat de integriteit van het signaal gewaarborgd blijft. Bij ongelijke signaalwegen krijgt u nl. een licht tijdsverschil tussen het linker en rechter kanaal, met alle vervelende gevolgen van dien. In de signaalweg op de PCB's gebruiken wij uitsluitend metaalfilm-weerstanden en polystyreen- of polypropyleen condensatoren, want alle aspecten van dit ontwerp zijn maar met één doel voor ogen gemaakt: de natuurgetrouwe reproductie van muziek.

In zowel bediening als installatie is de RA-01 een recht toe recht aan ontwerp. Heeft u ervaring met andere apparatuur dan zal u dat spoedig ontdekken. De plugjes aansluiten, de stekker in het stopcontact en genieten maar.

Een paar voorzorgsmaatregelen

Toch wel belangrijk: Om onnodige schade aan uw installatie te voorkomen raden wij u aan om tijdens het aansluiten de apparatuur nog NIET aan te sluiten op het lichtnet. Controleer ook eerst voordat u de apparatuur aanzet of alles wel correct is aangesloten. Geef daarbij met name aandacht aan de luidsprekerverbindingen. Vooral verloren draadjes tussen de zwarte en rode klemschroef kunnen desastreus uitwerken op het functioneren van uw versterker.

Leest u vooral goed de gebruiksaanwijzing. Er staat behalve over het installeren en de bediening, belangrijke informatie in over de wijze waarop u de RA-01 in uw installatie moet inpassen alsmede algemene richtlijnen om het maximale uit uw audio-installatie te halen. Mocht u, ondanks onze pogingen om het u zo duidelijk mogelijk te maken, toch nog vragen hebben aarzel dan niet om met uw Rotel dealer contact op te nemen: hij heeft vast en zeker de antwoorden.

Bewaar als het even kan de verpakking. Altijd handig bij een eventuele verhuizing of wanneer het apparaat opgestuurd moet worden voor reparatie, want er is geen betere bescherming tijdens transport dan zijn eigen doos.

Wanneer u van de ongelofelijk lange garantie van 5 jaar wilt genieten moet u wel even uw garantiebewijs invullen, door uw dealer laten afstempelen, één deel opsturen naar de importeur en uw deel goed bewaren bij de nota van uw leverancier.

Een plek voor de RA-01

De plaats voor het apparaat moet vlak zijn, vrij van vocht, trillingen en hoge temperaturen. Stel het apparaat niet bloot aan directe zonnestralen en sluit het niet op in een niet geventileerde ruimte.

Wij raden u aan de RA-01 te gebruiken in een speciaal audiomeubel. Daarin kan hij op zijn eigen plank staan. Zet hem nooit op een eindversterker. Zodoende voorkomt u oververhitting, brom en interactie met andere componenten uit de hi-fi keten. Goede audiomeubels zijn stevig gemaakt en onderdrukken en verminderen daarmee valse resonanties, aartsvijand nummer 1 in een muziekinstallatie. U zou het niet zeggen maar een meubel kan dus in goede en kwade zin uw installatie danig beïnvloeden. Vraag uw ROTEL dealer om advies, hij weet er alles van!!

De bekabeling

Hou de lichtnet-, digitale- en analoge signaalkabels uit elkaar. Dit vermindert de kans dat het lichtnet of de digitale informatie invloed kan uitoefenen op het analoge signaal. Ook het gebruik van hoge kwaliteits verbindingskabels voorkomt signaalvervuiling van buitenaf. Als het goed is weet uw onvolprezen Rotel leverancier hier alles van.

Het aansluiten op het lichtnet

De lichtnetkabel 19

De RA-01 gebruikt nogal wat energie, daarom adviseren wij u het apparaat niet aan te sluiten via een verlengsnoer, maar rechtstreeks of via een hoogwaardig lichtnetfilter op het lichtnet. Check even of de groep waarop u uw hele installatie wilt aansluiten wel ruim genoeg gezekeerd is. Trek nooit de stekker uit de wandcontactdoos door aan het snoer te trekken.

Dit apparaat is ontworpen om aangesloten te worden op het lichtnet (220/230 Volts wisselspanning). Sluit het nooit aan op een lichtnet met een hoger voltage want dit kan moeilijkheden veroorzaken. Heeft u twijfel over het correcte voltage: het staat genoteerd op de sticker op de achterkant van het apparaat en op de doos, maar ook uw onvolprezen ROTEL-dealer weet het ongetwijfeld.

Extra informatie: Mocht u ooit moeten verhuizen naar een land met een ander voltage, dan is de versterker op dat andere voltage in te stellen. Doe deze operatie NIET zelf, maar laat hem verrichten door uw Rotel leverancier. Deze handelingen zijn voor een niet ingewijde niet van gevaar ontbloeit.

Als u van plan bent om langdurig van huis te zijn, adviseren wij u uw gehele beeld en geluidsinstallatie (dus ook de RA-01) van het lichtnet te ontkoppelen.

De aan/uitschakelaar 1 met bijbehorende indicator 2

Met het indrukken van de "POWER" toets op het front van de versterker, zet u het apparaat aan en gaat het lampje erboven branden. Bij nog een keer drukken gaat de RA-01 weer uit.

Wenst u nog andere componenten samen met uw RA-01 aan en uit te zetten, lees dan het hoofdstukje "De 12V triggeruitgang" hierover op pagina 41.

Het aansluiten van de ingangen

(zie figuur 2 voor het aansluiten)

Extra informatie: Het is zeer verstandig voor uw gehoor en luidsprekers dat, wanneer u signaalverbindingen maakt van welke aard dan ook, uw apparatuur UIT staat.

De pick-up aansluitingen 13 met aardverbinding 12

Verbindt de platenspeler met de "PHONO" ingangen van de RA-01. Let erop dat u links en rechts correct aansluit. Het (meestal) witte plugje is links en het rode is rechts. Sommige platenspelers hebben een z.g. aarddraad monteer deze achter het schroefje links van de schakelaar 12.

De lijnniveau aansluitingen 14

Kies bij het aansluiten van de verschillende bronnen op de RA-01 de juiste ingang: "CD", "DVD/VIDEO", "TUNER", "AUX 1 en 2" (alle lijningangen) voor het aansluiten van respectievelijk een cd-speler, een hi-fi videorecorder of dvd-speler, een audio/TV tuner en nog twee andere lijnbronnen.

"LEFT" en "RIGHT" staan uiteraard voor links en rechts, let u er wel op dat u dat, i.v.m. een correct stereobeeld, juist aan sluit. Wij adviseren u kabels van een beter type te gebruiken dan welke bij gemiddelde apparatuur wordt bijgeleverd. Vraag uw adviseur hierom.

De verbindingen maken met een opname/weergave apparaat 15

(zie figuur 2)

"TAPE" is een z.g. dubbelaansluiting: twee voor opname en twee voor weergave en werken op lijnniveau. Ze zijn bedoeld voor het aansluiten van opname-apparatuur, zoals een cassetdeck, een hi-fi video-, een minidisc- of een cd-recorder.

De "IN" aansluitingen zijn ingangen en bedoeld voor de uitgangen (weergave) van het betreffende apparaat. De "OUT" aansluitingen zijn uitgangen en bedoeld voor de ingangen (opname) van het apparaat. Ook hier staan "LEFT" en "RIGHT" voor links en rechts.

De voorversterker-uitgangen 16

Als extra is de RA-01 voorzien van voorversterkeruitgangen. Op deze uitgangen staat het signaal van de bron dat gekozen werd met de luisterkeuzeschakelaar "FUNCTION". U kunt dit signaal gebruiken om naar een andere versterker te sturen t.b.v. "bi-amping" of voor een muziekje in een andere ruimte.

Extra informatie: Veranderingen van de instellingen van de volumeregelaar, balans en de toonregeling hebben direct invloed op dit voorversterkersignaal.

De luidsprekeruitgangen 17 18 en luidsprekerkeuzeschakelaar 4

(zie figuur 2 voor het aansluiten)

De RA-01 bezit twee stel luidsprekeruitgangen: één stel genaamd "SPEAKER A" 17 en één stel genaamd "SPEAKER B" 18. U kunt ze naar behoefte in en uitschakelen met de keuzeschakelaar "SPEAKERS" 4.

Luidsprekerkeuze

Als u slechts één stel luidsprekers op de RA-01 wilt aansluiten mag de impedantie van deze luidsprekers 4Ω zijn. Als u echter twee stel luidsprekers tegelijkertijd op de RA-01 wilt gebruiken dan mag de impedantie van iedere individuele luidspreker niet lager zijn dan 8Ω. Hoewel de opgegeven impedantie van de meeste luidsprekers verre van precies is, zal de RA-01 weinig problemen hebben met de meeste luidsprekers. Heeft u vragen hierover: uw ROTEL-dealer is niet verder dan de telefoon.

Welke luidsprekerkabel?

We kunnen het wel van de daken schreeuwen: onderschat niet het belang van een goede luidsprekerverbinding. U kunt natuurlijk gewoon draad gebruiken, maar dat is zonde van uw kostbare aanschaf. Als u er niet zoveel aandacht aan wilt schenken koop dan in ieder geval kabel die zo dik mogelijk is. Uw versterker is echter meer waard: echte hoogwaardige luidsprekerkabel. Er zijn vele soorten en kwaliteiten, raadpleeg uw vakkundige Rotel leverancier, hij kan u van de juiste informatie over dit zeer belangrijke onderwerp voorzien.

Polariteit en fase

Zéér belangrijk: houdt u de fase in de gaten? Goed luidsprekerkabel is gemerkt hetzij met een tekst of met een kleur op een van de draden. Zorg dat de rode uitgang van de versterker ook met de rode of + van de luidspreker wordt verbonden. Er gaat niets stuk als u deze laatste handelingen verkeerd doet, maar de muziek gaat zo beroerd klinken!

Mocht u toch nog twijfels hebben over de juiste polariteit, dan hoeft u de draden van maar één luidspreker te verwisselen. Hoe herkent u de juiste polariteit? Zet de twee luidsprekers met de fronten ongeveer 7,5cm. tegenover elkaar. Speel een stukje muziek met veel lage tonen (b.v. orgel). De verbinding met de meeste lage tonen-reproductie is de juiste. Hoe komt dat: bij aansluiting "in fase" versterken de luidsprekers elkaar, maar "uit fase" heffen ze elkaars geluid op.

De luidsprekeraansluitingen

Zorg ervoor dat bij het aansluiten van de luidsprekers alle componenten uit staan. Voor de duidelijkheid is de RA-01 uitgerust met kleurcodeerde luidsprekeraansluitingen. U kunt er uw luidsprekerkabel al dan niet met contactmateriaal op aansluiten. Als u uw luidsprekers zonder pluggen o.i.d. aansluit, stript u dan ongeveer 1,5cm. van de luidsprekerkabel en steek deze door de aansluiting nadat u de knop van de uitgang heeft losgedraaid en draai deze dan weer (GOED) vast.

Zorg ervoor dat er geen losse draadjes uitsteken, deze kunnen sluiting veroorzaken. Gebruikt u de bekende vorkjes dan kunt u deze bevestigen achter de losgedraaide draaiknoppen. Draai ze weer goed, maar niet overdreven, vast. Herhaal deze handelingen voor alle vier de draden. Gebruikt u tegen de Europese regels toch luidsprekerpluggen dan kunt u die direct in het middengat van de aansluiting steken.

Extra informatie: Controleer zorgvuldig of u bij het monteren van de luidsprekerbekabeling geen sluiting maakt. Uw versterker vindt sluiting heel vervelend.

De hoofdtelefoonuitgang 3

Voor het solitair genieten hebben wij de RA-01 uitgerust met een hoofdtelefoonaansluiting ("PHONES") voor hoofdtelefoons met een 6 mm plug. Bezit u er een met een 3.5 mm plug, dan heeft u een verloopsnoetje nodig. Uw leverancier heeft er vast een. Plugt u een hoofdtelefoon in, dan worden de luidsprekers NIET automatisch uitgeschakeld. Gebruikt u daar de luidsprekerkeuzeschakelaar voor. Wat u te horen krijgt door de hoofdtelefoon wordt bepaald door de luisterkeuzeschakelaar ("FUNCTION") en/of de tape-afluister-schakelaar ("MONITOR"). Wenst u naar de bron te luisteren die aangesloten is op de tape-ingang dan zet u de tape-afluisterschakelaar op "TAPE". In alle andere gevallen laat u deze schakelaar op "SOURCE" staan en kiest u de bron met de luisterkeuzeschakelaar "FUNCTION".

Extra informatie: Omdat de gevoeligheid van luidsprekers en hoofdtelefoons nogal wat kan verschillen, adviseren wij u bij het inschakelen van een hoofdtelefoon het volume terug te draaien.

De bedieningsorganen

De volumeregelaar 8

De "VOLUME" regelaar regelt het volume van beide kanalen tegelijk: rechtsom vermeerderd en linksom vermindert het volume.

De balansregeling 9

Met de "BALANCE" regelaar kunt u de relatieve luidheid van de kanalen instellen. Rechtsom draaien doet het stereobeeld naar rechts verhuizen en linksom naar links. Is alles bij u ok en staat het stereobeeld goed gepositioneerd tussen de luidsprekers, dan staat deze regelaar in het midden.

De toonregeling aan/uit schakelaar "TONE" 7

Om een zo puur mogelijke weergave mogelijk te maken hebben we de toonregeling uitschakelbaar gemaakt. Wanneer de schakelaar "TONE" op "OFF" staat is dat het geval. Laat de schakelaar zo staan als u geen toonregeling gebruikt. Zet deze schakelaar op "ON" wanneer u de toonbalans wenst te beïnvloeden d.m.v. één van de toonregelaars.

De lage- en hogetonenregeling 5 6

Wanneer u de aan/uit schakelaar van de toonregeling op "ON" heeft staat kunt u d.m.v. de lage- en hogetonenregelaars de toonbalans beïnvloeden. Naar rechts draaien vanuit de middenstand vermeerderd het lage of hogetonen aandeel, naar links draaien vermindert het lage of hogetonen aandeel.

Een goed samengestelde hi-fi installatie klinkt meestal het best zonder ingrijpen middels de toonregeling. Gebruik deze dan ook met mate. Wees vooral voorzichtig met het rechtsom draaien u kunt daarmee uw versterker en luidsprekers danig van streek maken!

De luisterkeuzeschakelaar "function" 11

Met de luisterkeuzeschakelaar "function" kiest u de bron waarnaar u wenst te luisteren.

Monitor control 10

Wanneer de monitor control schakelaar zich in de Source positie bevindt, bepaalt de stand van de functie schakelaar naar welke bron u luistert, en welk signaal er op de "pre out" uitgang aangeboden wordt. Wenst u naar het apparaat te luisteren wat aangesloten is op de tape aansluiting, dan moet de monitor control schakelaar zich in de tape positie bevinden, dit signaal zal dan tevens op de "pre out" uitgang staan.

De 12V TRIGGER uitgang 20

Er bestaat apparatuur die middels een 12 volts triggersignaal op afstand aan/uit gezet kunnen worden. De aansluiting "12V TRIGGER OUT" geeft dat signaal. Wanneer u de RA-01 aanzet komt het signaal op deze aansluiting en brengt het betreffende component tot leven. Zet u de RA-01 weer uit dan gaat ook dat apparaat weer uit.

Wat te doen bij problemen?

Als er al problemen zijn, zijn deze meestal te wijten aan slechte verbindingen, slecht verbindingmateriaal of een verkeerde stand van de knoppen/schakelaars.

Controleer bij niet functioneren of alle schakelaars en knoppen in de juiste stand staan. Functioneert het één en ander niet zoals het moet, probeer dan door elimineren er achter te komen waar het probleem zit. Heeft u b.v. last van brom, controleer dan of dat altijd het geval is (een versterkerprobleem) of alleen bij een bepaalde bron (een probleem bij die bepaalde bron dus). Bent u echt niet in staat om geluid uit de RA-01 te krijgen, volgt u dan onderstaande suggesties:

De lichtnetindicator werkt niet

De lichtnet-indicator gaat branden zodra de RA-01 op het lichtnet is aangesloten en u het apparaat heeft aangezet. Doet de indicator het niet, controleer dan de lichtmetaansluiting waarop de RA-01 is aangesloten met een ander elektrisch apparaat, een schemerlamp o.i.d.

Het vervangen van de zekering

Ontdekt u met de schemerlampproef dat er wel degelijk spanning staat op de door u gebruikte wandcontactdoos en de lichtnet-indicator doet het nog steeds niet, dan kan de interne zekering van de RA-01 wel eens ter ziele zijn. Neem in dat geval contact op met uw handelaar, hij kan dat klusje zo voor u klaren.

Hij geeft geen geluid

Het indicator-lampje brandt wel, maar u hoort nog steeds niets. Controleer dan of de verbindingen tussen de gekozen bron en de RA-01 o.k. zijn. Controleer of de luister keuzeschakelaar "LISTENING" in de juiste stand staat. Hoe is de kwaliteit van de verbindingen tussen de RA-01 en de luidsprekers? Na al deze controles moet 'ie het doen. Zo niet: u weet uw steun en toeverlaat, uw Rotel leverancier, te vinden.

Technische gegevens

Continu vermogen (20-20.000 Hz. verv. < 0.03% bij 8Ω)	2x40 watts
Harmonische verv. (THD) (20-20.000Hz.)	< 0.03% bij vol vermogen half vermogen of 1 watt
Intermodulatievervorming (60 Hz:7 kHz, 4:1)	< 0.03% bij vol vermogen half vermogen of 1 watt
Frequentiebereik Pick-up ingang: Lijningangen:	20-15.000 Hz. ±0.3 dB 10-40.000 Hz. ±1 dB
Dempingsfactor (20-20.000 Hz. bij 8Ω)	180
Ingangsgevoeligheid/impedantie Pick-up ingang MM Lijningangen	2.5mV, 47kΩ 150mV, 24kΩ
Overbelasting Pick-up ingang (MM) Lijningangen	180 mV 5V
Voorversterkeruitgang/imp.	1V/470Ω
Toonregeling laag/hoog:	± 6 dB bij 100 Hz./10 kHz.
Signaal/Ruisverhouding (IHF A netwerk) Pick-up ingang MM Lijningangen	80dB 100dB
Netspanning (Europese uitvoering)	230Volts/50Hz.
Opgenomen vermogen	220 Watts
Afmetingen (bxhxd)	435x72x342mm.
Hoogte Voorpaneel (voor rackmontage)	60 mm
Netto gewicht	5.9kg

Gegevens en ontwerp zijn voorbehouden.

VIKTIGA SÄKERHETSINSTRUKTIONER

WARNING!

För att undvika elektriska stötar, brand m.m.

1. Skruva ej ur skruvarna ur höljet eller kabinettet.
2. Utsätt ej apparaten för väta eller fukt.
3. Ta aldrig i strömkabeln eller kontakten med blöta eller fuktiga händer.

WARNING! Gör ej egen service på apparaten. Anlita alltid behörig servicetekniker för service.

WARNING! Utsätt aldrig apparaten för fukt, väta eller i övrigt kladdiga vätskor. Tillåt ej främmande föremål i apparaten. Om apparaten utsätts för fukt, väta eller att främmande föremål kommer in, dra omedelbart ut nätsladden ur vägguttaget. Ta apparaten till behörig servicetekniker för översyn och nödvändig reparation.

Läs alla instruktioner före du ansluter eller använder apparaten. Behåll denna bruksanvisning så att du alltid kan återkomma till dessa säkerhetsföreskrifter.

Beakta alla varningar och säkerhetsföreskrifter i bruksanvisningen och på själva apparaten. Följ alla användarinstruktioner.

Använd endast torrt tygstycke för rengöring av utsidan av apparaten.

Använd 10 cm fritt utrymme runt om apparaten. Placera ej apparaten på en säng, soffa, filt, matta eller liknande material som kan blockera ventilationshålen. Om apparaten placeras i en bokhylla eller skåp skall det finnas utrymme för god ventilation.

Placera ej apparaten nära ett element eller liknande enheter som utvecklar värme.

Apparaten måste vara ansluten till ett vägguttag endast med det vottal som finns beskrivet på apparatens baksida (230V-240V, 50Hz).

Anslut apparaten till vägguttaget endast med medskickad strömkabel eller exakt motsvarande. Modifiera ej medskickad strömkabel. Ändra ej jord eller polaritet. Använd ej förlängningskabel.

Placera ej strömkabeln så att den kan bli utsatt för överkan, extrem värme eller i övrigt kan skadas. Lägg speciellt märke till var strömkabeln ansluts på baksidan av apparaten.

Strömkabeln skall vara urkopplad från vägguttaget om apparaten ej används under lång tid.

Avsluta omedelbart användandet av apparaten och låt behörig servicetekniker kontrollera den om:

- Strömkabelns kontakt eller kabel har skadats.
- Främmande föremål eller vätska kommit in i apparaten.
- Apparaten blivit utsatt för regn.
- Apparaten visar tecken på felaktig funktion.
- Apparaten har tappats eller i övrigt skadats.

Placera apparaten på en stabil yta som kan bära apparatens vikt. Placera ej apparaten på ett rörligt föremål som kan välta.



Innehåll

Figure 1: Funktioner och anslutningar	3
Figure 2: Anslutningar för ingångssignalerna och högtalarutgångarna	4
VIKTIGA SÄKERHETSINSTRUKTIONER	35
Om Rotel	36
Introduktion	36
Att tänka på	36
Placering	36
Kablar	36
Ström och strömfunktioner	36
Strömingång 19	36
Ström-knapp 1 och Ström-lampa 2	37
Anslutningar för signaler	37
Skivspelaringång 13 och Jordanslutning 12	37
Linjeingångar 14	37
Inspelingsanslutningar 15	37
Förstegsutgångar 16	37
Högtalarutgångar 17 18	
Högtalarväljare 4	37
Val av högtalare	37
Val av högtalarkabel.	37
Polaritet och fas	37
Högtalaranslutning	38
Hörlursutgång 3	38
Audiofunktioner	38
Volymkontrollen 8	38
Balanskontrollen 9	38
Tonswitch Av/På 7	38
Bas- och diskantkontroller 5 6	38
Funktionsväljare 11	38
Monitorfunktionen 10	38
12V TRIGGER Utgång 20	38
Felsökning	39
Strömlampan lyser ej	39
Säkringsbyte	39
Inget ljud	39
Specifikationer	39

Om Rotel

En familj med ett passionerat intresse för musik grundade Rotel för över 40 år sedan. Det utmynnade i egen tillverkning av HiFi-produkter med en kvalitet utan kompromisser. Genom alla år har denna passion för musik varit oförändrad och målet har alltid varit att producera prisvärda produkter för både audiofiler och musikälskare. Detta är också Rotels hela personal delaktiga i.

Rotels ingenjörer arbetar i team och har ett nära samarbete, de lyssnar på och finslipar varje ny produkt tills den når upp till deras krav på musikaliska kvalitet. De är fria att välja komponenter från hela världen i syfte att göra produkten så bra som möjligt. Kondensatorer från Storbritannien och Tyskland, halv-ledare från Japan och USA, medans nät-transformatorerna tillverkas i Rotels egna fabriker.

Rotels goda rykte för kvalitet har förtjänats genom hundratals tester och erkännanden från HiFi-industrins seriösaste recensenter som lyssnar på musik varje dag. Deras erkännande håller företaget Rotel troget sitt mål att ta fram produkter som är musikaliska, pålitliga och prisvärda.

Alla vi på Rotel är glada för att du valde Rotels produkt och hoppas att den kommer att ge dig många år av njutning och glädje

Introduktion

Tack för att du valde Rotel RA-01 Integrerad Stereoförstärkare. Väl använd i ett kvalitetssystem kommer den att ge dig många år av musikalisk njutning.

RA-01 är en komplett och högpresterande enhet. Alla områden gällande design, komponenter och funktionalitet har tagits tillvara för att ta fram det bästa ur musiken. RA-01 har en mycket kraftfull strömförsörjning som innehåller Rotels egna specialbyggda torodial transformator. Denna lågimpedanta strömförsörjning har stora kraftreserver att använda vilket gör att RA-01 lätt kan återge de mest krävande ljudsignaler som kan finnas i musiken. Denna typ av tillverkning är dyrare men mycket bättre för musiken.

Mönsterkortan är designade med "Symmetrical Circuit Traces". Detta garanterar att musikens kvalite bibehålls och trovärdigt återskapas. Kretskortan i RA-01 är försedda med resistorer av metallfilm och kondensatorer av polystyren eller polypropolen i de viktiga signalvägarna. Alla moment i tillverkningen har kontrollerats för att garantera den mest trovärdiga återgivningen av musiken.

Huvudfunktionerna på RA-01 är både enkla att installera och använda. Har du tidigare erfarenheter av HiFi-system kommer du inte att finna några konstigheter på RA-01. Anslut helt enkelt tillhörande HiFi-komponenter och njut av musiken.

Att tänka på

VARNING: För att undvika skador på ditt system, stäng av ALLA enheter i systemet när du ansluter eller kopplar ur högtalarna eller andra systemkomponenter. Starta inte upp systemet förrän du är säker på att alla anslutningar är korrekt gjorda. Kontrollera högtalaranslutningarna extra noga. Det får inte finnas några lösa trådar som kan komma i kontakt med andra trådar eller med förstärkarens chassi.

Vänligen läs den handbok noggrant. Den ger dig information om hur du bäst kombinerar RA-01 med ditt övriga system och hur du får ut det mesta av apparaten när det gäller ljudet. Kontakta din återförsäljare för Rotel om det är något du vill ha svar på. Alla vi på Rotel välkomnar dina frågor och synpunkter.

Spara kartongen och allt förpackningsmaterial till RA-01 för framtida behov. Att skicka eller flytta RA-01 i en annan förpackning kan skada apparaten allvarligt.

Spara ditt originalkvitto från köptillfället. Det är det bästa beviset för inköpsdatum som du kan behöva i händelse av service och garantianspråk.

Placering

Liksom andra apparater som hanterar lågnivåsignaler påverkas RA-01 av sin miljö. Undvik att placera RA-01 ovanpå en annan apparat. Undvik också att dra signalkablar nära strömkablar. Detta minimerar möjligheterna att kablarna fångar upp brum och andra störningar.

RA-01 alstrar värme även vid normal användning. Ventilationshålen är designade för att avlägsna denna värme. Ventilationshålen på ovasidan på apparaten måste vara öppna. Det måste finnas 10cm fritt utrymme runt om apparaten och tillräckligt med lufttillförsel för att förhindra att apparaten överhettas. Se till att apparatens vikt kan bäras av hyllan den skall placeras på. Vi rekommenderar att placera RA-01 i en möbel avsedd för audiokomponenter. Sådana möbler är tillverkade för att dämpa vibrationer som kan påverka ljudkvalité'n. Fråga din återförsäljare för Rotel för råd om HiFi-möbler och korrekt installation av audiokomponenter.

Kablar

Se till att hålla isär strömkablar, digitala signalkablar och vanliga audiokablar från varandra. Detta minimerar att de vanliga audiokablarna plockar upp störningar från strömkablarna eller de digitala kablarna. Genom att använda skärmade kvalitetskablar skyddar man signalen från yttre störningar som kan försämra ljudkvalité'n. Fråga din återförsäljare för Rotel för råd om de bästa kablarna för ditt system.

Ström och strömfunktioner

Strömingång 19

RA-01 drar inga höga nivåer av ström från vägguttaget. Dock skall du, om möjligt, ansluta strömkabeln direkt till vägguttaget utan förlängningskabel. En kraftig och godkänd fördelningsdosa kan användas om den kan hantera strömmen till RA-01 och de andra komponenterna i systemet.

Din RA-01 är fabriksinställd på rätt voltal för vad som gäller på den marknad som den är inköpt på (Europa 230V, 50Hz). Det finns en dekal på apparatens baksida som informerar om detta.

OBS! Om du skulle flytta din RA-01 till ett annat land, kan man konfigurera apparaten för ett annat voltal. Gör ej detta själv. Genom att öppna höljet på RA-01 utsätter du dig för farlig spänning. Ta kontakt med kvalificerad serviceverkstad för mer information.

Om du kommer att vara hemifrån längre än en månad, är det en lämplig försiktighetsåtgärd att koppla ur RA-01 ur vägguttaget, (liksom dina övriga audio- och videoprodukter), medans du är borta.

Ström-knapp **1** och Ström-lampa **2**

Tryck på frontpanelens Ström-knapp, (POWER-knappen), för att aktivera RA-01. Ström-lampan tänds när RA-01 är på. Tryck på Ström-knappen igen för att stänga av apparaten.

©Se mer i avsnittet om 12V TRIGGER-utgången om olika sätt att aktivera eller stänga av andra komponenter i ditt system med hjälp av RA-01.

Anslutningar för insignaler

[Se figur 2.]

OBS! För att förhindra höga ljudskrap varken du eller dina högtalare uppskattar, stäng alltid av systemet innan du gör nya anslutningar.

Skivspelaringång **13** och Jordanslutning **12**

Anslut kabeln från skivspelaren till motsvarande höger och vänster skivspelaringång (PHONO). Om skivspelaren har en jordkabel, anslut den till skruven till vänster om skivspelaringången. Jordkabeln hjälper mot brum och störningar.

Linjeingångar **14**

CD, Radio (Tuner) Extra ingången (AUX) på RA-01 kallas linjeingångar. Dessa används för att ansluta komponenter såsom CD-spelare, HiFi-video, radio, Laser Disc eller den analoga utgången från en CD-ROM spelare.

Höger kanal, (Right) och vänster kanal, (Left) skall anslutas till motsvarande kanaler på källkomponenter. De vänstra anslutningarna är vita och de högra är röda. Använd RCA-kablar av god kvalitet för att ansluta källor till RA-01. Kontakta din återförsäljare för Rotel för råd om kablar.

Inspelingsanslutningar **15**

[Se figur 2.]

Bandspelar in- och utgångarna kan anslutas till vilken inspelnings enhet som helst som accepterar analoga in- och utgångssignaler.

Kom ihåg att när man ansluter en inspelningsenhet till RA-01 skall man ansluta utgångarna från inspelningsenheten till RA-01s motsvarande ingångar. Motsvarande gäller, man ansluter inspelningsenhetens ingångar till RA-01s utgångar. Var noga med att ansluta apparatens högra och vänstra kanaler till motsvarande på RA-01. Använd kablar av god kvalite' för att undvika förluster i ljudkvalitet.

OBS! Bandspelarutgångarna påverkas inte av volym-, balans- eller tonkontroller. De tar emot en fast linjesignal.

Förstegsutgångar **16**

RA-01 har ett par förstegsutgångar. Ingångssignalerna som väljs med ingångsväljaren är alltid tillgänglig från dessa utgångar. Man använder dessa utgångar för att skicka en utsignal vidare till en annan förstärkare eller slutsteg för att driva ett par extra högtalare.

OBS! Ändring av volym, balans eller tonkontrollerna påverkar utsignalen från förstegsutgången.

Högtalarutgångar **17** **18**

Högtalarväljare **4**

[Se figur 2.]

RA-01 har två uppsättningar av högtalarutgångar benämnda "A", **17** och "B", **18**. Högtalarutgångarna regleras av omkopplaren **4** på frontpanelen.

Val av högtalare

Om endast ett par högtalare används kan högtalarna ha en impedans på 4 ohm. Vid tillfällen då både "A" och "B" högtalarna används skall alla högtalarna ha en impedans på 8 ohm eller mer. Högtalarnas impedansspecifikationer är aldrig exakta och väldigt få högtalare kommer att vara ett problem för RA-01. Tala med din återförsäljare för Rotel om du har några frågor.

Val av högtalarkabel.

Använd en skärmad och tvådelad högtalarkabel för att ansluta dina högtalare till RA-01. Storlek och kvalitet på högtalarkabeln har påverkan på ljudkvalite'n i ditt system. En standard kabel kan fungera men kan också minska på utsignalen och dämpa basåtergivningen, speciellt med långa kablar. Generellt gäller att ju större kabel desto bättre ljudåtergivning. För bästa resultat kan du investera i en kvalitetskabel. Din återförsäljare för Rotel kan hjälpa dig med val av högtalarkabel till ditt system.

Polaritet och fas

Polariteten, den positiva "+" / negativa "-", vägledningen för anslutningarna, måste vara rätt anslutna för att högtalarna skall vara i fas. Om polariteten i en anslutning är omvänd kommer basåtergivningen att minskas och att stereobilden blir felaktig. Alla kablar skall vara märkta för att du skall kunna identifiera rätt kabel. Det kan vara en färgmarkering eller en fasad kant på den ena kabeln som särskiljer dem åt. Det kan också vara en transparent kabel med olika färger på själva ledarna (koppar och silver). Var konsekvent när du ansluter kablarna, använd samma typ av markering på samma polaritet på högtalarna och förstärkaren.

Högtalaranslutning

Stäng av alla komponenter i ditt system innan du ansluter högtalarna. Högtalaranslutningarna på RA-01 kan anslutas med den skalade kopparkabeln, kontakter av gaffeltyp eller med banankontakter (ej i Europa).

Dra kabeln från RA-01 till högtalarna. Se till att det finns extra kabel som gör att du kan flytta komponenter för att komma åt anslutningarna på baksidan. Kontakterna skruvas medurs för att fästa kabeln i RA-01.

Om du använder terminalkontakter, anslut dem till kabeldelarna. Om du ansluter med skalade kablar direkt på anslutningen, separera kabeldelarna och skala av isoleringen. Var noga med att du inte skalar i själva koppartrådarna. Skruva upp högtalar-kontakterna på RA-01 moturs och anslut kontakten på kabeln eller den skalade kabeln runt själva skruven. Skruva högtalaranslutningen medurs för att fästa kabeln i RA-01.

OBS! Var noga med att det inte finns några lösa kabeltrådar som kan komma i kontakt med närliggande kablar.

Hörlursutgång 3

Hörlursutgången ger dig möjlighet att ansluta hörlurar för avskild lyssning. Utgången ansluts med en 1/4" stereoplugg. Om dina hörlurar har en annan typ av kontakt t.ex. en 1/8" miniplugg behöver du en adapterplugg. Kontakta din återförsäljare för Rotel för att få rätt adapterplugg. Anslutning av hörlurar stänger inte av ljudet i högtalarna. Använd högtalaromkopplaren för att stänga av signalen till högtalarna. Inställningen på funktionsväljaren och "Monitor" funktionen, (val av lyssningskälla), styr vilken källa som hörs i lurarna. För att lyssna på enheten som är ansluten till tape-ingången, sätt frontpanelens Monitor-ratt i "Tape"-läget. För alla andra ingångs-källor, sätt Monitor-ratten i "Source"-läget och välj lyssningskälla med frontpanelens funktionsväljare.

OBS! Eftersom känsligheten på högtalare och hörlurar skiljer sig åt, rekommenderar vi att alltid vrida ner volymen innan du ansluter eller kopplar ur hörlurarna.

Audiofunktioner

Volymkontrollen 8

Vrid volymratten medurs för att öka ljudvolymen eller moturs för att minska ljudvolymen.

Balanskontrollen 9

Balanskontrollen reglerar balansen mellan höger och vänster kanal på utsignalen. I normala fall skall balanskontrollen vara i mitten positionen. I vissa fall, speciellt när lyssningspositionen inte är i centrum av högtalarna måste man reglera detta för att få balans mellan höger och vänster kanal. Vrid kontrollen moturs och balansen justeras åt vänster. Vrid kontrollen medurs och balansen justeras åt höger.

Tonswitch Av/På 7

När tonswitchen är i Av-läget, (OFF), är tonkontrollerna, bas och diskant, urkopplade för att signalen skall gå opåverkad för bästa och renaste ljudåtergivning. Sätt tonswitchen i På-läget, (ON), om du vill använda tonkontrollerna.

Bas- och diskantkontroller 5 6

När tonswitchen är i På-läget, (ON), vrid på bas- och diskantkontrollerna för att reglera tonbalansen. Vrid ratten medurs för att öka bas och diskant. Vrid ratten moturs för att minska bas och diskant.

Ett korrekt installerat audiosystem förmedlar det mest naturliga ljudet med inget eller lite justering med tonkontrollerna. Använd dessa kontroller sparsamt. Var speciellt vaksam på när du vrider upp tonkontrollerna (medurs). Detta medför att du ökar effekten på bas- och diskantåtergivningen som belastar både högtalare och förstärkare.

Funktionsväljare 11

Med Funktionsväljaren väljer du vilken källa som du vill lyssna på och det är den valda källan som hörs om Monitorfunktionen är i läget "Source". (Se mer i följande stycke). Källan som är vald med Funktionsväljaren är också den signal som går ut till förstegets utgång och till bandspelarutgången.

Monitorfunktionen 10

När Monitorfunktionen är ställd i "Source"-läget hörs den källa som är vald med Funktionsväljaren. Det är också den signal som går till förstegets utgång. För att lyssna på en källa från en inspelningsenhet, (t.ex. bandspelar), sätt Monitorfunktionen i "Tape"-läget. När Monitorfunktionen är i Tape-läget går signalen från Tape-ingången också till förstegsutgången.

Signalen som går till Tape-utgången väljs alltid från Funktionsväljaren. När du gör en inspelning med en apparat som har en Monitorfunktion, kan du lyssna på ljudet som just spelats in genom att sätta Monitorfunktionen i Tape-läget.

12V TRIGGER Utgång 20

En del apparater i systemet kan aktiveras med en sk. 12V TRIGGER-signal, (aktivering Av/På), från RA-01. 12V TRIGGER-utgångarna på RA-01 kan generera en sådan aktiveringssignal. Anslut en kompatibel apparat till RA-01 med en kabel med en 3.5mm miniplugg. När RA-01 stängs av, avbryts TRIGGER-signalen och den anslutna apparaten stängs av.

Felsökning

De flesta problemen i ett audiosystem beror ofta på att anslutningar är felaktigt gjorda eller felaktig funktionsinställning. Om du stöter på problem, försök att lokalisera felet och kontrollera inställningar. Försök att hitta orsaken till felet och vidta nödvändiga förändringar. Om du inte kan få fram något ljud ur RA-01 så läs följande råd nedan på tänkta situationer:

Strömlampan lyser ej

Ström (Power)-lampan skall lysa när RA-01 är ansluten till ett vägguttag och Ström-knappen är intryckt. Om den inte lyser kontrollera vägguttaget med t.ex. en bordslampa för att avgöra om det finns ström tillgängligt. Kontrollera att vägguttaget inte är avstängt med en switch på annat ställe.

Säkringsbyte

Om andra komponenter fungerar i samma vägguttag, men strömlampan fortfarande inte lyser på RA-01, kan det betyda att den interna säkringen kan vara defekt. Om du tror att detta är fallet, kontakta din återförsäljare för Rotel för att få säkringen utbytt.

Inget ljud

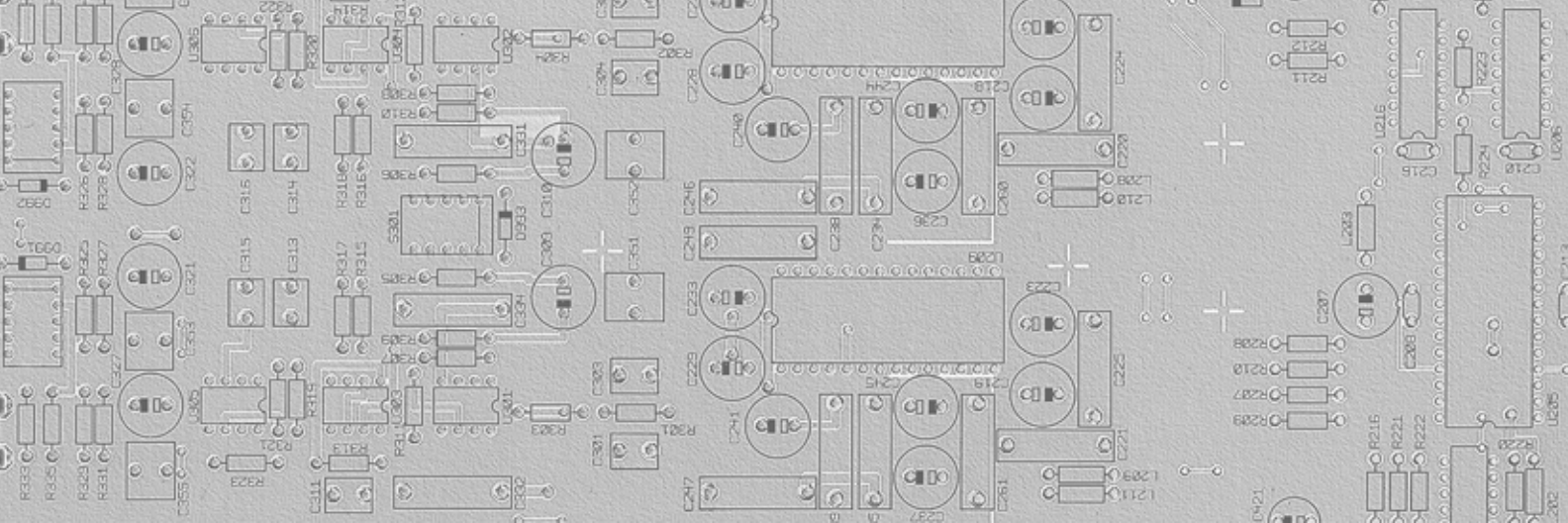
Kontrollera signalkällan (t.ex. CD-spelaren) för att se att den fungerar korrekt. Kontrollera att kablarna är korrekt anslutna till RA-01s ingångar. Kontrollera att funktionsväljaren är inställd på rätt lyssningskälla. Kontrollera att anslutningarna mellan högtalarna och RA-01 är korrekt gjorda.

Specifikationer

Kontinuerlig uteffekt (20-20 kHz, <0.03%, 8 ohm)	40 watt/kanal
Harmonisk distortion (20-20 kHz)	< 0.03% vid maximal effekt, halv effekt eller 1 Watt
Intermodulations distortion (60 Hz:7 kHz, 4:1)	< 0.03% vid maximal effekt, halv effekt eller 1 Watt
Frekvensomfång Phono ingång Linjeingångar	20Hz-15kHz, ±0.3dB 10Hz-40kHz, ± 1dB
Dämpfaktor (20-20.000 Hz, 8 ohm)	180
Ingångskänslighet / Impedans Phono ingång Linjeingångar	2.5mV / 47k Ohm 150mV / 24k Ohm
Ingångsbelastning Phono ingång Linjeingångar	180mV 5V
Försteg Utnivå / Impedans	1V / 470 Ohm
Tonkontroller Bas / Diskant	± 6dB vid 100Hz / 10kHz
Signal / Brus förhållande Phono ingång Linjeingång	80 dB 100 dB
Strömförsörjning	230 Volt, 50 Hz (CE versionen)
Strömförbrukning	220 watt
Dimensioner (B x H x D)	435 x 72 x 342 mm
Frontpanelens höjd	60 mm
Vikt	5.9 kg

Alla specifikationer är korrekta vid tid punkten de trycks.

Rotel reserverar sig för framtida förändringar utan vidare meddelande.



ROTEL

The Rotel Co. Ltd.
10-10 Shinsen-Cho
Shibuya-Ku
Tokyo 150-0045
Japan

Phone: +81 3-5458-5325
Fax: +81 3-5458-5310

Rotel of America
54 Concord Street
North Reading, MA 01864-2699
USA

Phone: +1 978-664-3820
Fax: +1 978-664-4109

Rotel Europe
Dale Road
Worthing, West Sussex BN11 2BH
England

Phone: +44 (0)1903 221 600
Fax: +44 (0)1903 221 525

Rotel Deutschland
Kleine Heide 12
D-33790 Halle/Westf.
Germany

Phone: +49 05201-87170
Fax: +49 05201-73370

www.rotel.com

082 OMRA-01 032902

English • Français • Deutsch • Italiano • Español • Nederlands • Svenska